

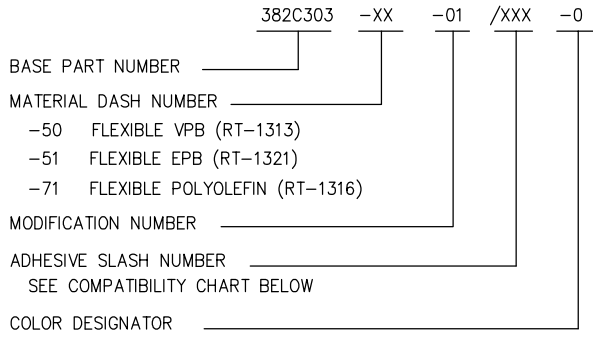
NOTES

- ALL DIMENSIONS ARE IN $\frac{\text{INCHES}}{[\text{MILLIMETERS}]}$
- DIMENSIONS APPEARING IN TABLE ARE AS FOLLOWS:
 - a - AS SUPPLIED
 - b - AFTER UNRESTRICTED RECOVERY

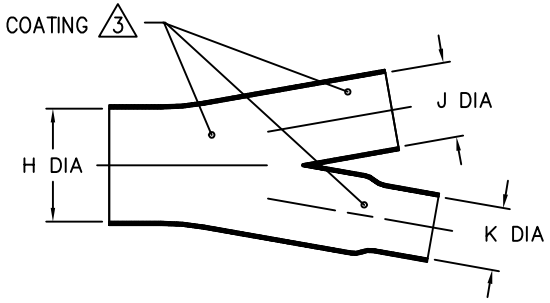
3 COATING (ADHESIVE): IS OPTIONAL AS SUPPLIED DIMENSIONS APPEARING IN TABLE ARE FOR UNCOATED PARTS. WHEN COATING IS ADDED, ENTRY DIAMETER WILL BE REDUCED BY .06 MAX.

4 WALL THICKNESS WILL NOT BE MEASURED IN TRANSITION AREA.

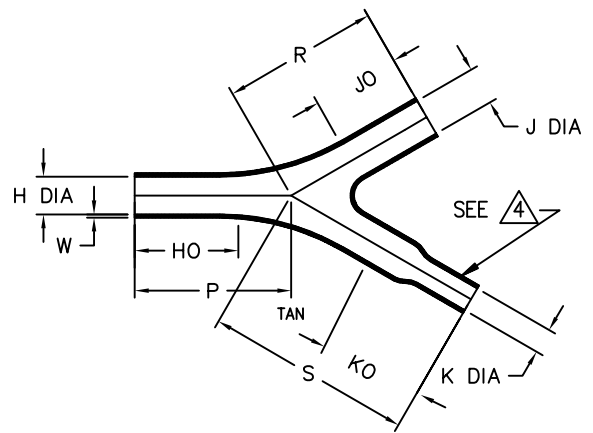
5. ORDERING INFORMATION:



| REVISIONS | | |
|-----------|---------------|------------|
| LTR | DESCRIPTION | DATE |
| B | ECO-09-012689 | 05/25/2009 |



AS SUPPLIED



AFTER UNRESTRICTED RECOVERY

TABLE OF DIMENSIONS

| PART DESCRIPTION | H | | J | | K | | P & R | S | HO & JO | KO | W |
|------------------|-----------------------|----------------------|-----------------------|----------------------|----------------------|---------------------|-----------------------|-----------------------|-----------------------|-----------------------|---------------------|
| | MIN | MAX | MIN | MAX | MIN | MAX | REF | REF | MAX | REF | REF |
| | a | b | a | b | a | b | b | b | b | b | b |
| 382C303-X-01 | <u>2.37</u> [60,2] | <u>.79</u> [20,1] | <u>1.58</u> [40,1] | <u>.79</u> [20,1] | <u>.50</u> [12,7] | <u>.20</u> [5,1] | <u>2.48</u> [63,0] | <u>3.73</u> [94,7] | <u>1.00</u> [22,1] | <u>2.50</u> [63,5] | <u>.06</u> [1,5] |

If this document is printed it becomes uncontrolled. Check for the latest revision

CUSTOMER DRAWING

COMPATIBILITY CHART

| MATERIAL DASH NO. | ADHESIVE (COATING) SLASH NO. | ADHESIVE (COATING) S NO. |
|-------------------|------------------------------|--------------------------|
| -50 | | |
| -51 | /164 | S-1124 |
| -71 | | |

UNLESS OTHERWISE SPECIFIED DIMENSIONS ARE INCHES. METRIC DIMENSIONS ARE IN BRACKETS.
 DECIMAL TOLERANCES
 .XXX ± 0.005 [0.13 mm]
 .XX ± 0.01 [0.25 mm]
 .X ± 0.1 [0.50 mm]
 ANGLE TOLERANCE
 .X ± 1 DEG.

DRAWN
YUNGUYEN
APPROVED
JKUSTER

Tyco Electronics Raychem Molded Parts
 305 Constitution Dr
 Menlo Park, CA 94025

TITLE
SLIMLINE TRANSITION,
Y-SHAPE

THIRD ANGLE PROJECTION

SIZE B CODE IDENT. NO. 06090 DWG. NO. 382C303-X-01