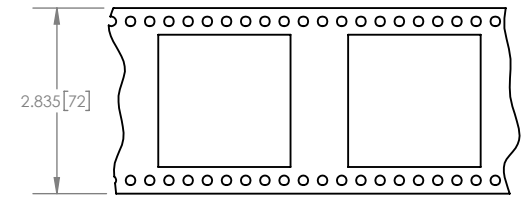
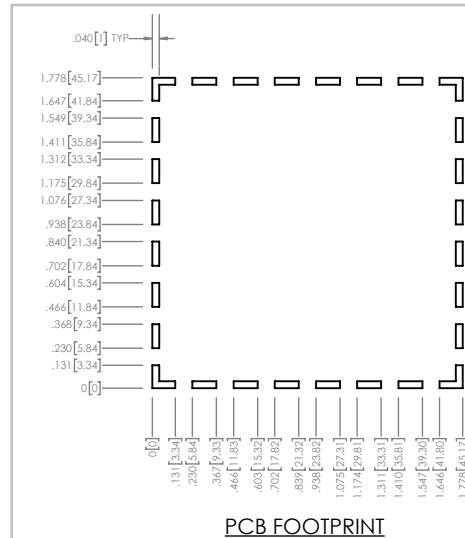
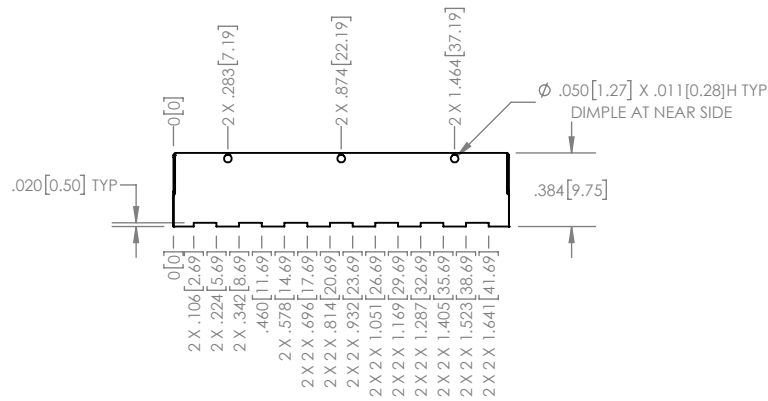
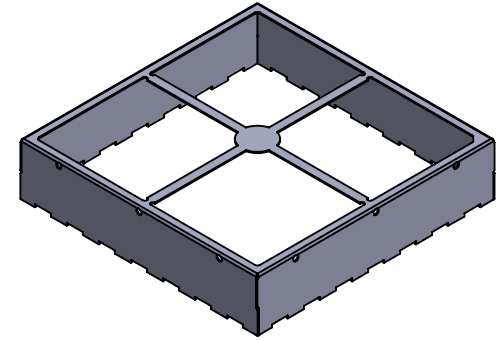
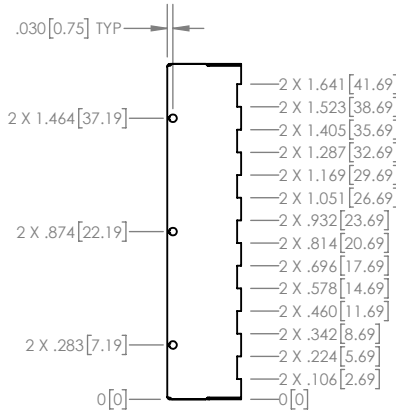
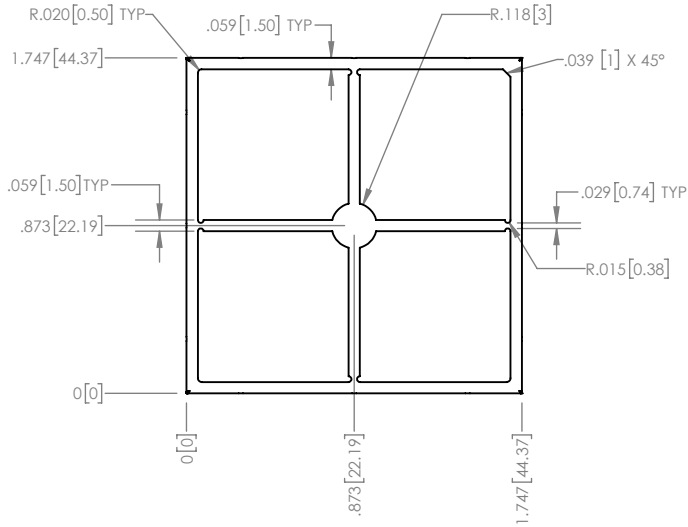


NOTES:

1. MATERIAL: 0.008" TIN PLATED STEEL PER ASTM A623/A624
2. PARTS PER REEL: 80



TAPE AND REEL

PCB FOOTPRINT

PROPRIETARY NOTICE: THESE DRAWINGS, LISTS OR SPECIFICATIONS ARE THE CONFIDENTIAL INFORMATION AND/OR TRADE SECRETS OF 3G SHIELDING SPECIALTIES (P), AND ARE SUBJECT TO STRICT CONFIDENTIALITY EXCEPT AS AUTHORIZED BY 3G SHIELDING SPECIALTIES IN WRITING. IN SUCH DRAWINGS, LISTS OR SPECIFICATIONS SHALL NOT BE REPRODUCED, REFRASHESED, REPT FOR THE DESIGN, MANUFACTURE OR SALE OF EQUIPMENT OR USED FOR ANY OTHER PURPOSES WITHOUT THE WRITTEN EVALUATION.

UNLESS OTHERWISE SPECIFIED  
U/M TOLERANCE  
INCHES ±0.005

ROHS  
COMPLIANCE  
2011/65/EU

DATE 16-01-26



PART NUMBER  
**PIC-S-207F**

REV.  
**0**

DESCRIPTION SHIELD FRAME

SCALE 1:1 SHEET 1 OF 1