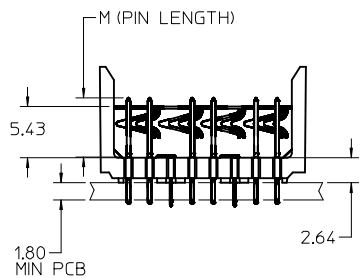
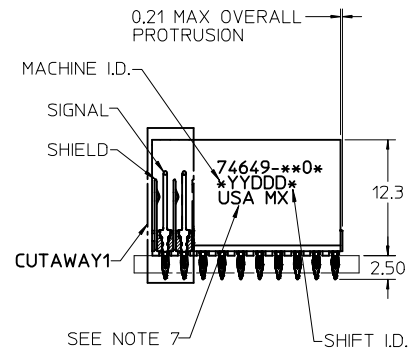


**BACKPLANE HOLE PATTERN
RECOMMENDED DIMENSION**

NOTES:

1. MATERIAL:
HOUSING -LIQUID CRYSTAL POLYMER (LCP), GLASS-FILLED. UL 94V-0. COLOR BLACK. SIGNAL PIN & SHIELD -HIGH PERFORMANCE COPPER ALLOY.
2. FINISHES:
CONTACT AREA: SELECTIVE GOLD (Au)
PCB TAILS: SELECTIVE MATTE TIN (Sn)
NICKEL (Ni) OVERALL.
3. THIS PART CONFORMS TO MOLEX PRODUCT SPECIFICATION PS-74031-999.
4. FOR MIXED CONTACT MATING LENGTHS CONSULT MOLEX FOR AVAILABILITY.
5. FOR SPECIFIC PART NUMBERS AND MATING INFORMATION REFER TO SHEET 2.
6. PACKAGE PER PK-74060-003.
7. EITHER MARK PART NUMBER AND DATE CODE APPROXIMATELY WHERE SHOWN OR PLACE LABEL ON THE TUBE.
8. MAPS (MOLEX ADVANCED PLATING SYSTEM).



UPDATE TABLE EC NO: UCP2014-3396 IDRWNSVANG01 2014/02/14 CHKD:MWOLFE 2014/02/14 APPR:SMILLER 2014/02/25	DESCRIPTION REV	$\nabla = 0$ $\nabla = 0$ $\nabla = 0$	QUALITY SYMBOLS	GENERAL TOLERANCES (UNLESS SPECIFIED)	DIMENSION STYLE MM ONLY	SCALE 2.5:1	DESIGN UNITS METRIC	THIRD ANGLE PROJECTION
		4 PLACES \pm --- \pm --- 3 PLACES \pm --- \pm --- 2 PLACES \pm 0.25 \pm --- 1 PLACE \pm 0.38 \pm --- 0 PLACE \pm \pm	mm INCH DRAWN BY DATE MOWANG 2001/05/21 CHECKED BY DATE JLAURX 2001/05/25 APPROVED BY DATE CBIXLER 2001/05/25	TITLE HSD SALES ASSEMBLY 8 ROW ADVANCED MATE OPEN END BACKPLANE	MATERIAL NO. SEE SHEET 2	DOCUMENT NO. SD-74649-003	SHEET NO. 1 OF 2	
		ANGULAR $\pm 1/2^\circ$ DRAFT WHERE APPLICABLE MUST REMAIN WITHIN DIMENSIONS	SIZE C	THIS DRAWING CONTAINS INFORMATION THAT IS PROPRIETARY TO MOLEX INCORPORATED AND SHOULD NOT BE USED WITHOUT WRITTEN PERMISSION				
		molex						

MATERIAL NUMBER ASSIGNMENT

74649-***0*

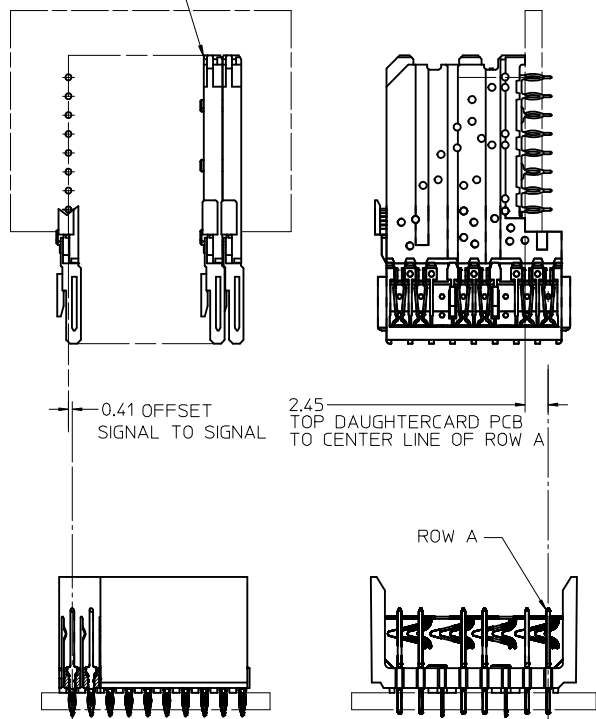
- 11 = 10 COLUMN MATTE TIN (FORMERLY TIN/LEAD)
- 26 = 25 COLUMN MATTE TIN (FORMERLY TIN/LEAD)
- 61 = 10 COLUMN MATTE TIN (MAPS)
- 76 = 25 COLUMN MATTE TIN (MAPS)
- 91 = 10 COLUMN MATTE TIN
- 86 = 25 COLUMN MATTE TIN

PIN HEIGHT / PLATING

- 1-4 = 0.25 or 0.76 GOLD
- 6-9 = 1.27 GOLD

- 1 & 6 = 4.75
- 2 & 7 = 6.25
- 3 & 8 = 4.25
- 4 & 9 = 5.15

DAUGHTERCARD
CONNECTOR SIDE



PART NUMBER	COLUMN	NUMBER OF SIGNAL PIN	NUMBER OF SHIELD	A	B	M	GOLD THICKNESS MICROMETER	TIN THICKNESS MICROMETER
74649-6101	10	60	10	20.00	18.00	4.75	0.25 MAPS	0.76-1.52
74649-*101							0.76	
74649-*106							1.27	
74649-7601	25	150	25	50.00	48.00	4.75	0.25 MAPS	
74649-*601							0.76	
74649-*606							1.27	
74649-6102	10	60	10	20.00	18.00	6.25	0.25 MAPS	
74649-*102							0.76	
74649-*107							1.27	
74649-7602	25	150	25	50.00	48.00	6.25	0.25 MAPS	
74649-*602							0.76	
74649-*607							1.27	
74649-6103	10	60	10	20.00	18.00	4.25	0.25 MAPS	
74649-*103							0.76	
74649-*108							1.27	
74649-7603	25	150	25	50.00	48.00	4.25	0.25 MAPS	
74649-*603							0.76	
74649-*608							1.27	
74649-6104	10	60	10	20.00	18.00	5.15	0.25 MAPS	
74649-*104							0.76	
74649-*109							1.27	
74649-7604	25	150	25	50.00	48.00	5.15	0.25 MAPS	
74649-*604							0.76	
74649-*609							1.27	

SEE SHEET 1 EC NO: UCP2014-3396 DRAWN BY: MOWANG CHECKED BY: JLAURX APPROVED BY: CBIXLER DATE: 2014/02/14 DATE: 2014/02/14 DATE: 2014/02/25	QUALITY SYMBOLS □=0 □=0 □=0	GENERAL TOLERANCES (UNLESS SPECIFIED) mm INCH 4 PLACES ± --- ± --- 3 PLACES ± --- ± --- 2 PLACES ± 0.25 ± --- 1 PLACE ± 0.38 ± --- 0 PLACE ± ± ANGULAR ±1/2° DRAFT WHERE APPLICABLE MUST REMAIN WITHIN DIMENSIONS	DIMENSION STYLE MM ONLY	SCALE 2.5:1	DESIGN UNITS METRIC	THIRD ANGLE PROJECTION	
			DRAWN BY DATE MOWANG 2001/05/21	CHECKED BY DATE JLAURX 2001/05/25	TITLE HSD SALES ASSEMBLY 8 ROW ADVANCED MATE OPEN END BACKPLANE		
			APPROVED BY DATE CBIXLER 2001/05/25	MATERIAL NO. SEE TABLE		DOCUMENT NO. SD-74649-003	SHEET NO. 2 OF 2
			THIS DRAWING CONTAINS INFORMATION THAT IS PROPRIETARY TO MOLEX INCORPORATED AND SHOULD NOT BE USED WITHOUT WRITTEN PERMISSION				