

10

9

8

7

6

5

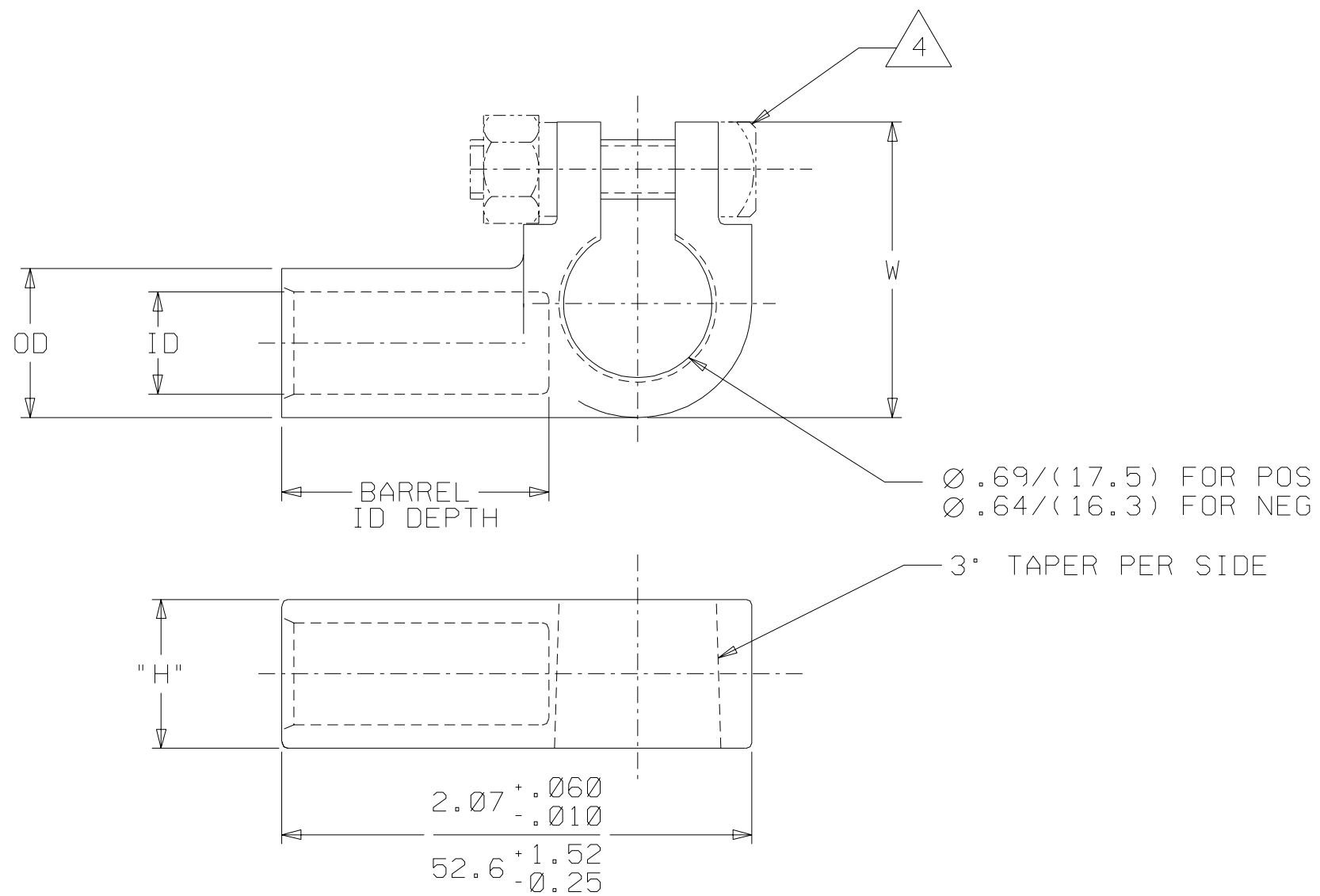
4

3

2

SD-19218-009

MATERIAL NUMBER NEGATIVE	ENGINEERING NUMBER NEGATIVE	MATERIAL NUMBER POSITIVE	ENGINEERING NUMBER POSITIVE	WIRE GAUGE	COLOR CRIMP	BARREL ID	BARREL OD	BARREL ID DEPTH + .030/0.76	"H"	"W" \ .020/0.51
192180142	SBTL10N	192180144	SBTL10P	1/0	BLACK	.46/(11.7)	.64/(16.3)	1.16/(29.5)	.65/(16.5)	1.50/(38.1)
192180146	SBTL20N	192180148	SBTL20P	2/0	ORANGE	.49/(12.4)	.64/(16.3)	1.16/(29.5)	.65/(16.5)	1.50/(38.1)
192180150	SBTL30N	192180152	SBTL30P	3/0	PURPLE	.52/(13.2)	.64/(16.3)	1.16/(29.6)	.65/(16.5)	1.50/(38.1)
192180154	SBTL40N	192180156	SBTL40P	4/0	YELLOW	.60/(15.2)	.83/(21.1)	1.07/(27.2)	.71/(18.0)	1.59/(40.4)



SALES DRAWING

- NOTES:
1. MATERIAL: I31 COPPER.
 2. FINISH: TIN PLATED.
 3. INCLUDES 5/16 BOLT & SHOULDER NUT
 4. 5/16 BOLT & SHOULDER NUT ARE REVERSIBLE.

NEW RELEASE EC NO. ETC2003-0166 DRWN: BRE 02/12/30 CHK: HEB 02/12/30 APPR: RWD 02/12/30	QUALITY SYMBOLS	MAJOR =0
	CRITICAL =0	
A	REV	

GENERAL TOLERANCES: (UNLESS SPECIFIED)	
mm	INCH
4 PLACES ±0.	±.
3 PLACES ±0.	±.
2 PLACES ±0.	±.010
1 PLACE ±0.25	±.
ANGULAR: ±1/2 °	
DRAFT WHERE APPLICABLE MUST REMAIN WITHIN DIMENSIONS	

SCALE NO: NE	DESIGN UNITS <input type="checkbox"/> mm <input checked="" type="checkbox"/> INCH
DRAWN BY & DATE DAY 98/12/14	
CHECKED BY & DATE RWD 98/12/14	
APPROVED BY & DATE RWD 98/12/14	
CAD FILENAME SD-19218-009.DGN	

DIMENSIONS: <input type="checkbox"/> mm <input checked="" type="checkbox"/> INCH <input type="checkbox"/> mm ONLY		SHT	REV
THIRD ANGLE PROJECTION		REVISE ON CAD ONLY	
TITLE: STANDARD BATTERY TERMINAL LEFT ELBOW			
MOLEX INCORPORATED			
MATERIAL NO. SEE CHART	DRAWING NO. SD-19218-009	SHEET NO. 1 OF 1	
THIS DRAWING CONTAINS INFORMATION THAT IS PROPRIETARY TO MOLEX INCORPORATED AND SHOULD NOT BE USED WITHOUT WRITTEN PERMISSION.			SIZE B

9

8

7

6

5

4

3

2

1