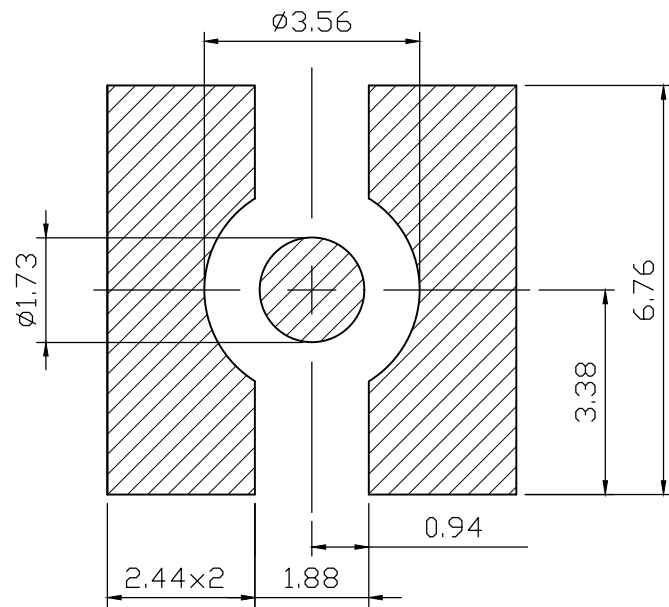
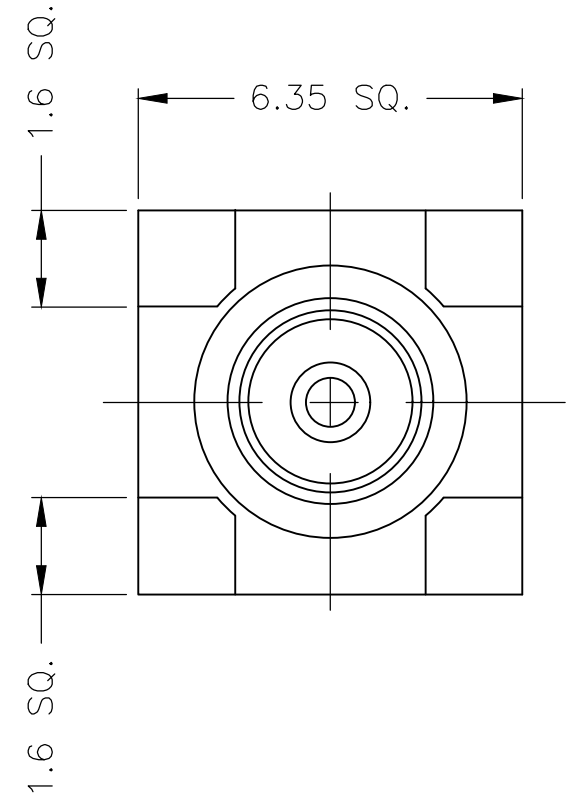
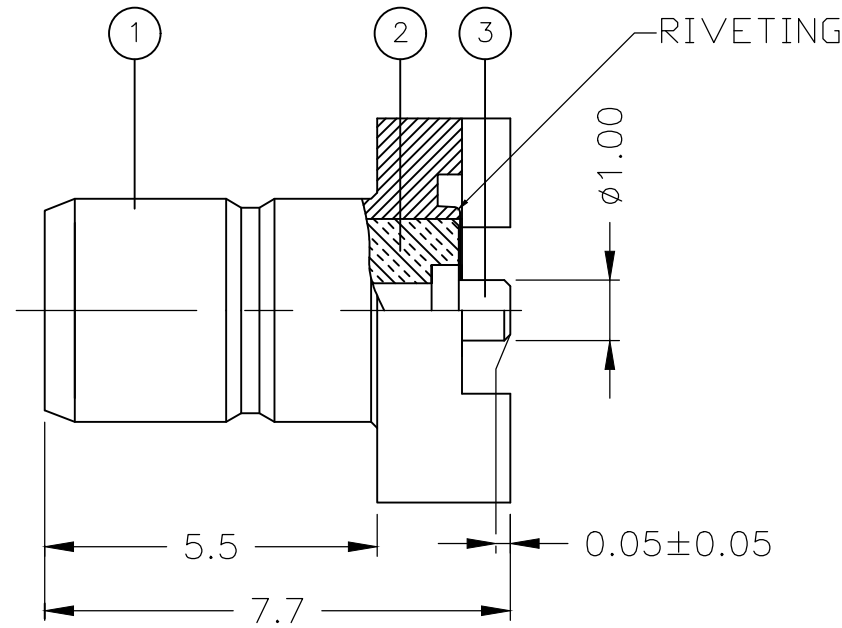


P	LTR	DESCRIPTION	DATE	DWN	APVD
	D1	REVISED PER ECR-20-013532	23SEP2020	ED	RS

NOTES:

- 1 SINGLE PACKING: ONE CONNECTOR PER LABELED BAG PACKAGED. LABELED PER TEC-107-115
- 2 TRAY PACKAGED
- 3 Au PLATING
- 4 ELECTRICAL CHARACTERISTICS
  - FREQUENCY RANGE: DC - 4 GHz
  - NOMINAL IMPEDANCE: 50 Ohm
  - INSULATION RESISTANCE: 1000 MOhm
  - WORKING VOLTAGE: 250 Volts RMS at Sea Level
  - DIELECTRIC WITHSTAND VOLTAGE: 750 Volts RMS Max
  - CONTACT RESISTANCE:
    - CENTRE CONTACT: 6.00 mOhm Max
    - OUTER CONTACT: 1.00 mOhm Max
- 5 MECHANICAL CHARACTERISTICS
  - DURABILITY: 500 Cycles Min
- 6 ENVIRONMENTAL CHARACTERISTICS
  - OPERATING TEMPERATURE: -65°C to +165°C



RECOMMENDED PCB LAYOUT

QTY	QTY PER ASSY	MATERIAL	DESCRIPTION	ITEM
1	1	BRASS	CONTACT	3
1	1	PTFE	INSULATION	2
1	1	BRASS	BODY	1
6--0	1--0	MATERIAL	DESCRIPTION	ITEM
QUANTITY PER ASSY		PARTS LIST		

THIS DRAWING IS A CONTROLLED DOCUMENT.		DWN	J.SANDWELL	13FEB06	<b>STE</b> TE Connectivity
		CHK	S.PARLOW	13FEB06	
		APVD	F.WHEELER-KING	13FEB06	
		PRODUCT SPEC			
DIMENSIONS: mm		TOLERANCES UNLESS OTHERWISE SPECIFIED:		NAME	
		0 PLC	± -	SMB SURFACE MOUNT STRAIGHT PCB SOCKET 50 OHM	
		1 PLC	± 0.2		
		2 PLC	± 0.1		
		3 PLC	± -		
MATERIAL		FINISH	APPLICATION SPEC		
SEE TABLE		-	-		
		WEIGHT	0.000000	SIZE	A3
		CUSTOMER DRAWING		CAGE CODE	00779
				DRAWING NO	C-1337604
				RESTRICTED TO	-
		SCALE	NTS	SHEET	1 OF 1
				REV	D1