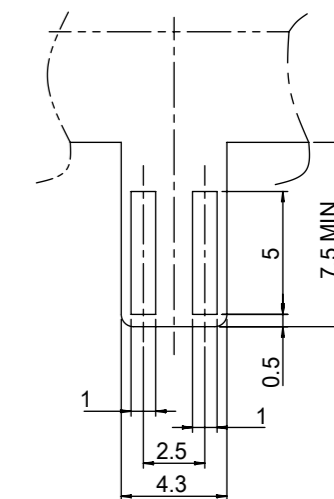
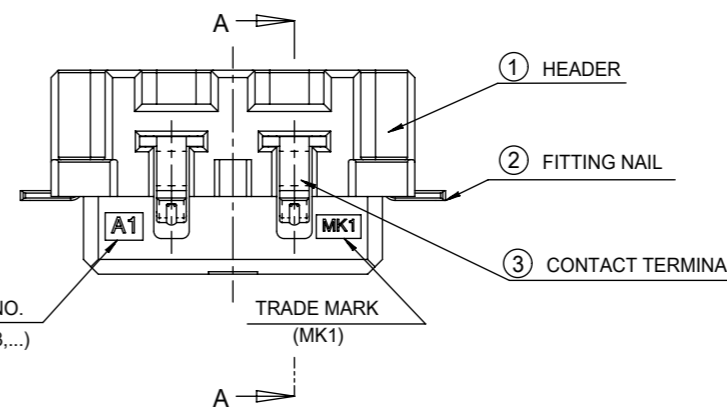
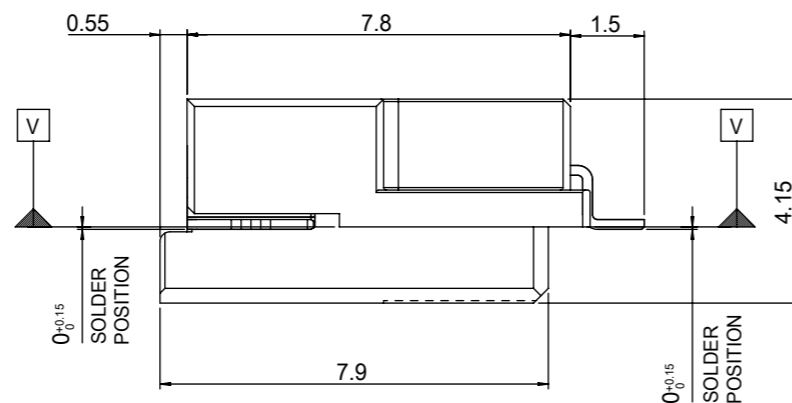
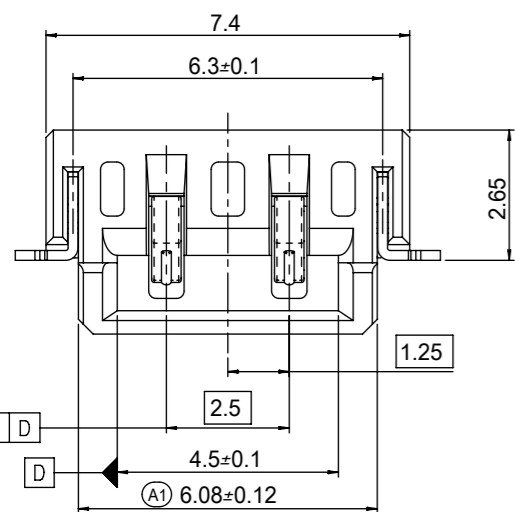


LED BAR PCB LAY OUT
GENERAL TOLERANCE : ±0.05
(S=1:2)



POWER BOARD PCB LAY OUT
GENERAL TOLERANCE : ±0.05
(S=1:2)

NOTE

1. MATERIALS

- ① - HEADER : LIQUID CRYSTAL POLYMER(LCP), GLASS FILLED, UL94V-0, HALOGEN FREE
- ② - FITTING NAIL : PHOSPHOR BRONZE, 0.2mm THICKNESS
- ③ - CONTACT TERMINAL : PHOSPHOR BRONZE, 0.2mm THICKNESS

2. FINISHES

- ② - FITTING NAIL :
PURE-TIN PLATING ON OVERALL. THICKNESS 3.0µm~5.0µm
UNDER PLATING Ni OVERALL. THICKNESS 1.25µm~3.75µm
- ③ - CONTACT TERMINAL :
PURE-TIN PLATING ON OVERALL. THICKNESS 3.0µm~5.0µm
UNDER PLATING Ni OVERALL. THICKNESS 1.25µm~3.75µm

3. PRODUCT SPECIFICATION : PS-104146-001

4. PACKAGING SPECIFICATION : PK-104146-001

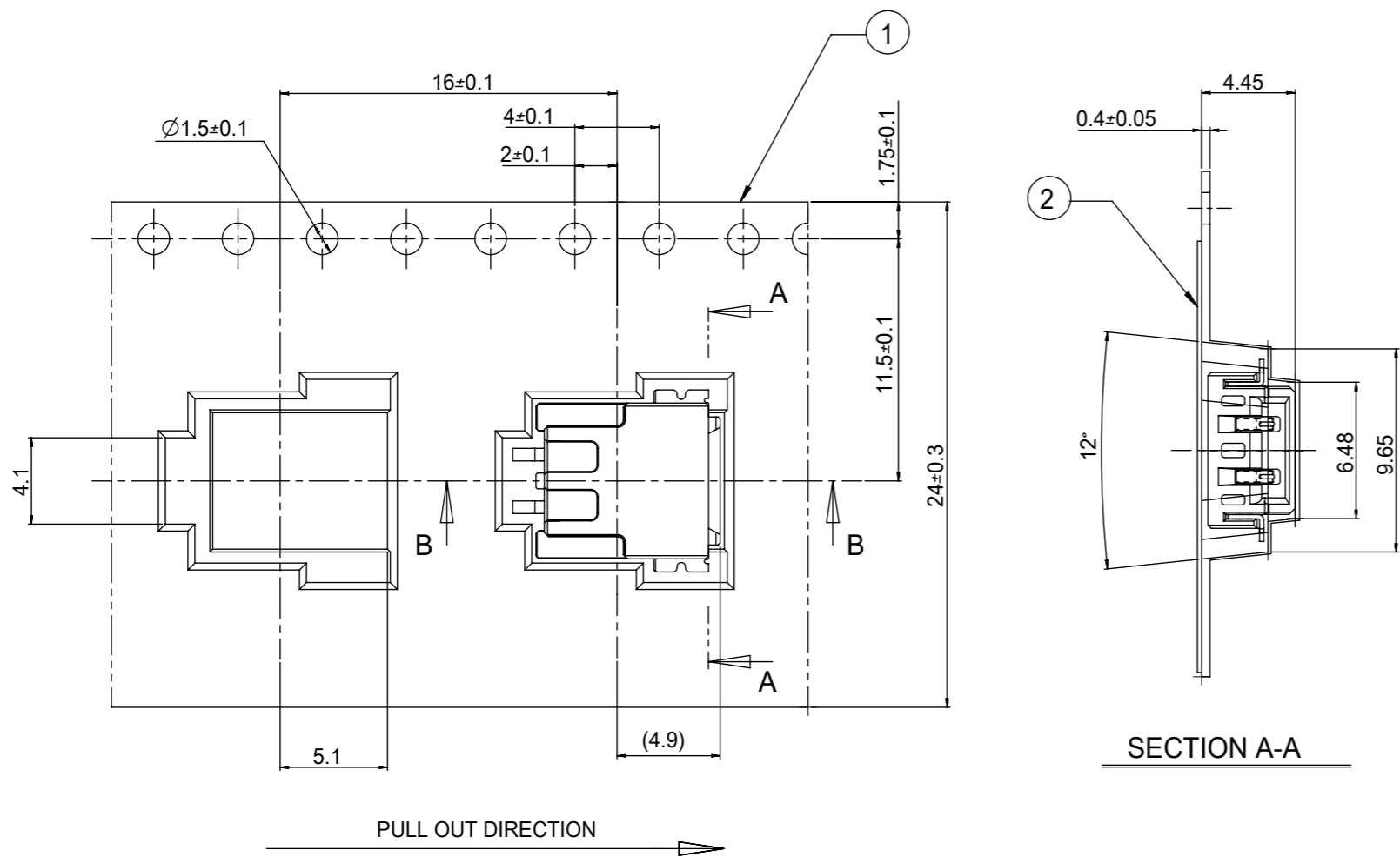
5. COPLANALITY OF SOLDER TAILS (PEAK TEMP. : 260°C),
BEFORE & AFTER REFLOW : 0.10MAX

[TABLE]

NO.	MATERIAL NO.	COLOR
1	104146-0210	NATURAL

SYMBOLS		THIS DRAWING CONTAINS INFORMATION THAT IS PROPRIETARY TO MOLEX ELECTRONIC TECHNOLOGIES, LLC AND SHOULD NOT BE USED WITHOUT WRITTEN PERMISSION		CURRENT REV DESC:			
▽ = 0	mm	SCALE	10:1	EC NO: 172806			
▽ = 0	GENERAL TOLERANCES (UNLESS SPECIFIED)		DRWN: JSSHIN		2018/02/23	2.5MM PITCH CONN. -2P (CARD EDGE TYPE) HEADER ASSY	
▽ = 0	ANGULAR TOL ± 1.0°		CHK'D: SHCHU		2018/02/27		
▽ = 0	4 PLACES ±		APPR: YSKIM02		2018/02/28	PRODUCT CUSTOMER DRAWING	
▽ = 0	3 PLACES ±		INITIAL REVISION:				
▽ = 0	2 PLACES ± 0.2		DRWN: JSSHIN		2012/04/16	DOCUMENT NUMBER SD-104146-001	
▽ = 0	1 PLACE ± 0.2		APPR: YSKIM02		2012/04/25		
▽ = 0	0 PLACES ±		DRAFT WHERE APPLICABLE MUST REMAIN WITHIN DIMENSIONS			MATERIAL NUMBER 1041460210	
▽ = 0	THIRD ANGLE PROJECTION		DRAWING		SERIES		
▽ = 0	A3-SIZE		104146		SHEET NUMBER	1 OF 1	

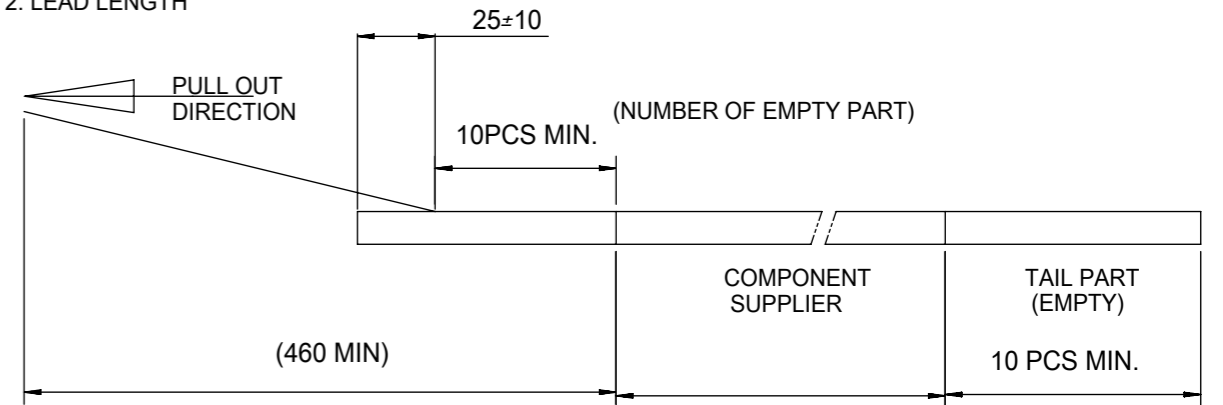
DOCUMENT STATUS	RELEASE DATE
-----------------	--------------



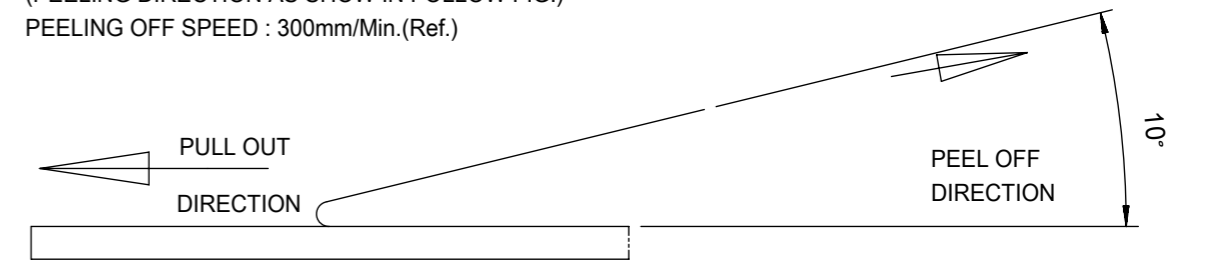
NOTES

1. QUANTITY OF CONNECTORS : 1,300 PCS/REEL

2. LEAD LENGTH

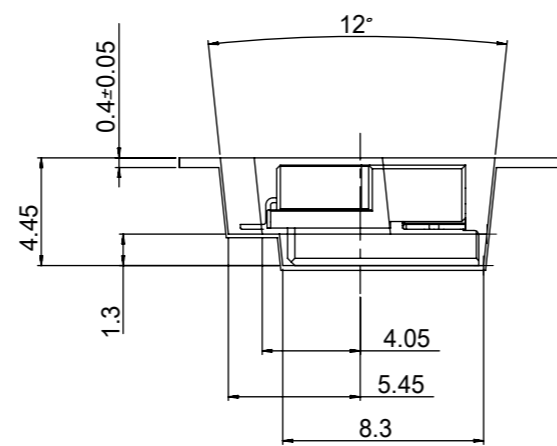


3. PEELING OFF FORCE OF COVER TAPE : $0.1N \sim 0.59N$ ($10.2GF \sim 60GF$)
 (PEELING DIRECTION AS SHOW IN FOLLOW FIG.)
 PEELING OFF SPEED : 300mm/Min.(Ref.)



4. FLASH IN ANY PORTION SHOULD BE LESS THAN 0.20mm MAX.
 5. UNLESS OTHERWISE SPECIFIED INNER R0.2 MAX
 6. DRAFT ANGLE 3°MAX

SECTION A-A

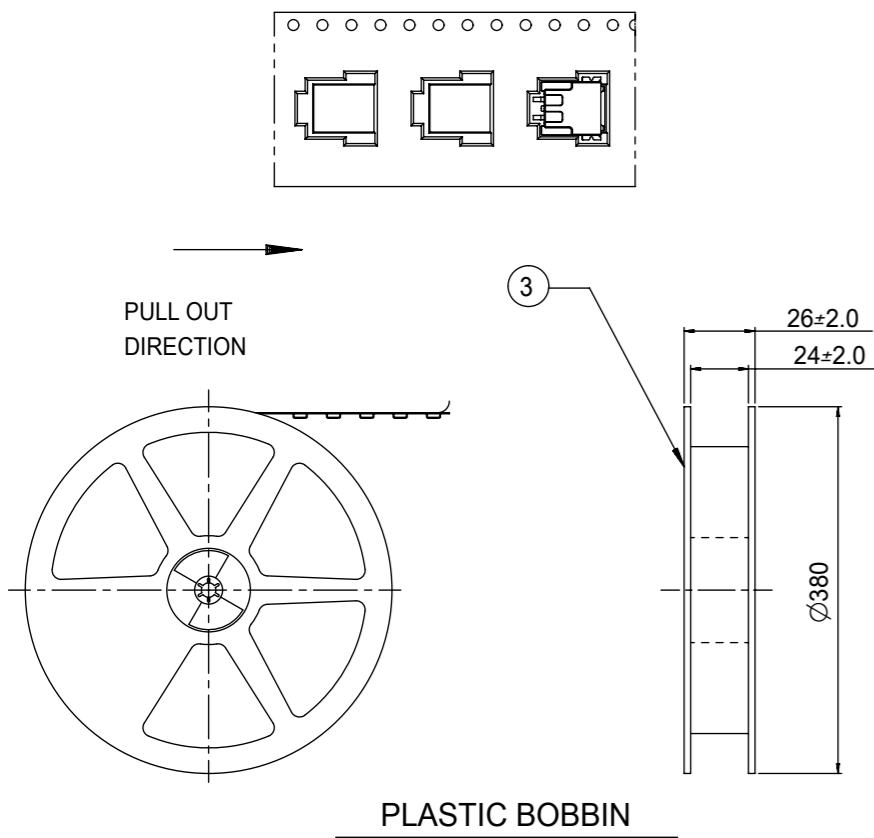


SECTION B-B

[TABLE]

104146-0210	NATURAL	24.0mm
MATERIAL NO.	COLOR	TAPE WIDTH

3	PLASTIC BOBBIN	HI P.S	WHITE
2	COVER TAPE	PET ANTISTATIC	21.3m
1	CARRIER (EMBOSSED) TAPE	PET ANTISTATIC	
NO.	DESCRIPTION	MATERIAL	REMARK



PLASTIC BOBBIN

THIS DRAWING CONTAINS INFORMATION THAT IS PROPRIETARY TO MOLEX ELECTRONIC TECHNOLOGIES, LLC AND SHOULD NOT BE USED WITHOUT WRITTEN PERMISSION			
SYMBOLS	DIMENSION UNITS	SCALE	CURRENT REV DESC:
$\nabla = 0$	mm	3:1	EC NO: 172806
$\nabla = 0$	GENERAL TOLERANCES (UNLESS SPECIFIED)		DRWN: JSSHIN 2018/02/23
$\nabla = 0$	ANGULAR TOL $\pm 3.0^\circ$		CHK'D: SHCHU 2018/02/27
$\nabla = 0$	4 PLACES \pm		APPR: YSKIM02 2018/02/28
$\nabla = 0$	3 PLACES \pm		INITIAL REVISION:
$\nabla = 0$	2 PLACES ± 0.2		DRWN: JSSHIN 2012/04/23
$\nabla = 0$	1 PLACE ± 0.2		APPR: YSKIM02 2012/04/25
$\nabla = 0$	0 PLACES \pm		
$\nabla = 0$	DRAFT WHERE APPLICABLE MUST REMAIN WITHIN DIMENSIONS	THIRD ANGLE PROJECTION	DRAWING SERIES MATERIAL NUMBER CUSTOMER SHEET NUMBER
$\nabla = 0$			A3-SIZE 104146 1041460210 GENERAL MARKET 1 OF 1

molex

2.5MM PITCH CONN. -2P
 (CARD EDGE TYPE) EMBOSSED PACKAGE

PRODUCT CUSTOMER DRAWING

DOCUMENT NUMBER: SD-104146-002
 DOC TYPE: PSD
 DOC PART: 001
 REVISION: A1