

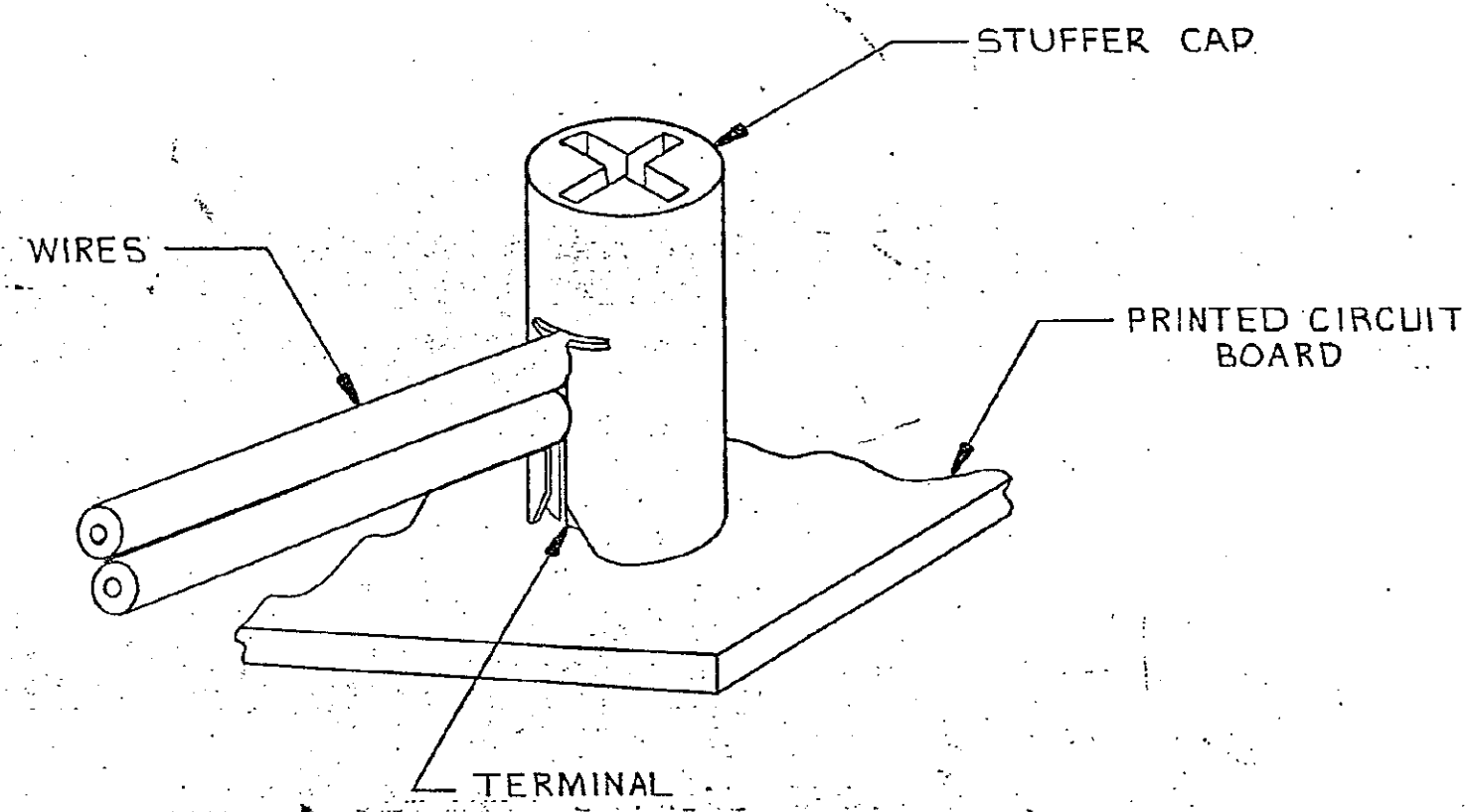
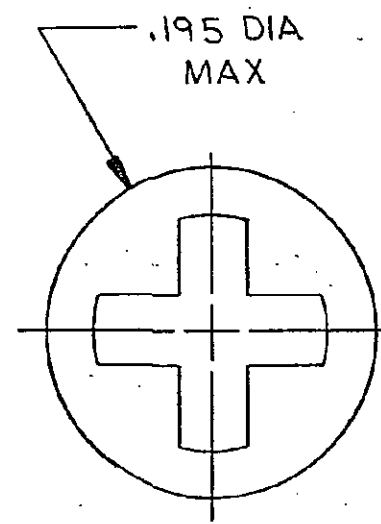
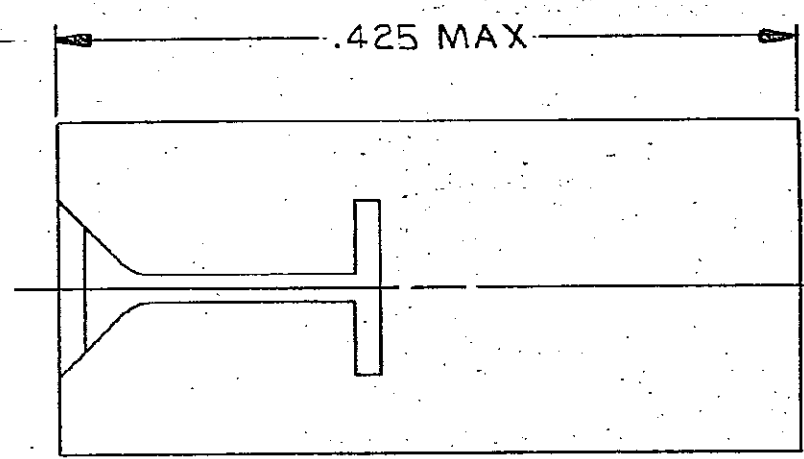
DRAWING MADE IN THIRD ANGLE PROJECTION

LOC AA DIST 27

© COPYRIGHT 1978 BY AMP INCORPORATED, HARRISBURG, PA.
ALL INTERNATIONAL RIGHTS RESERVED. AMP INCORPORATED PRODUCTS
COVERED BY U. S. AND FOREIGN PATENTS AND/OR PATENTS PENDING.

REVISIONS						
P	F	ZONE	LTR	DESCRIPTION	DATE	APPROVED
		E		OBS: 5/11/EC 0502-0222-96	5/11/79	03 RD

1. RECOMMENDED INSERTION TOOL: NO. 2 PHILLIPS SCREWDRIVER.



LOOSE PIECE	NATURAL YELLOW	552699	24-28	-3
PACKAGING	COLOR	TERM PART NO.	WIRE GAGE	PART NO
			18-22	230707-1

UNLESS OTHERWISE SPECIFIED DIMENSIONS ARE IN INCHES. TOLERANCES ON: DECIMALS ± ANGLES ±	CONTRACT NO	AMP INCORPORATED Harrisburg, Pa.
	DR: <i>Victor E. Slack</i> 12/29/78	
MATERIAL NYLON 6/6	CHK: <i>RE Reich</i> 1/2/79	NAME CAP, STUFFER, .125 DIA
FINISH	APPD: <i>V. Q. Vancian</i> 1-2-79	SIZE CODE IDENT NO DRAWING NO. C 00779 230707
	DSGN APPD	SCALE: 10-1
	OTHER APPD: <i>RE Reich</i> 1/2/79	SHEET 1 OF 1

A WAS 1222-77-27

230707

CUSTOMER DRAWING