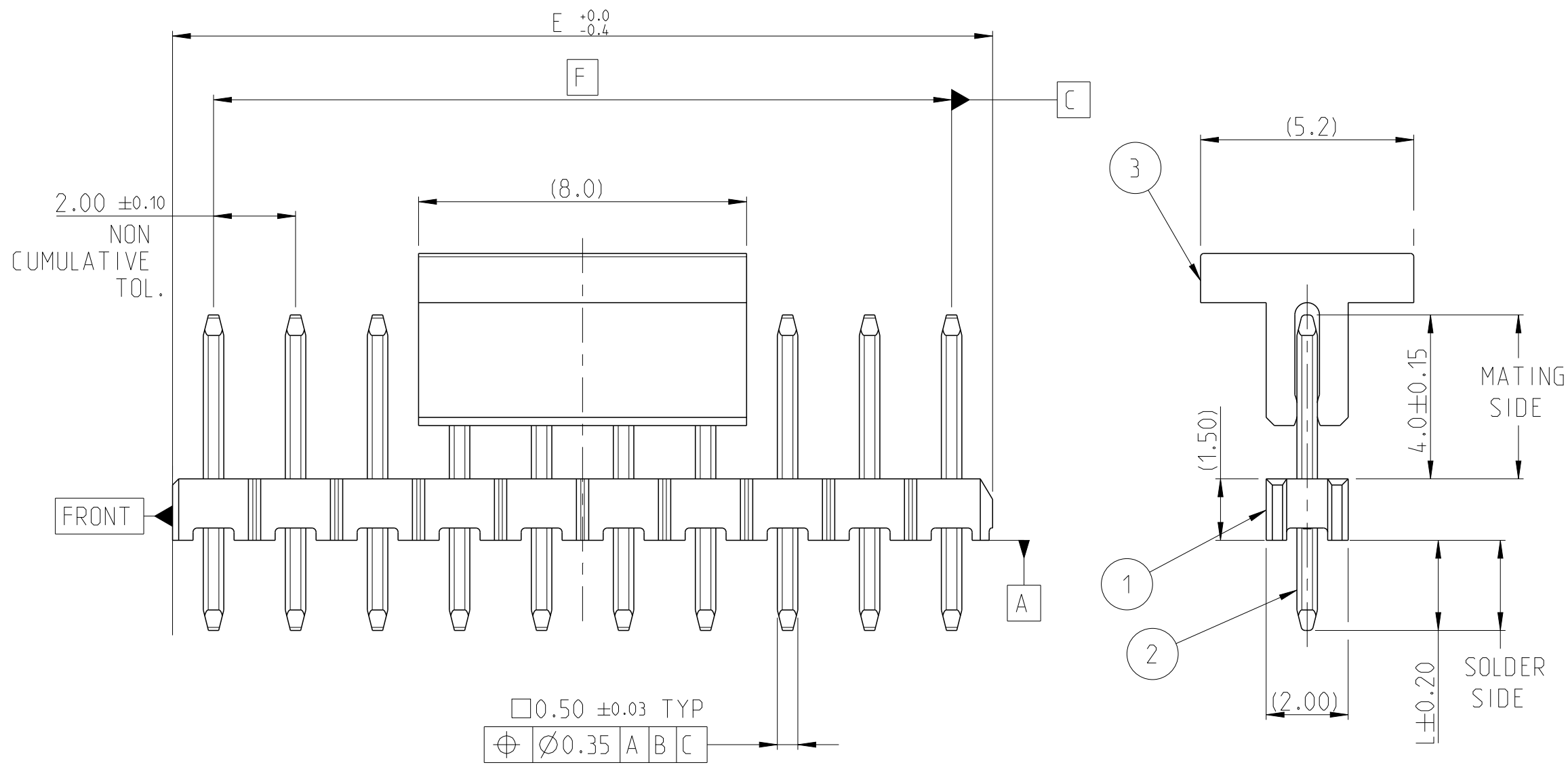
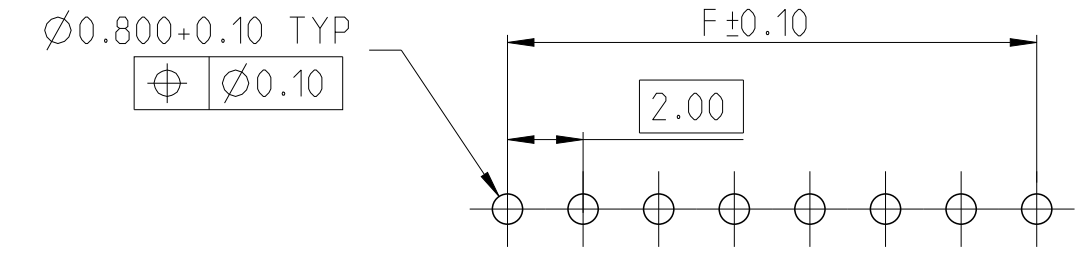
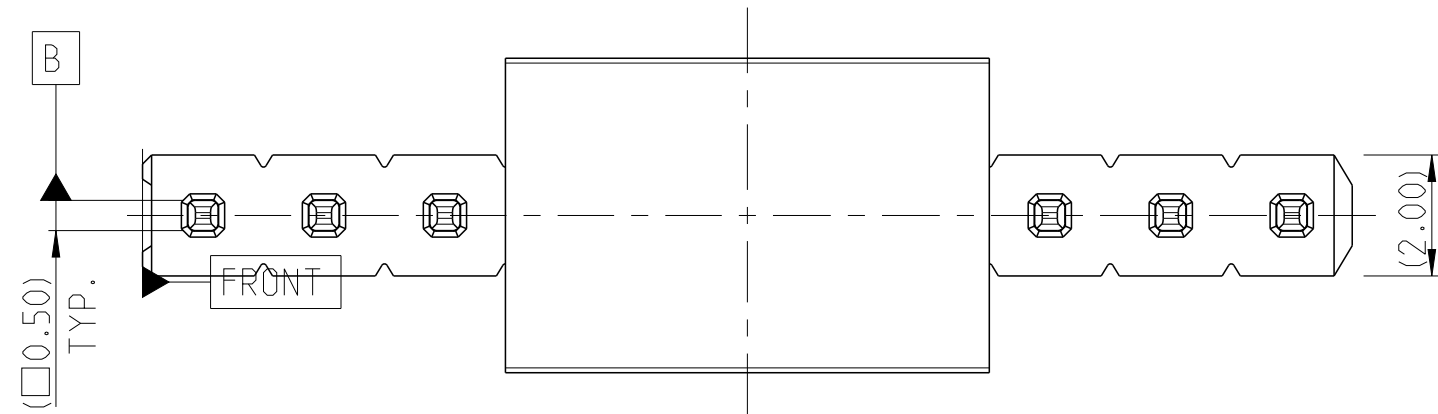


THIS DRAWING IS UNPUBLISHED. RELEASED FOR PUBLICATION  
 © COPYRIGHT APRIL 2016 TE CONNECTIVITY ALL RIGHTS RESERVED.

REVISIONS					
P	LTR	DESCRIPTION	DATE	DWN	APVD
2		UPDATED HOUSING DESIGN	27OCT2016	RP	PS
3		1.6 mm SOLDER TAIL LENGTH HEADERS REMOVED NOTE 8 AND 9 ADDED	07JUN2021	DK	PS
4		HOUSING CAVITY CORNER CHAMFER ADDED SMART PN NOMENCLATURE ADDED	07OCT2021	DK	PS
5		PIN TP CHANGE : SOLDER SIDE 0.35 & DATUM REF CHANGE MATING & SOLDER LENGTH "L" TOLERANCE UPDATE	10MAY2022	DK	PS

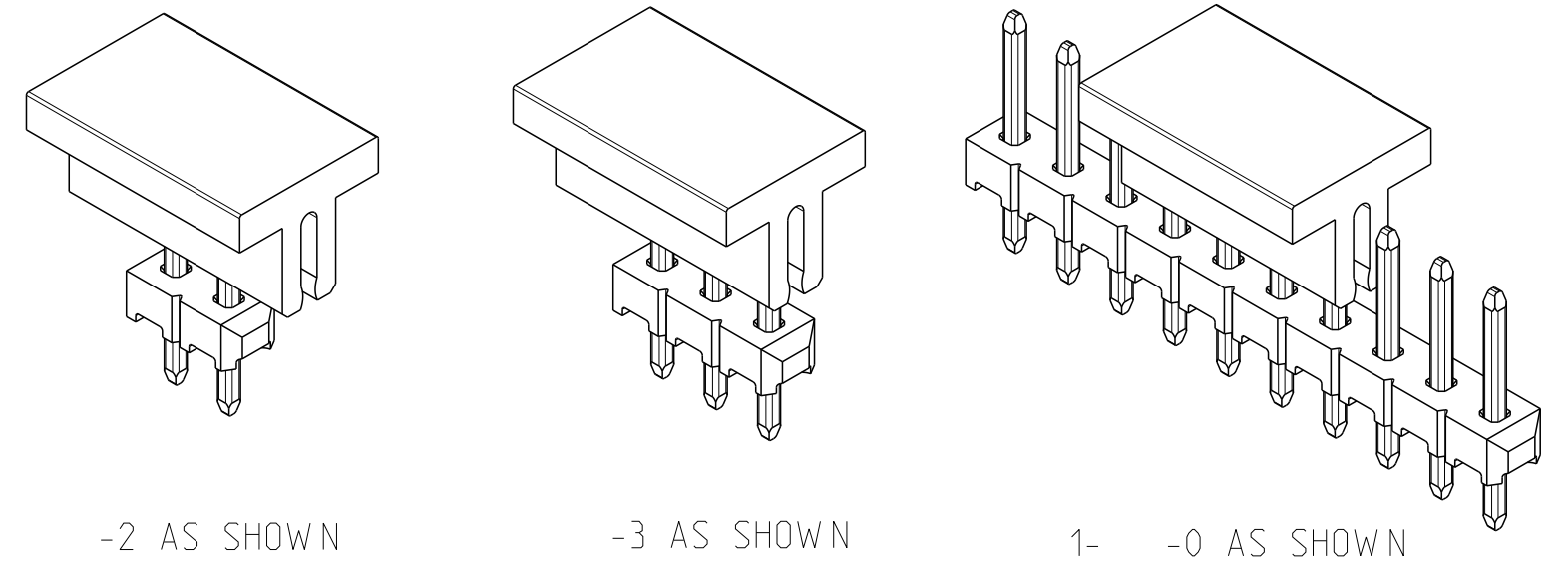


- NOTES:
- MATERIAL  
HOUSING & CAP : HIGH TEMPERATURE THERMOPLASTIC, UL94-V0; COLOR- BLACK  
POST : PHOSPHOR BRONZE
  - FINISH :
    - ② 3 - 5 µm TIN OVER MIN 1.27 µm NICKEL UNDER PLATING
    - ③ MATING SIDE: MIN. 0.1 µm GOLD OVER MIN 1.27 µm NICKEL UNDER PLATING  
SOLDER SIDE: 4 - 6 µm TIN OVER MIN 1.27 µm NICKEL UNDER PLATING
    - ④ MATING SIDE: MIN 0.38 µm GOLD OVER MIN 1.27 µm NICKEL UNDER PLATING  
SOLDER SIDE: 4 - 6 µm TIN OVER MIN 1.27 µm NICKEL UNDER PLATING
    - ⑤ MATING SIDE: MIN 0.76 µm GOLD OVER MIN 1.27 µm NICKEL UNDER PLATING  
SOLDER SIDE: 4 - 6 µm TIN OVER MIN 1.27 µm NICKEL UNDER PLATING
  - FOR SMART PART NUMBER, NO. OF POSITIONS PER CONNECTOR HAS TO BE ADDED NEXT TO NO. OF ROWS (2MM-HB-S\_\_-VT-\_\_-\_\_-\_\_-). REFER SHEET 3 NOMENCLATURE.  
FOR EXAMPLE: 2MM-HB-S02-VT-01-T-TB = 2 POSITION.  
2MM-HB-S25-VT-01-T-TB = 25 POSITION.
  - PACKAGING: A. TAPE & REEL WITH (W/) CAP.  
B. TUBE WITH (W/) & WITHOUT (W/O) CAP.  
C. BOX WITHOUT (W/O) CAP.
  - FOR TUBE PACKAGING W/CAP:  
NO PICK AND PLACE CAP FOR -2 AND -3 POS. HEADER POSITION STARTS FROM -4 POS.
  - PART NUMBER AVAILABLE UPON CUSTOMER REQUEST.
  - "L" DENOTES TAIL LENGTH



RECOMMENDED PCB HOLE PATTERN FOR THROUGH HOLE WAVE

THIS PRINT IS  
**PRELIMINARY**  
 UNQUALIFIED PRODUCT  
 CONTACT PRODUCT ENGINEERING  
 BEFORE USING THIS PRINT



THIS DRAWING IS A CONTROLLED DOCUMENT.		DWN RAKESH 03MAY2016	TE Connectivity
		CHK KARTHIK 03MAY2016	
		APVD PRASHANTH 03MAY2016	
		PRODUCT SPEC 108-64040	
DIMENSIONS: mm	TOLERANCES UNLESS OTHERWISE SPECIFIED:	APPLICATION SPEC 114-64040	NAME AMPMODU 2mm BREAKAWAY HEADER SINGLE ROW VERTICAL
0 PLC ±	1 PLC ±0.1	WEIGHT -	SIZE A2
2 PLC ±0.05	3 PLC ±	CUSTOMER DRAWING	CAGE CODE 100779
4 PLC ±	ANGLES ±2°	SCALE 8:1	DRAWING NO. C-2823074
MATERIAL SEE NOTES	FINISH SEE NOTES	SHEET 1 OF 3	RESTRICTED TO -
			REV 5

THIS DRAWING IS UNPUBLISHED.      RELEASED FOR PUBLICATION  
 © COPYRIGHT APRIL 2016    TE CONNECTIVITY      ALL RIGHTS RESERVED.

REVISIONS				
P	LTR	DESCRIPTION	DATE	APVD
-		SEE SHEET 1	-	-

50	48	25
48	46	24
46	44	23
44	42	22
42	40	21
40	38	20
38	36	19
36	34	18
34	32	17
32	30	16
30	28	15
28	26	14
26	24	13
24	22	12
22	20	11
20	18	10
18	16	9
16	14	8
14	12	7
12	10	6
10	8	5
8	6	4
6	4	3
4	2	2
DIM "E"	DIM "F"	POSITION PER CONNECTOR

THIS PRINT IS  
**PRELIMINARY**  
 UNQUALIFIED PRODUCT  
 CONTACT PRODUCT ENGINEERING  
 BEFORE USING THIS PRINT

THIS DRAWING IS A CONTROLLED DOCUMENT.		DWN RAKESH 03MAY2016	<b>STE</b> TE Connectivity	
DIMENSIONS: mm		CHK KARTHIK 03MAY2016		
TOLERANCES UNLESS OTHERWISE SPECIFIED:		APVD PRASHANTH 03MAY2016	NAME AMPMODU 2mm BREAKAWAY HEADER SINGLE ROW VERTICAL	
0 PLC ±		PRODUCT SPEC 108-64040	SIZE A2	
1 PLC ±0.1		APPLICATION SPEC 114-64040	CAGE CODE 00779	DRAWING NO C-2823074
2 PLC ±0.05		WEIGHT -	RESTRICTED TO -	
3 PLC ±		CUSTOMER DRAWING	SCALE 1:1	SHEET 2 OF 3
4 PLC ±				REV 5
ANGLES ±°				
FINISH				
MATERIAL SEE NOTES				
SEE NOTES				

THIS DRAWING IS UNPUBLISHED. RELEASED FOR PUBLICATION  
 © COPYRIGHT APRIL 2016 TE CONNECTIVITY ALL RIGHTS RESERVED.

REVISIONS					
P	LTR	DESCRIPTION	DATE	DWN	APVD
-		SEE SHEET 1	-	-	-

SMART PART NUMBER  
 2MM - HB - S - - - - -

PRODUCT SERIES

2MM AMPMODU 2mm series

GENDER / TYPE

HB Breakaway headers

NUMBER OF ROWS

S Single row

NUMBER OF PINS PER ROW

XX 02 through 25  
(enter two digits)

ORIENTATION & TERMINATION

VT Vertical through hole

PACKAGING

TB	Tube without cap	
TBP	Tube with cap	8
TRP	Tape and reel with cap	
BX	Box	9

PLATING

T	Tin
F	0.1µm Gold (Gold flash)
M	0.38µm Gold
H	0.76µm Gold

TAIL LENGTH (L)

01	2.2 mm
02	2.8 mm
03	3.4 mm

SMART PN EXAMPLES :

1. AMPMODU 2MM, BREAKAWAY HEADER, SINGLE ROW, 02 POSITION PER ROW, VERTICAL MOUNT, 2.2MM SOLDER TAIL LENGTH, TIN PLATING, TUBE W/O CAP  
2MM-HB-S02-VT-01-T-TB
2. AMPMODU 2MM, BREAKAWAY HEADER, SINGLE ROW, 25 POSITION PER ROW, VERTICAL MOUNT, 3.4MM SOLDER TAIL LENGTH, 0.76µm GOLD PLATING, BOX PACKAGING  
2MM-HB-S25-VT-03-H-BX

THIS PRINT IS  
**PRELIMINARY**  
 UNQUALIFIED PRODUCT  
 CONTACT PRODUCT ENGINEERING  
 BEFORE USING THIS PRINT

THIS DRAWING IS A CONTROLLED DOCUMENT.		DWN RAKESH 03MAY2016	<b>STE</b> TE Connectivity	
DIMENSIONS: mm		CHK KARTHIK 03MAY2016		
TOLERANCES UNLESS OTHERWISE SPECIFIED:		APVD PRASHANTH 03MAY2016	NAME AMPMODU 2mm BREAKAWAY HEADER SINGLE ROW VERTICAL	
0 PLC ±		PRODUCT SPEC 108-64040	SIZE A2	
1 PLC ±0.1		APPLICATION SPEC 114-64040	CAGE CODE 100779	DRAWING NO C-2823074
2 PLC ±0.05		WEIGHT -	RESTRICTED TO -	
3 PLC ±		CUSTOMER DRAWING	SCALE 1:1	SHEET 3 OF 3
4 PLC ±				REV 5
ANGLES ±2°				
FINISH				
MATERIAL SEE NOTES				
SEE NOTES				