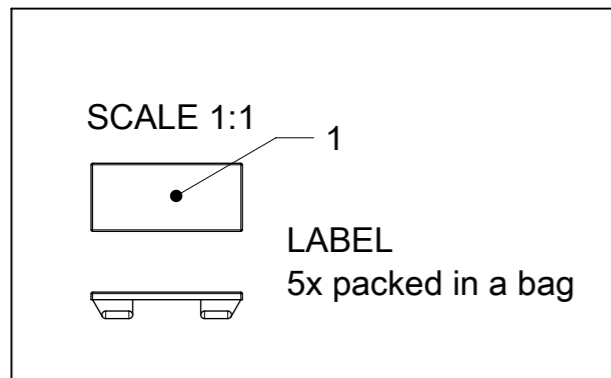
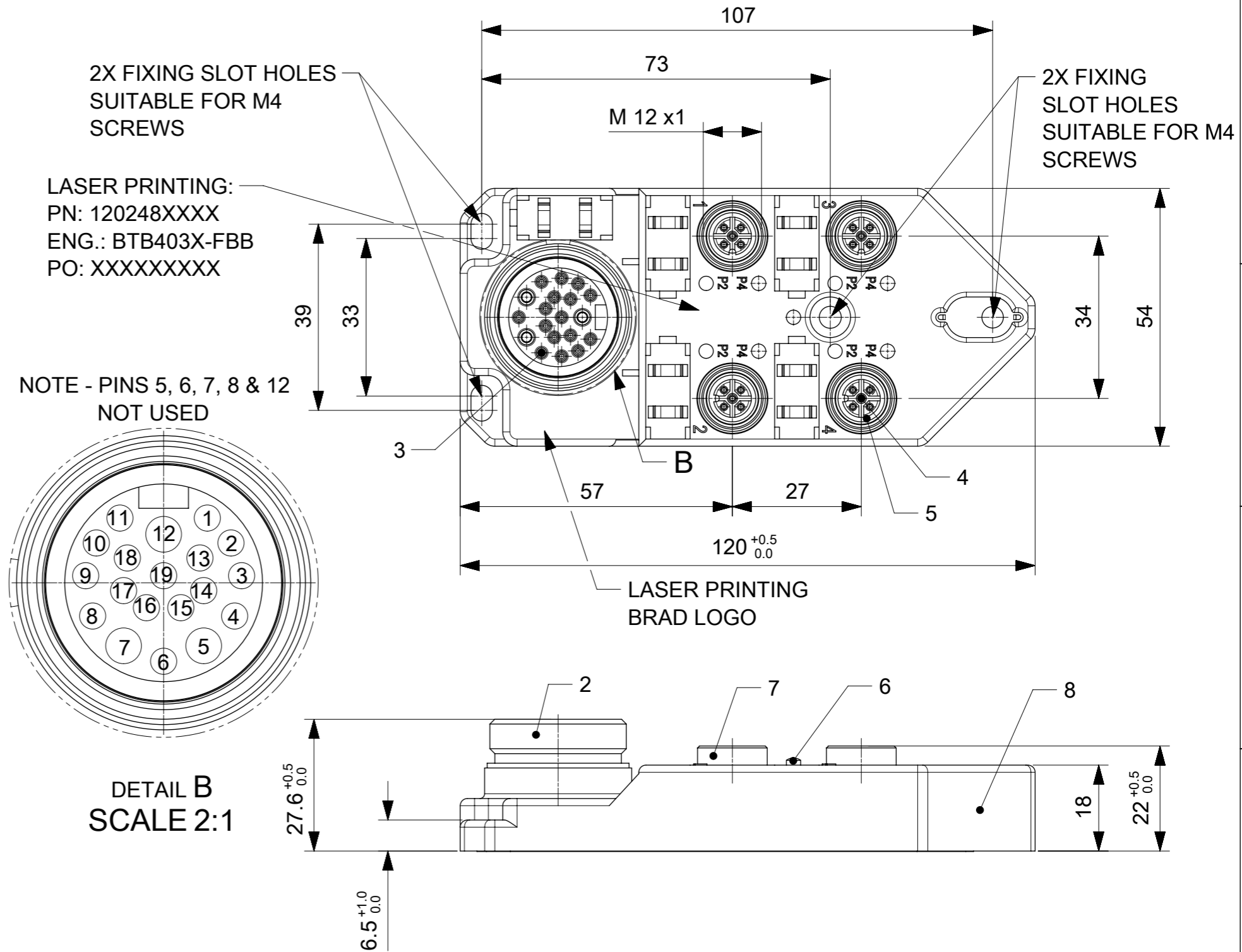


TABLE 1

MOLEX P/N	ENG. NO.	LED
1202480076	BTB4030-FBB	NO
1202480077	BTB403P-FBB	YES
1202480078	BTB403N-FBB	YES

TABLE 2 BILL OF MATERIAL

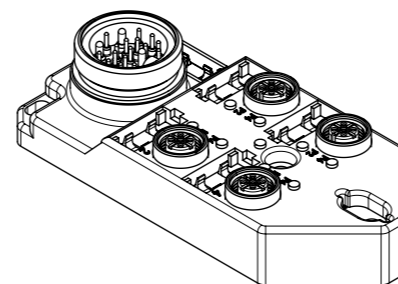
ITEM	DESCRIPTION	MATERIAL	FINISH
1	LABEL	ABS	WHITE
2	SHELL	BRASS	NICKEL PLATED
3	CONTACT	BRASS	GOLD OVER NICKEL
4	CONTACT	BRONZE	GOLD OVER NICKEL
5	O-RING	FPM	RED
6	LED	NO LED = PA	BLACK
		WITH LED = PA	TRANSPARENT
7	SHELL	BRASS	NICKEL PLATED
8	HOUSING	PBT	BLACK



GENERAL CHARACTERISTICS:

ELECTRICAL AND MECHANICAL DATA ACC. TO IEC 61076-2-101

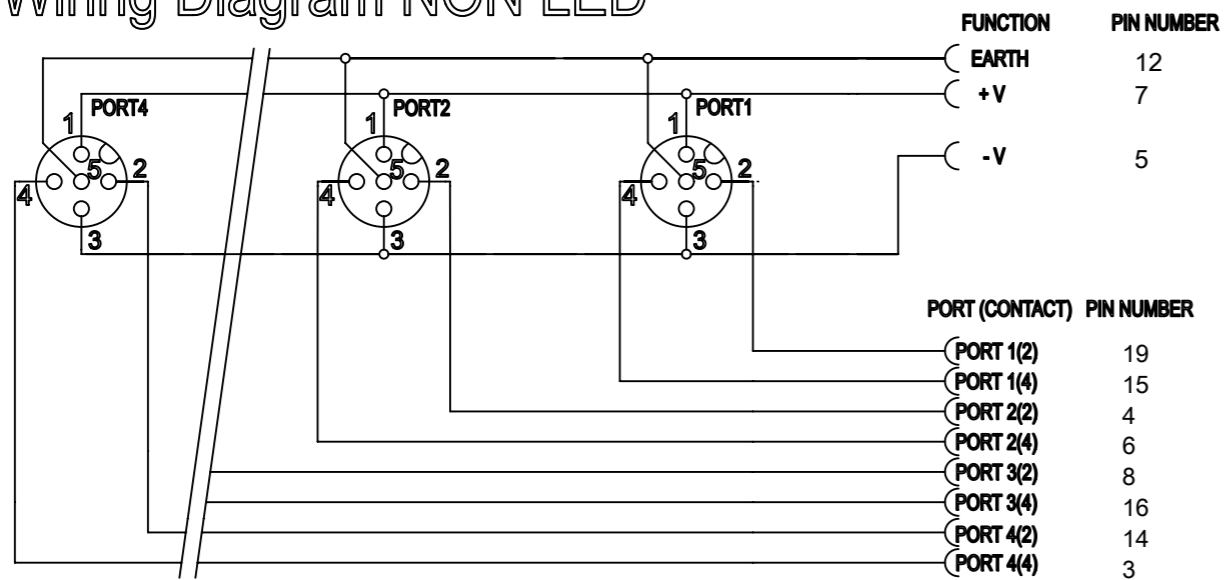
NOMINAL VOLTAGE: 10-30 V DC
 AMPERE RATING: 4 A PER PORT / 12 A MAX
 AMPERE RATING WITH UL REGISTRATION: 3 A PER PORT / 9 A MAX
 IP DEGREE OF PROTECTION: IP 67
 TEMPERATURE RANGE: -25°C to + 85°C



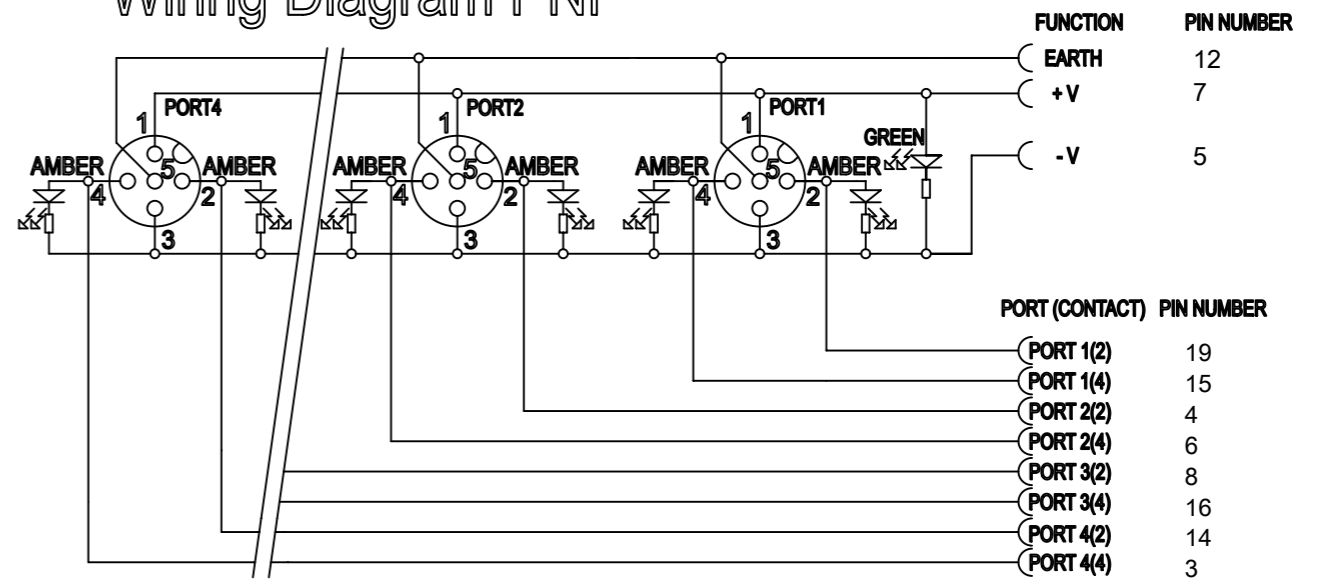
SCALE 1:2

SYMBOLS		THIS DRAWING CONTAINS INFORMATION THAT IS PROPRIETARY TO MOLEX ELECTRONIC TECHNOLOGIES, LLC AND SHOULD NOT BE USED WITHOUT WRITTEN PERMISSION	
DIMENSION UNITS	SCALE	CURRENT REV DESC:	ADDED
mm		EC NO: 606042	
GENERAL TOLERANCES (UNLESS SPECIFIED)		DRWN: MDHARMANTI	2018/08/31
ANGULAR TOL	± °	CHK'D: RSILLER	2018/10/18
4 PLACES	±	APPR: RSILLER	2018/10/18
3 PLACES	±	INITIAL REVISION:	
2 PLACES	±	DRWN: ULETENMEIER	2016/04/18
1 PLACE	±	APPR: RSILLER	2017/01/18
0 PLACES	± 0.25	THIRD ANGLE PROJECTION	
DRAFT WHERE APPLICABLE MUST REMAIN WITHIN DIMENSIONS		DRAWING	SERIES
		A3-SIZE	120248
		MATERIAL NUMBER	CUSTOMER
		SEE TABLE 1	GENERAL MARKET
		DOCUMENT NUMBER	DOC TYPE DOC PART REVISION
		1202480076	PSD 000 B
		SHEET NUMBER	
		1 OF 2	

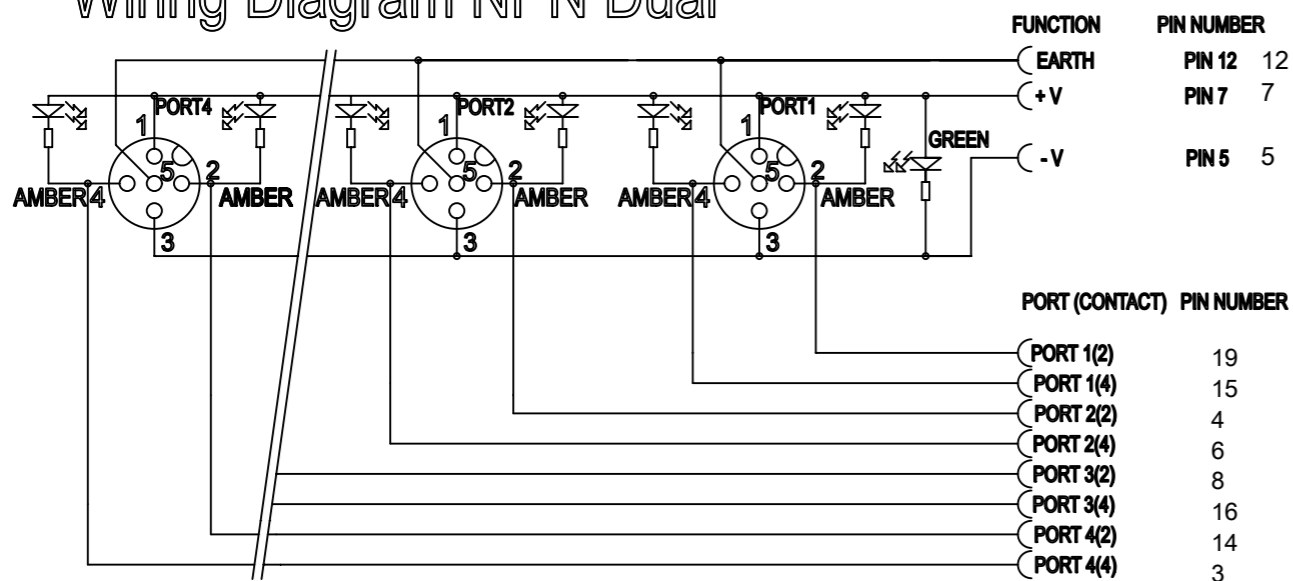
Wiring Diagram NON LED



Wiring Diagram PNP



Wiring Diagram NPN Dual



SYMBOLS ▽ = 0 ▽ = 0 ▽ = 0 ▽ = 0 ▽ = 0 ▽ = 0 ▽ = 0 ▽ = 0 ▽ = 0 ▽ = 0	THIS DRAWING CONTAINS INFORMATION THAT IS PROPRIETARY TO MOLEX ELECTRONIC TECHNOLOGIES, LLC AND SHOULD NOT BE USED WITHOUT WRITTEN PERMISSION	CURRENT REV DESC: LASER PRINTING ADDED			
	DIMENSION UNITS: mm SCALE: GENERAL TOLERANCES (UNLESS SPECIFIED): ANGULAR TOL ± °	EC NO: 606042 DRWN: MDHARMANTI 2018/08/31 CHK'D: RSILLER 2018/10/18 APPR: RSILLER 2018/10/18			PRODUCT CUSTOMER DRAWING
	4 PLACES ± 3 PLACES ± 2 PLACES ± 1 PLACE ± 0 PLACES ± 0.25	INITIAL REVISION: DRWN: ULETTENMEIER 2016/04/18 APPR: RSILLER 2017/01/18			DOCUMENT NUMBER: 1202480076 DOC TYPE: PSD DOC PART: 000 REVISION: B
	DRAFT WHERE APPLICABLE MUST REMAIN WITHIN DIMENSIONS THIRD ANGLE PROJECTION DRAWING: A3-SIZE SERIES: 120248 MATERIAL NUMBER: SEE TABLE 1 CUSTOMER: GENERAL MARKET SHEET NUMBER: 2 OF 2				