



MADE
IN THE **USA**
PATENT PENDING

Product Description:

- Bundle Includes:
 - PS412-0212 Protection System - Quad Glove - 4"
 - Holds disposable or reusable gowns, aprons, or coveralls/jumpsuits, four boxes of gloves, earloop masks, and shield masks
 - ADA and CMS Wall Protrusion Compliant
 - Keyholes for wall mounting or cut out for use with BOWMAN® hanger
 - Quartz Beige ABS Plastic
 - MP-047 Sign Holder - Clip-On
 - Holds 8.5" x 11" signage
 - Clear PETG Plastic

Primary Area for Product Usage:

- Anywhere protective equipment products are needed

Dispenses:

- Top left: Gowns, aprons, or coveralls/jumpsuits no larger than 14.90"W x 14.67"H x 3.75"D (37.8 cm x 37.2 cm x 9.5 cm)
- Top right: Box(es) no larger than 8.20"W x 10.00"H x 3.63"D (20.8 cm x 25.4 cm x 9.2 cm)
- Middle right: Box(es) no larger than 8.20"W x 5.13"H x 3.75"D (20.8 cm x 13.0 cm x 9.5 cm)
- Bottom: Box(es) no larger than 11.50"W x 5.50"H x 3.63"D (29.2 cm x 14.0 cm x 9.2 cm)

Product Specifications (overall assembled dimensions):

- 23.38"W x 26.73"H x 4.33"D (59.4 cm x 67.9 cm x 11.0 cm)
- 8.0 lbs (3.6 kg) - approximated

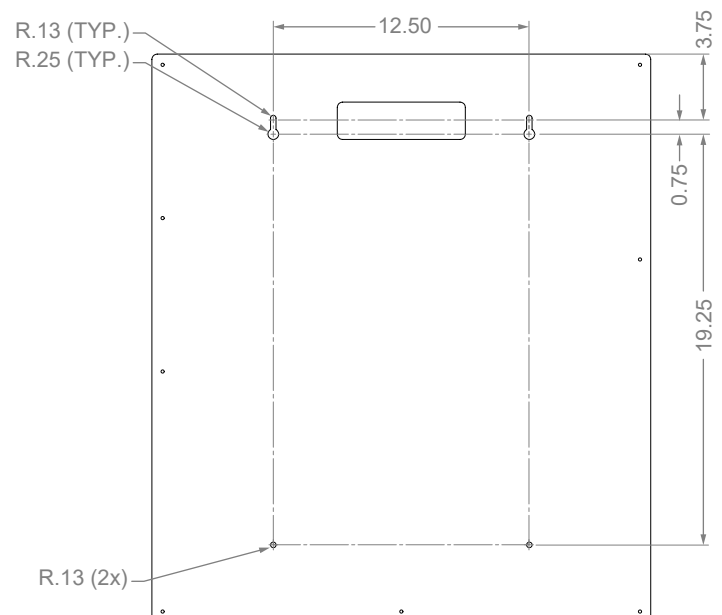
Package Specifications:

- Package Quantity: 1 per case
- 26"L x 6"W x 32"H (66.0 cm x 15.2 cm x 81.3 cm)
- 10.0 lbs (4.5 kg) - approximated



Consumables not included

Mounting Specifications:

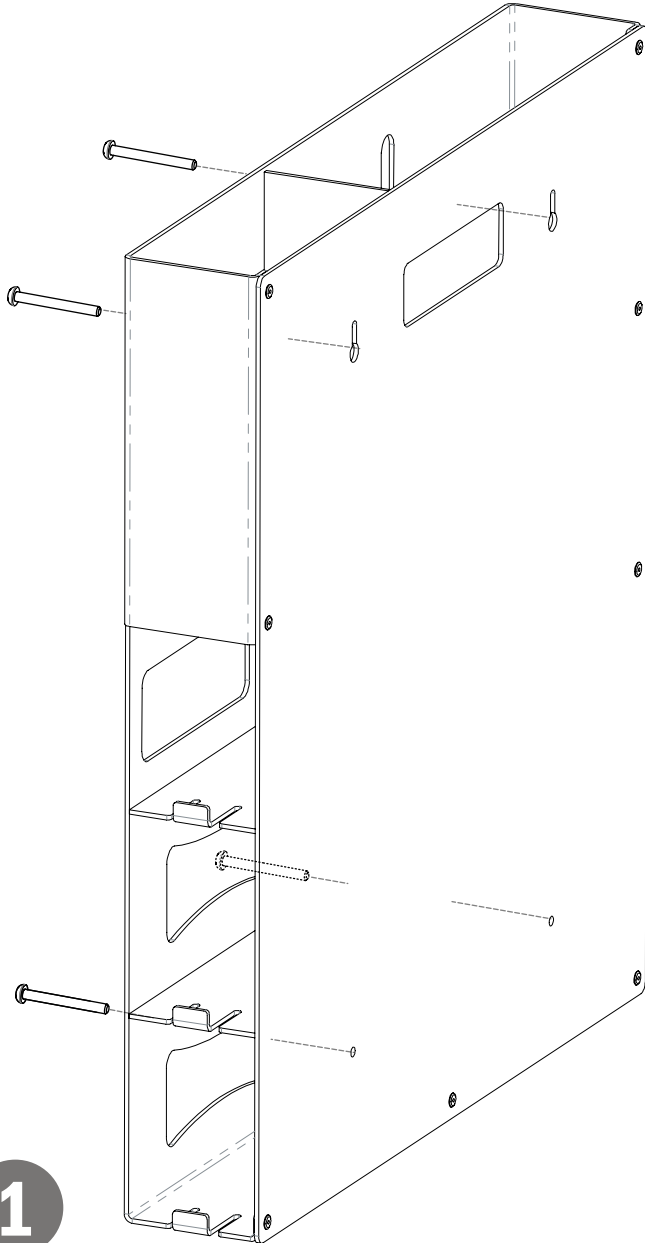




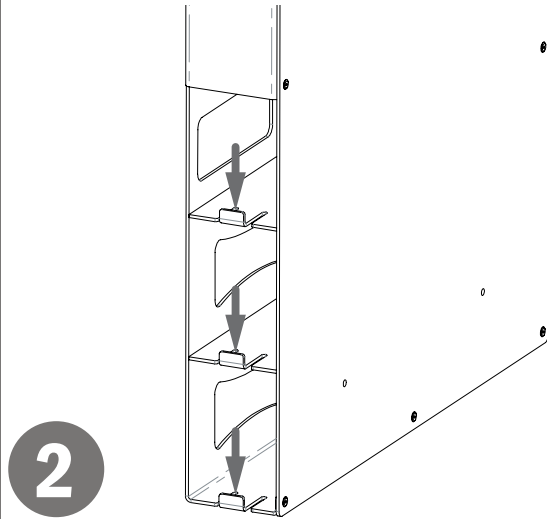
Installation

Always mount dispensers securely *prior* to loading with product.

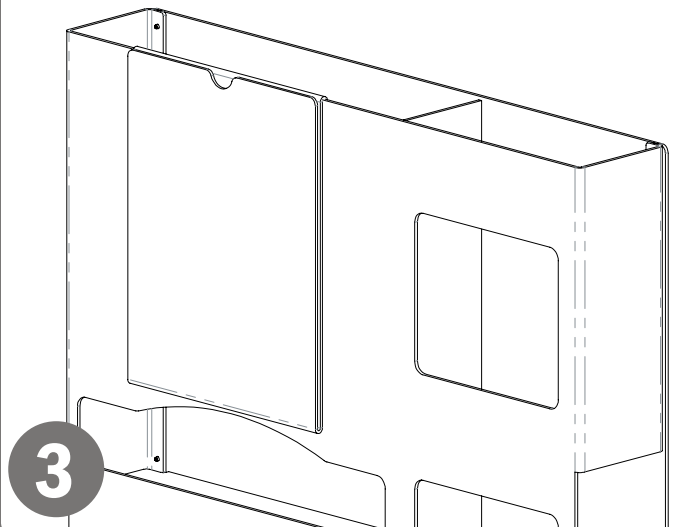
- Mount securely to a wall with screws approved and supplied by building maintenance.
- Use all four mounting holes provided.



- The flexible tabs on the side are designed to hold product securely in the dispenser.
- To add or remove product, press down on the tab and insert or pull box out.



- Clip the Sign Holder over the top of the gown section and insert desired signage.
- Free isolation signs can be downloaded at www.BowmanDispensers.com.



Parts included:

- Protection System
- Sign Holder

Tools Required:

- No tools required to assemble dispenser

**PS412-0212**

ABS Plastic

MP-047

PETG Plastic

Material Characteristics**Designed for Long-Term, Heavy-Duty Applications**

The combination of copolymers (Acrylonitrile, Butadiene, and Styrene) gives ABS an excellent combination of strength, rigidity, and toughness. The fauxwood finish is ARVINYL laminate created from a semi-rigid film.

ABS is chemical and stress-crack resistant. It is tough, dimensionally stable, and will hold up to long-term use. To ensure product longevity, fauxwood products should not be mounted in very hot or cold areas.

Designed for Long-Term, Heavy-Duty Applications

Copolyester resin is designed for heavy-duty applications, and is used by BOWMAN® Dispensers. We never use acrylic in our products.

Copolyester (PETG) is typically 15-20 times tougher than general purpose acrylic. PETG is made to withstand handling and reduce losses due to breakage.

PETG resists a variety of chemicals and commonly used cleaning agents. It is tough and durable (not brittle), providing years of trouble-free functionality and long life.

Clear optical characteristics mean the viewer can see the content, read text, and see true colors through the material. It complies with FDA regulations for food contact.

Care and Cleaning

Use mild soap and water to clean. Petroleum-based oils, solvents, and paints should not be used.

Standard hospital cleaning supplies are approved for use on our ABS plastic products.

Most cleaning chemicals do not weaken the surface or cause damage to the material. Suggested cleaning method is to use a soft cloth, warm water, and mild soap.