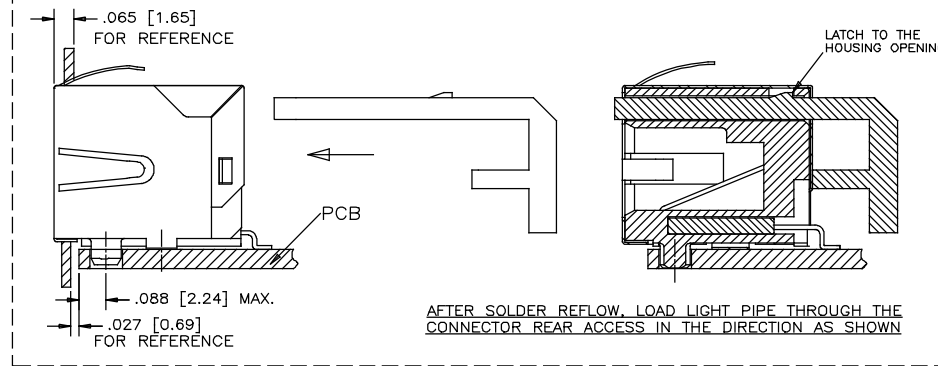
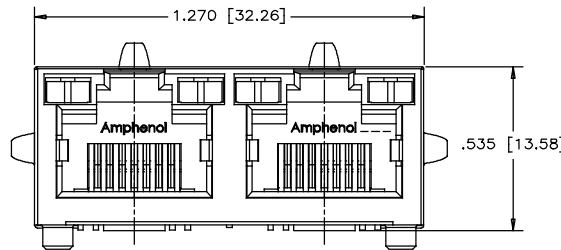


TOP VIEW

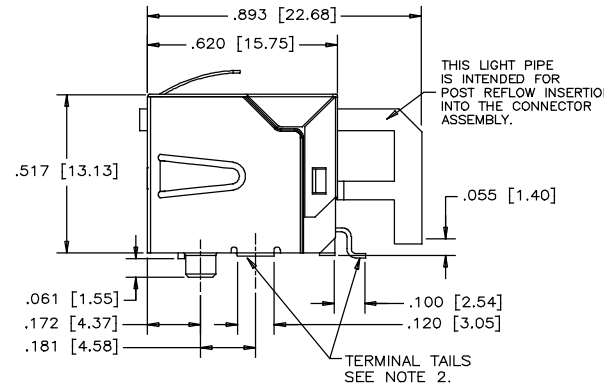


AFTER SOLDER REFLOW, LOAD LIGHT PIPE THROUGH THE CONNECTOR REAR ACCESS IN THE DIRECTION AS SHOWN

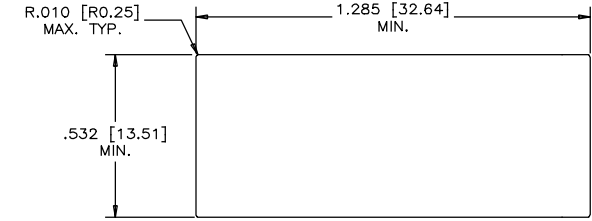
REVISIONS				
REV	DESCRIPTION, ECN, EAR NO.	DATE	APP'D	
A	PROPOSAL DRAWING	SEP 05/17	L.CHAN	



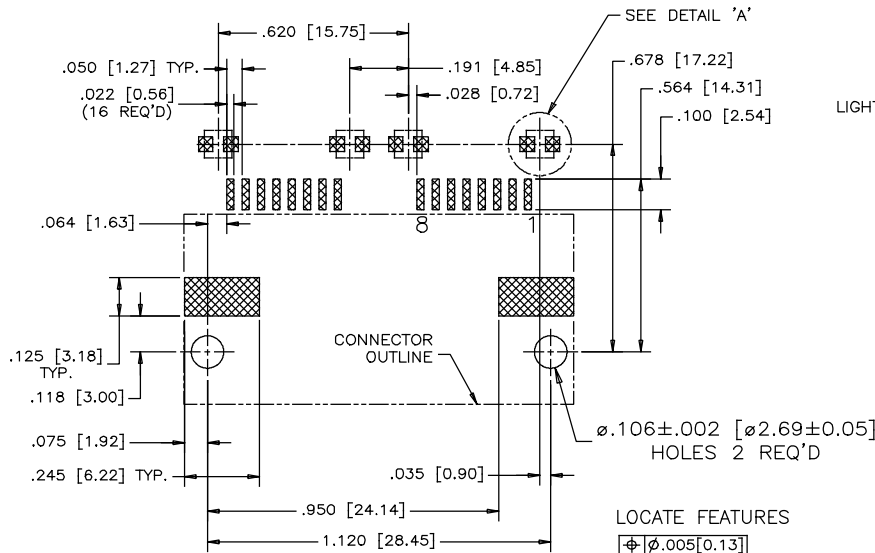
FRONT VIEW



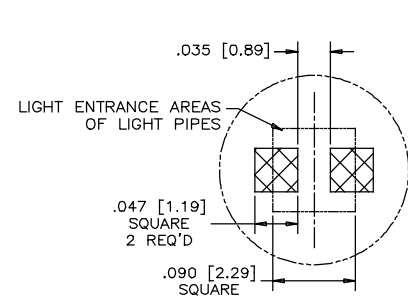
SIDE VIEW



RECOMMENDED PANEL CUTOUT



RECOMMENDED P.C.B. LAYOUT (COMPONENT SIDE OF BOARD)



DETAIL 'A' (ENLARGED)
SMT LED SOLDER PAD (SMT LED TO BE PROVIDED BY THE CUSTOMER)

1. MATERIALS:

HOUSING: ENGINEERING THERMOPLASTIC FLAMMABILITY RATING UL 94V-0 COLOR: BLACK

CONTACTS: PHOSPHOR BRONZE
PLATING: 20 μ" [0.5 MICRONS] MIN. GOLD ON MATING SURFACES. 50 μ" [1.27 MICRONS] MIN. NICKEL UNDERPLATE. 100 μ" [2.54 MICRONS] MIN. MATTE TIN ON CONTACT TAILS.

SHIELD: COPPER ALLOY PLATED TIN ALLOY

LIGHT PIPE: CLEAR POLYCARBONATE RATED UL 94V-0.

2. COPLANARITY SPECIFICATION:

WITH THE MODULAR JACK SITTING ON A LEVEL SURFACE, THE MAXIMUM GAP BETWEEN THE LEVEL SURFACE OF SHIELD TAB AND ALL TERMINAL TAILS IS .004 [0.10].

AMPHENOL PART NUMBER: RJSSE-5581-02

UNLESS SPECIFIED OTHERWISE	DRAWN	RONNIE.C	SEP 05/17
PRIMARY UNITS INCH	CHECKED	AMY.Z	SEP 05/17
SECONDARY UNITS MILLIMETER	M.E. APP'D		
REFERENCE IN PARENTHESES	Q.A. APP'D		
1 DECIMAL PLACE ±0.025	DWG APP'D		
2 DECIMAL PLACE ±0.020	ENG. REL. NO.		
3 DECIMAL PLACE ±0.015	REF.		
ANGULAR DEGREES ±1°	THIRD ANGLE PROJECTION		
	DO NOT SCALE DRAWING		

Amphenol Canada Corp.		REV
www.amphenolcanada.com		A
2 PORT, SURFACE MOUNT, RJ45, MODULAR JACK, 8 POSITION, 8 CONTACTS, SHIELDED, WITH LIGHT PIPES - ROHS COMPLIANT		
DWG NO.	P-RJSSE-5581-02	
CODE ID NO. 03554	DWG SIZE: C	SHEET 1 OF 1