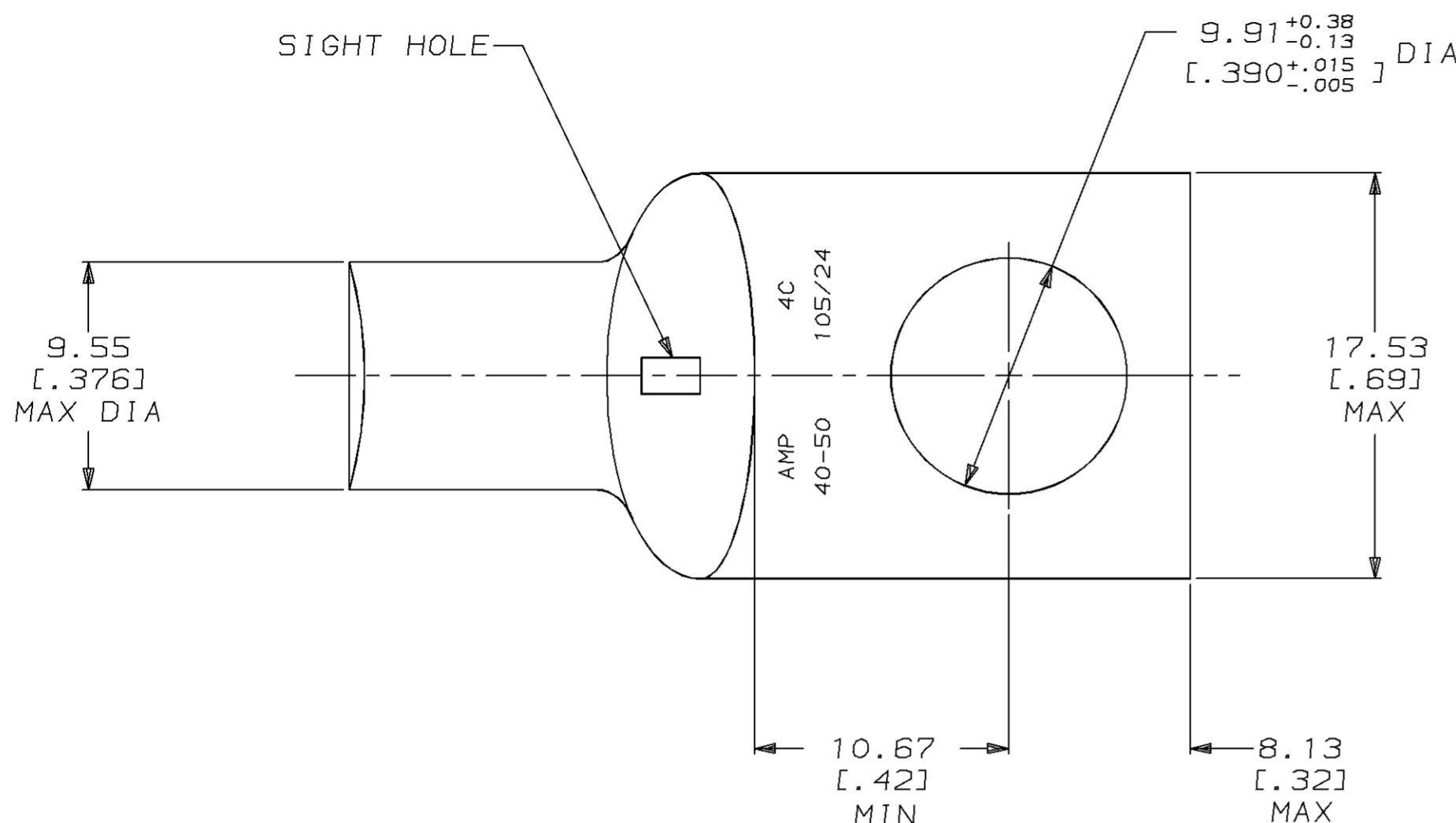
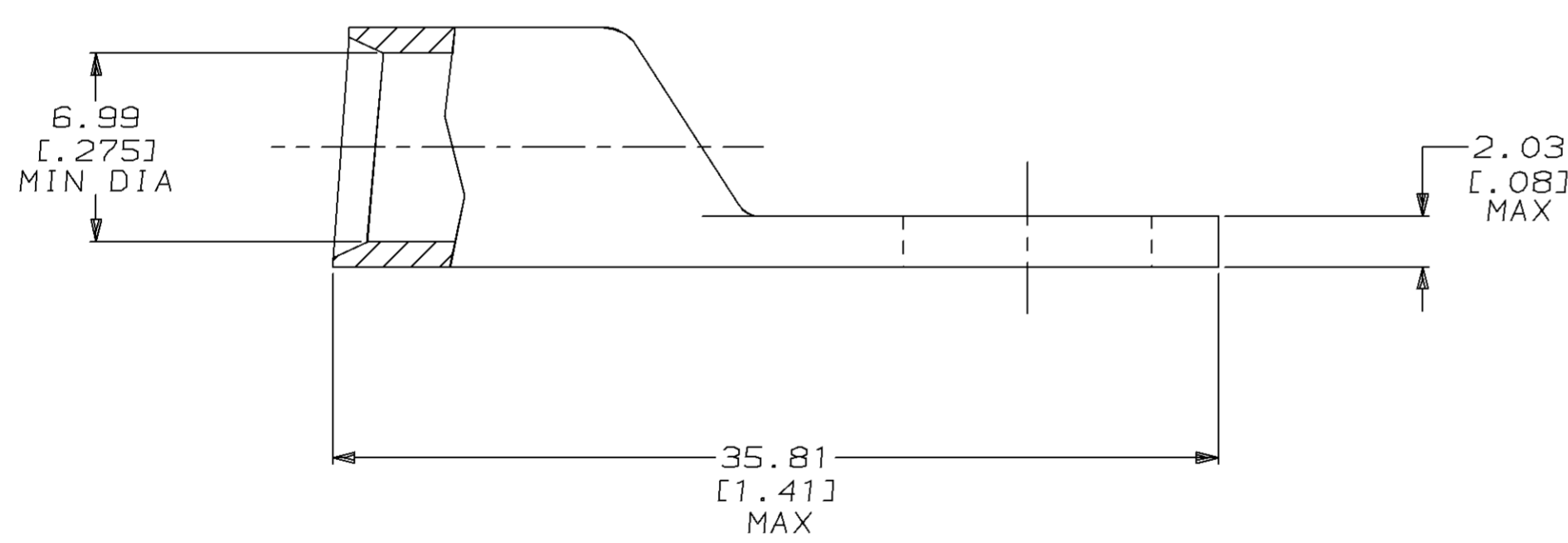


| LOC | | DIST | | P | | F | | ZONE | | LTR | | REVISIONS | | DATE | APPD |
|-----|--|------|--|---|--|---|--|------|--|-----|--|------------------------|--|----------|------|
| G | | 86 | | | | | | | | T | | REV & REDRA PER G-5357 | | 02/28/90 | DKS |



1 CIRCULAR MIL AREA RANGE: 33,100-52,600 CM
 2 TIN PL 0.00381 [.000150] MIN THK PER MIL-T-10727



328164

328164
PART NO

| | | | | | |
|--|--|-----------------------------|--|--|--|
| DO NOT SCALE PRINT. UNLESS SPECIFIED DIMENSIONS IN mm [INCHES] TOLERANCES ON : 2 PLC DEC ± 0.51 [.020] 3 PLC DEC ± - ANGLES ± - | | DR 02/28/90 DK SCHRUM | | AMP INCORPORATED Harrisburg, Pa. 17105 | |
| MATERIAL ANNEALED COPPER ASTM B-152 | | CHK 19JAN95 MS FEHER | | | |
| FINISH △ | | APPD 19JAN95 WJ VOCKROTH | | NAME TERMINAL, AMPPOWER™, WIRE SIZE: 4 AWG | |
| | | APPD 19JAN95 TL SHUTTER | | SIZE C | |
| | | PRODUCT SPEC 108-30200 | | CAGE CODE 00779 | |
| | | APPLICATION SPEC - | | DRAWING NO 328164 | |
| | | WEIGHT .015 LB | | SCALE 4:1 | |
| | | | | SHEET 1 OF 1 | |

METRIC