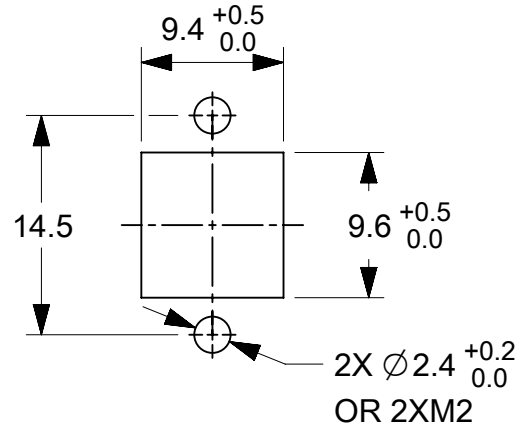
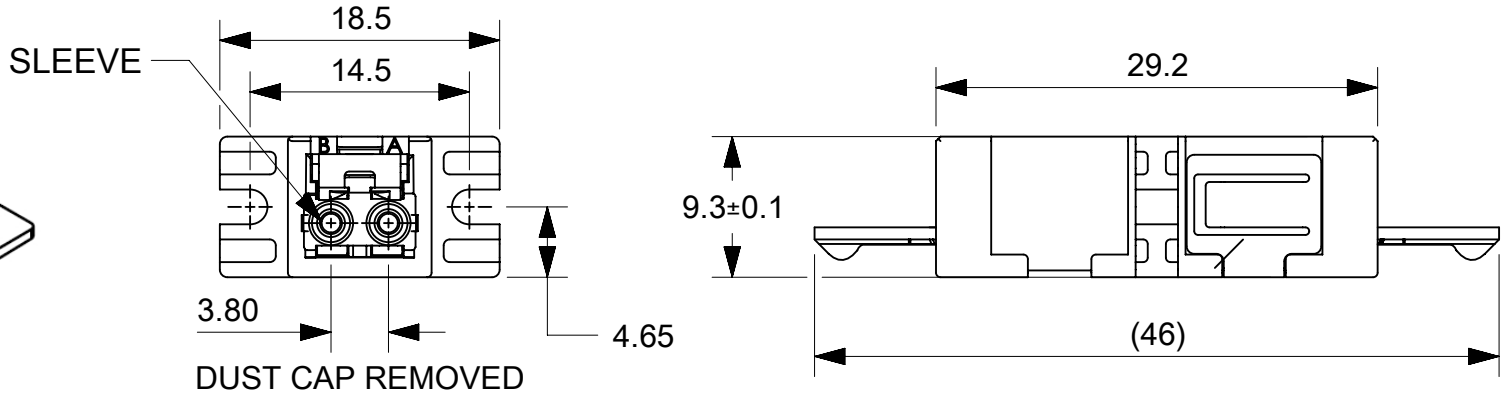
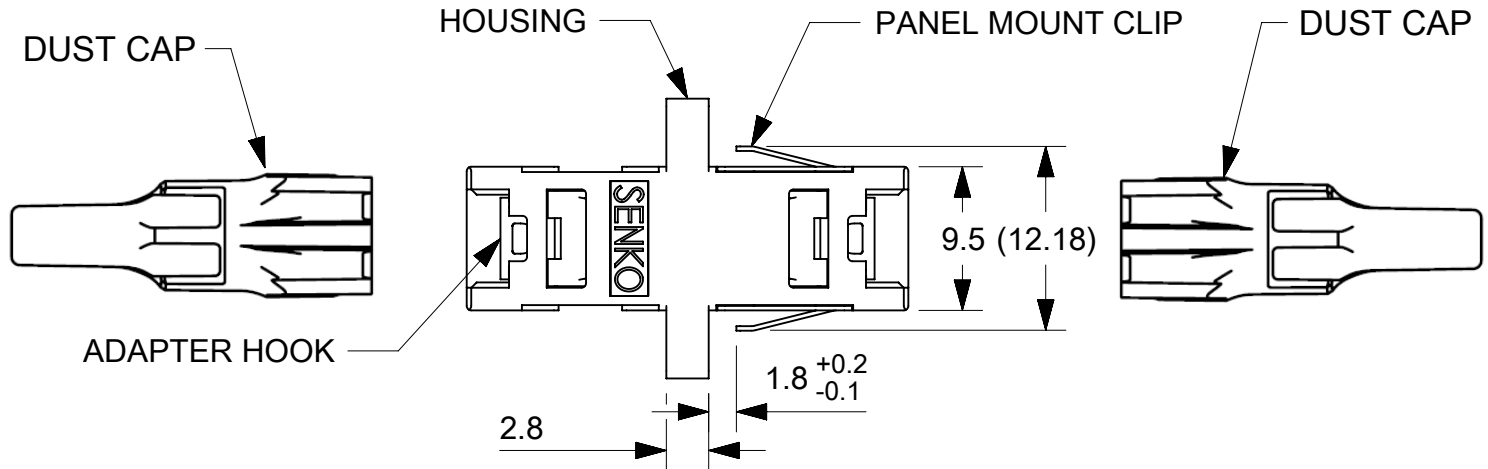
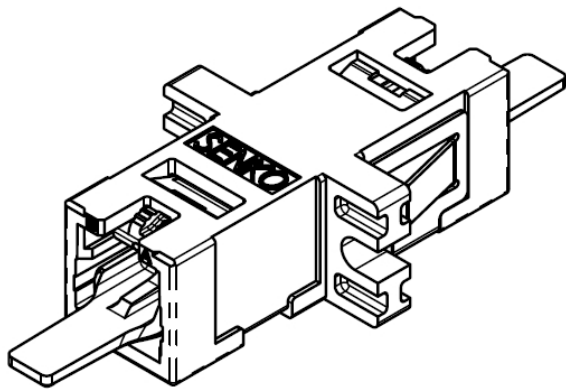


MOLEX P/N	COLOR
1060291001	BLUE
1060291004	AQUA(OM3)



MOUNTING HOLE DIMENSIONS  
(REFERENCE ONLY)  
PANEL THICKNESS 1.7mm MAX



- NOTES:
1. ALL MATERIALS ARE COMPLIANT TO RoHS, REACH SVHC AND UL 94 V-0.
  2. INTERFACE DIMENSIONS COMPLIANT TO TYPE CS FAMILY SPECIFICATION.

THIS DRAWING CONTAINS INFORMATION THAT IS PROPRIETARY TO MOLEX ELECTRONIC TECHNOLOGIES, LLC AND SHOULD NOT BE USED WITHOUT WRITTEN PERMISSION

DIMENSION UNITS	SCALE	CURRENT REV DESC:		
mm	1:2			
GENERAL TOLERANCES (UNLESS SPECIFIED)				
ANGULAR TOL	± 3.0°			
4 PLACES	±	EC NO: 737868		
3 PLACES	±	DRWN: JHUANG18	2021/05/24	
2 PLACES	± 0.1	CHK'D: IGUMIN	2023/02/09	
1 PLACE	± 0.2	APPR: IGUMIN	2023/02/09	
0 PLACES	±	INITIAL REVISION:		
		DRWN: SDXIE	2018/10/18	
		APPR: IGUMIN	2018/10/30	
DRAFT WHERE APPLICABLE MUST REMAIN WITHIN DIMENSIONS		THIRD ANGLE PROJECTION	DRAWING	SERIES
			A4-SIZE	106029
		MATERIAL NUMBER		CUSTOMER
		1060291001		PSD 000 C
		DOCUMENT NUMBER		REVISION
		1060291001		C
		DOC TYPE		DOC PART
		PSD		000
		SHEET NUMBER		1 OF 1

DOCUMENT STATUS	P1	RELEASE DATE	2023/02/09	05:01:42
-----------------	----	--------------	------------	----------