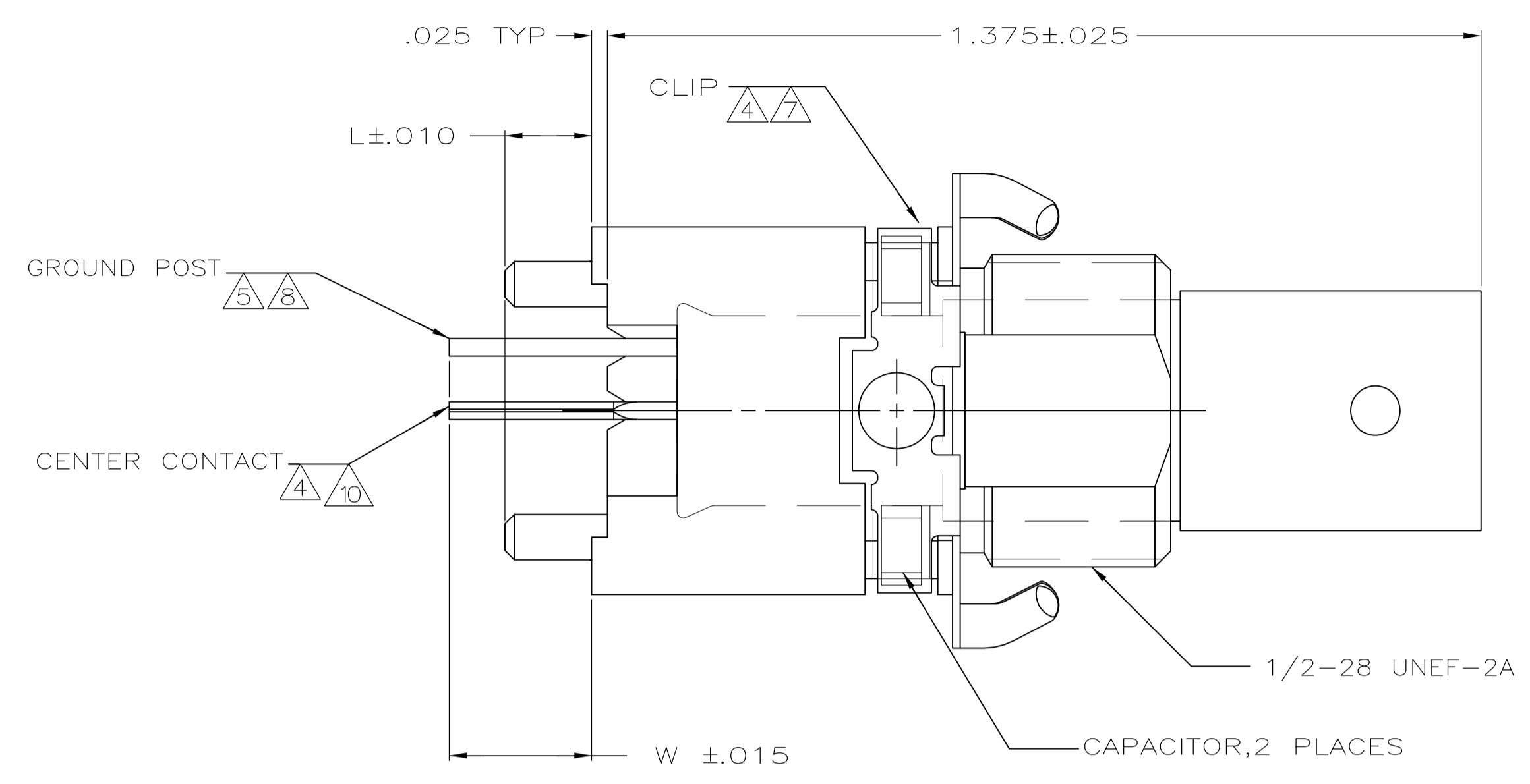
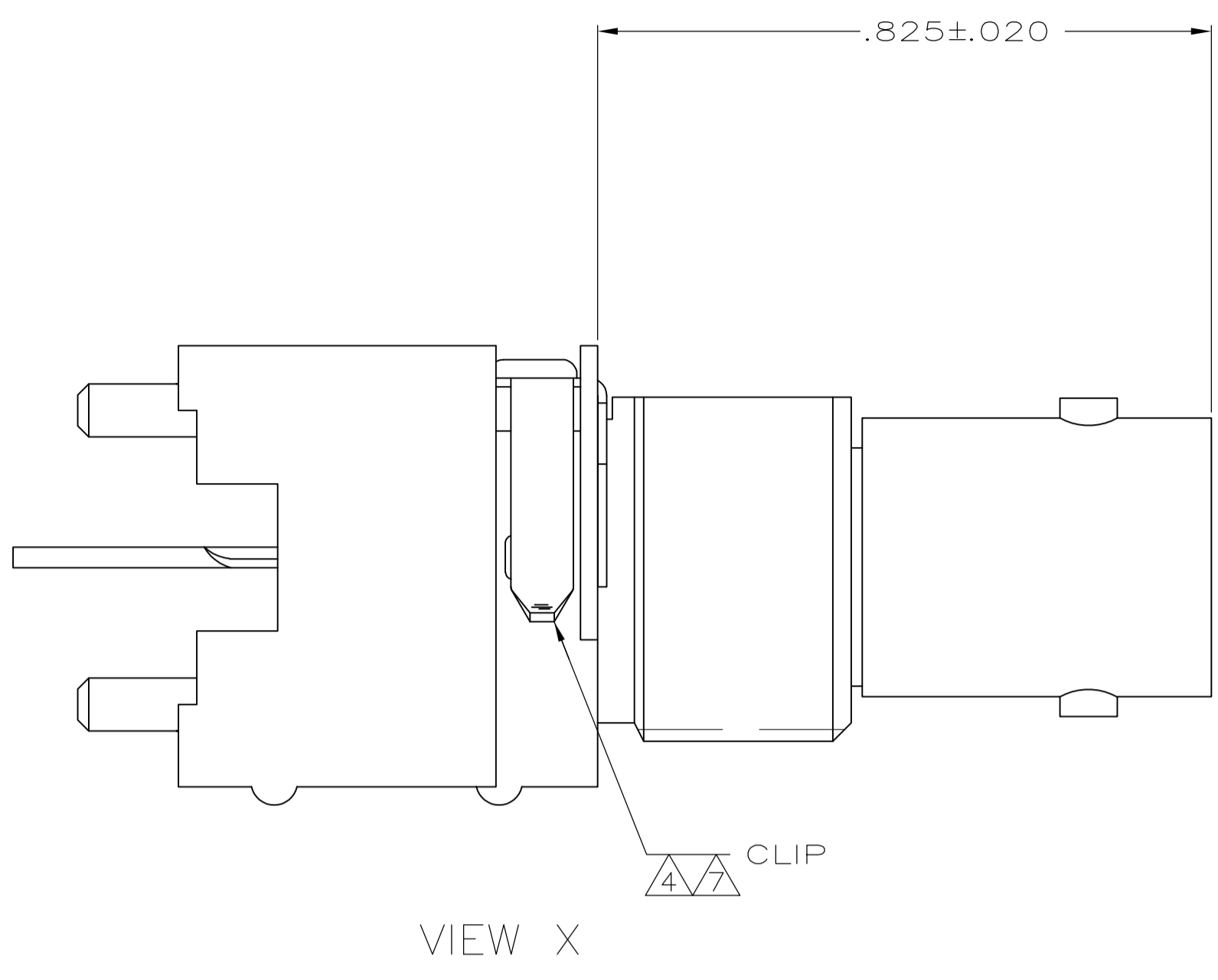
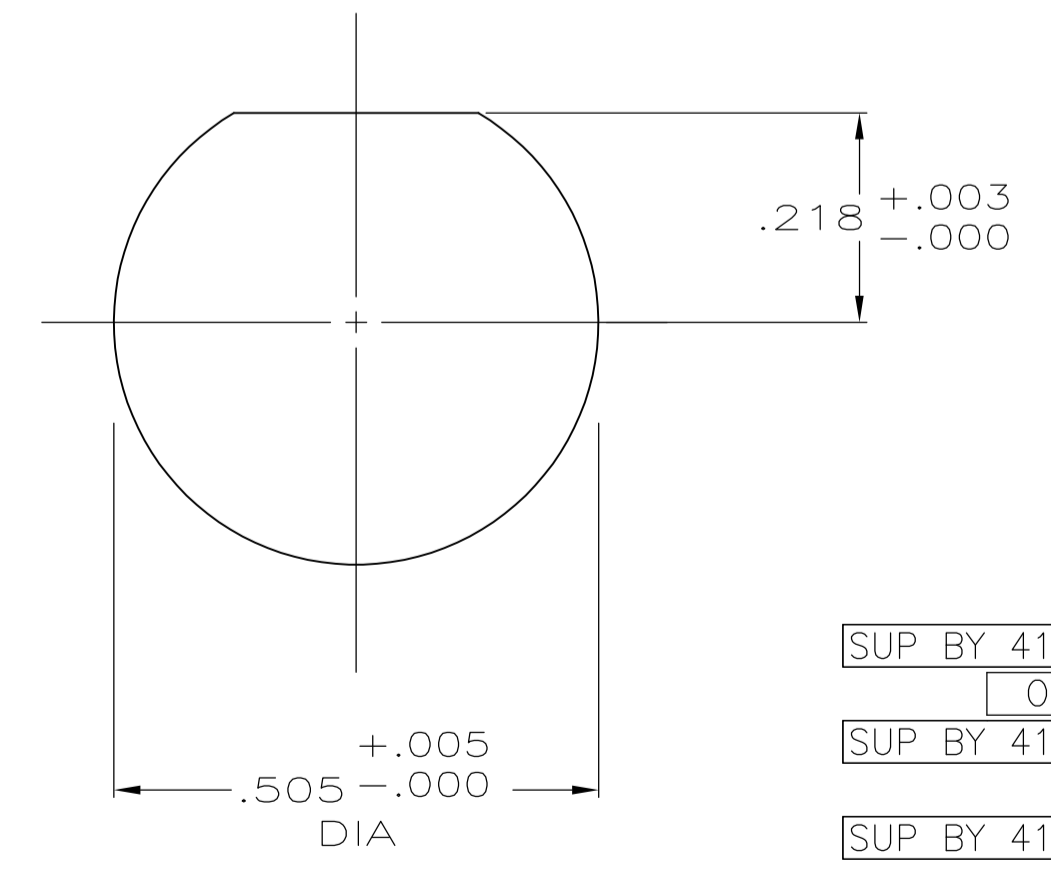
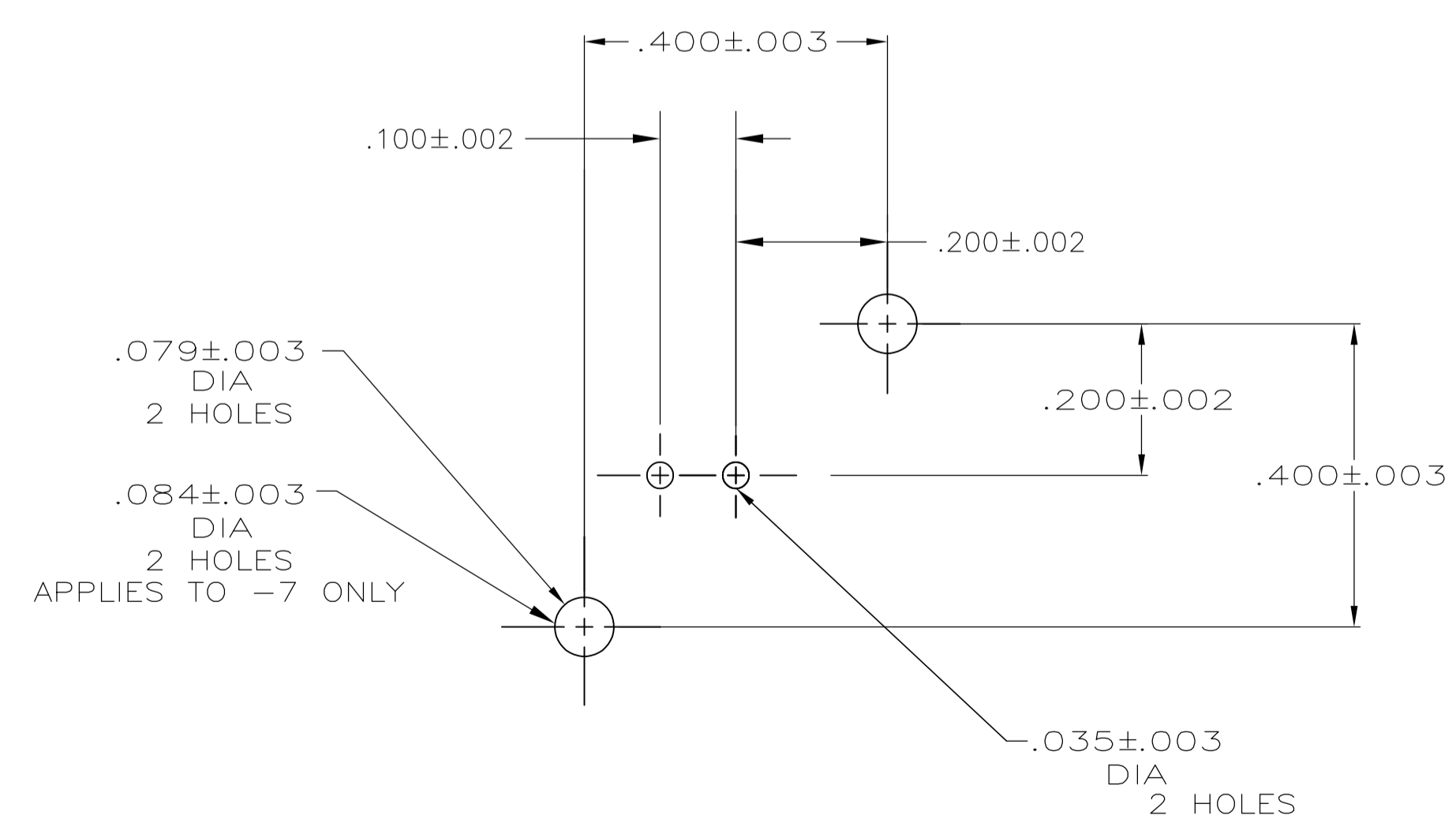
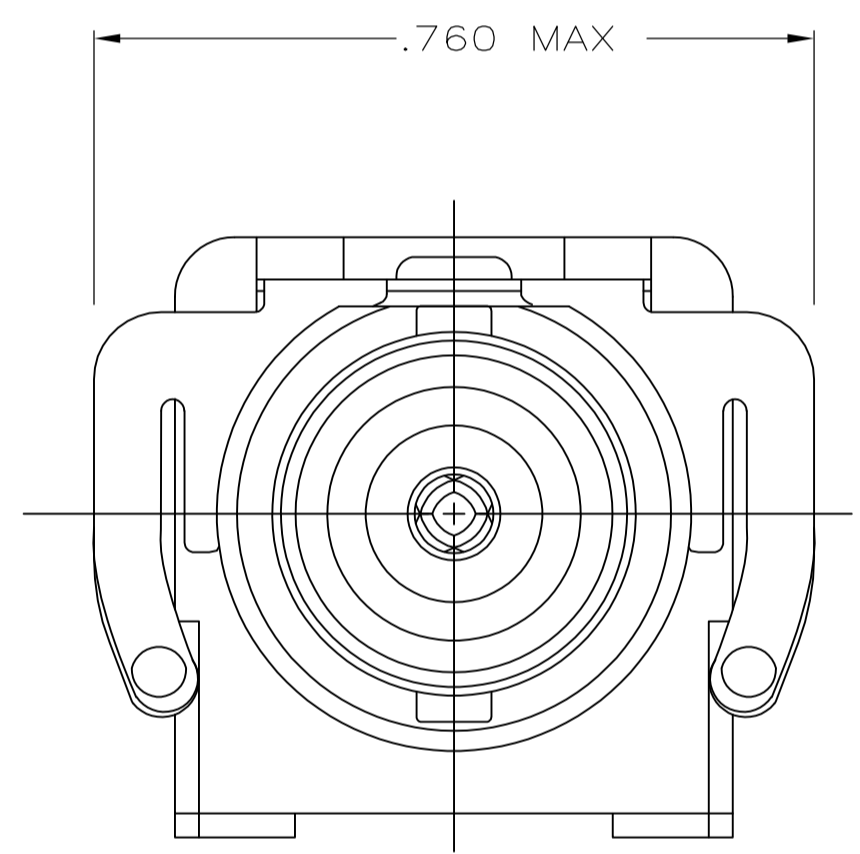
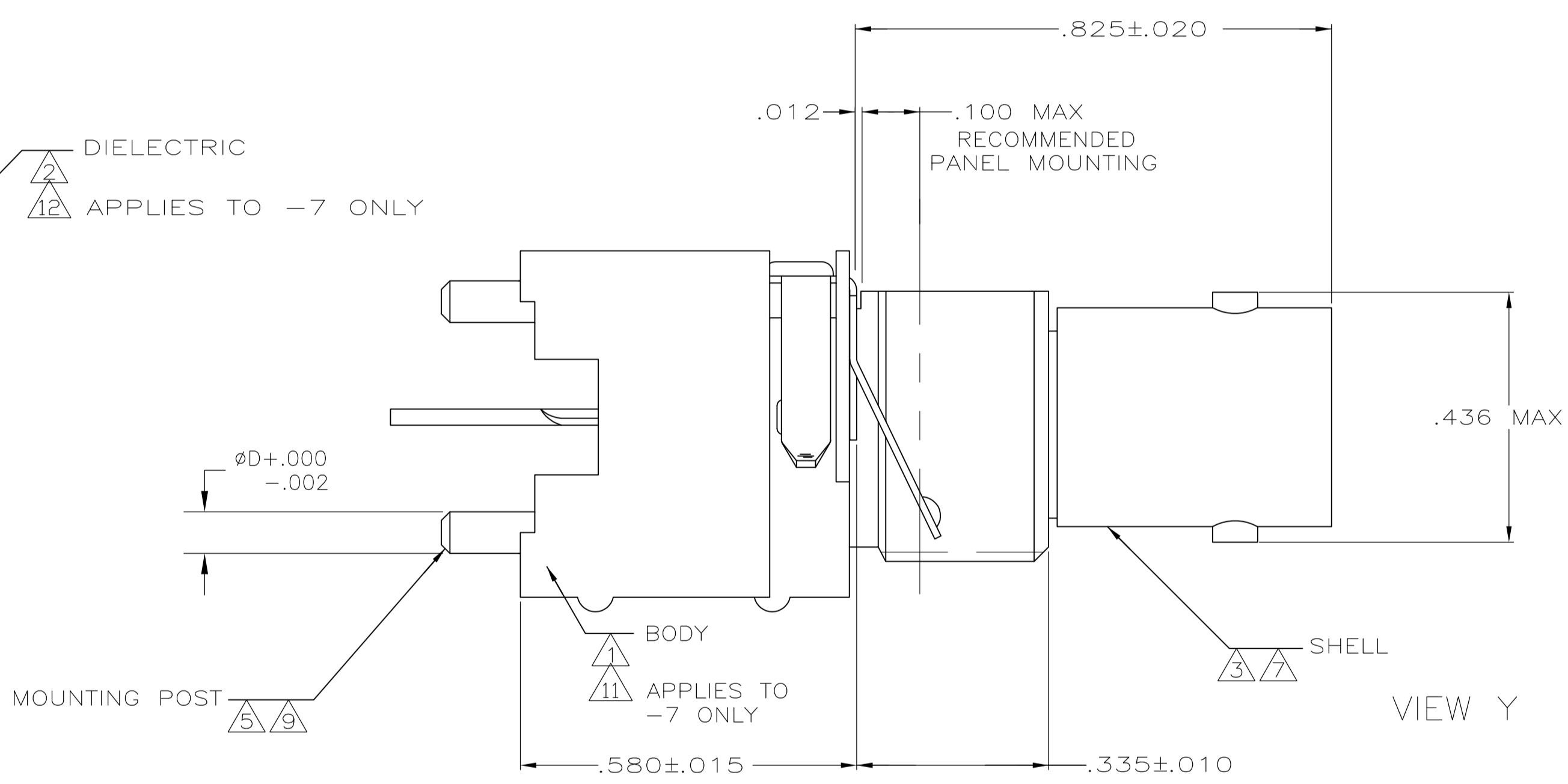
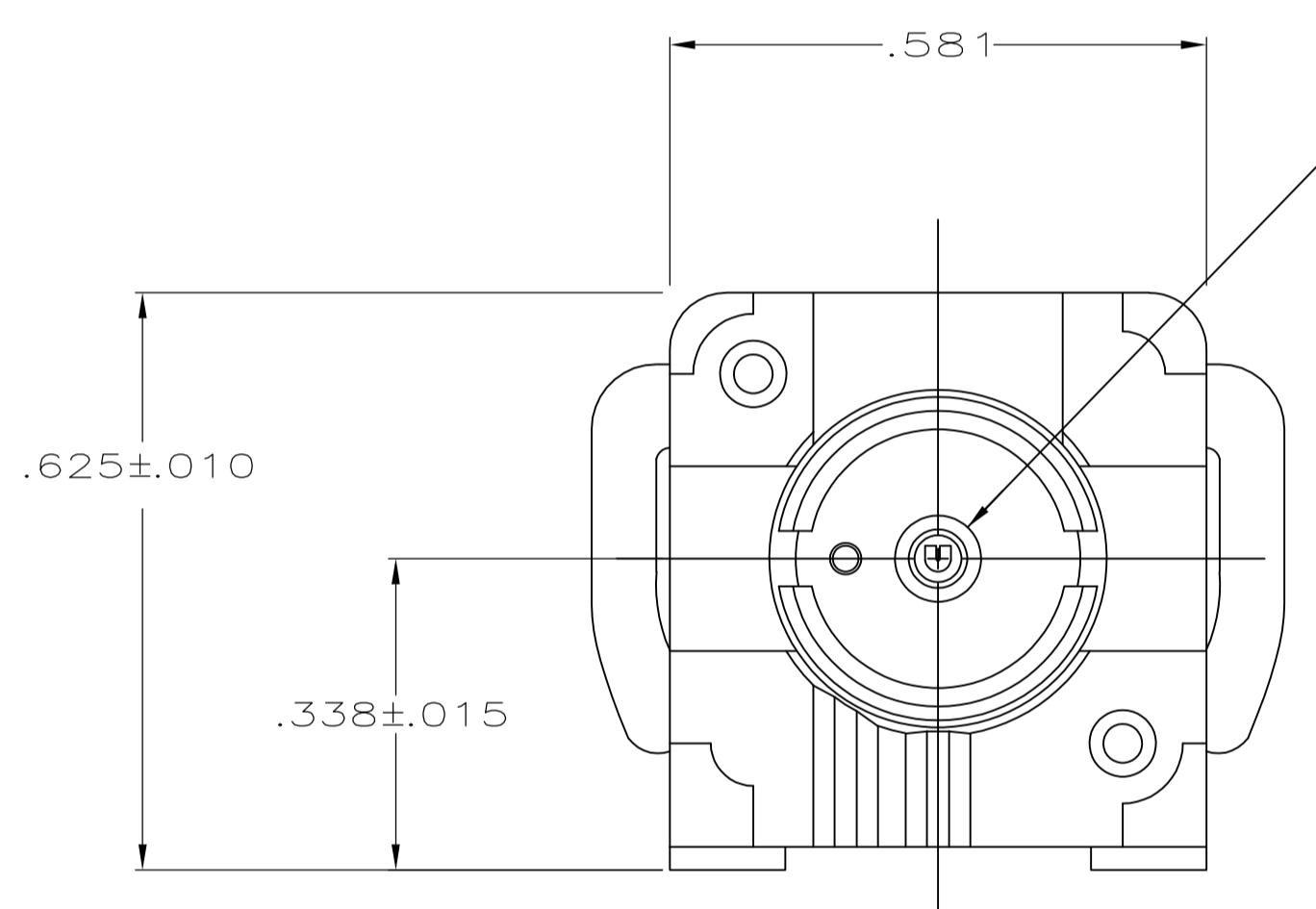


LOC		DIST		REVISIONS			
REV	DATE	BY	CHK	DESCRIPTION	DATE	BY	CHK
V	7/21/2008	DW	JL	REVISED PER ECO-08-009474			
W	10/9/2009	AEG	WKE	REVISED PER ECO-09-005412			
W1	13JAN10	KK	AEG	REVISED PER ECO-10-000443			



- 1 POLYESTER, PBT, BLACK, PER MIL-M-24519
- 2 POLYMETHYLPENTENE GENERAL PURPOSE
- 3 ZINC PER QQ-Z-363
- 4 PHOSPHOR BRONZE PER QQ-B-750
- 5 BRASS PER QQ-B-626
- 6 BRASS PER ASTM-B-453
- 7 NICKEL PL PER QQ-N-290
- 8 TIN PL PER ASTM-B-545
- 9 TIN PL PER ASTM-B-545
- 10 SELECTIVELY GOLD PLATED ON INTERFACE AREA PER: MIL-G-45204, .000030 THK, TIN PLATED ON SOLDER TAIL PER: ASTM-B-545, ALL OVER NICKEL PL PER: QQ-N-290
- 11 POLYESTER, PCT, BLACK, GENERAL PURPOSE
- 12 PTFE PER ASTM-D-1710
- 13 TRAY PACKAGING.



W	øD	L	CLIP VIEW	CAPACITANCE AND VOLTAGE	PART NUMBER
				.169 +.008 -.007	413476-7
				.077	413476-6
				.137	413476-5
				Y	413476-4
				9400 pf, 1500 VDC	413476-3
				9400 pf, 1500 VDC	413476-2
				9400 pf, 500 VDC	413476-1
				9400 pf, 1500 VDC	
				9400 pf, 1500 VDC	
				9400 pf, 500 VDC	
				9400 pf, 1500 VDC	
				9400 pf, 500 VDC	

THIS DRAWING IS A CONTROLLED DOCUMENT.

DIMENSIONS: INCHES

TOLERANCES UNLESS OTHERWISE SPECIFIED:

0 PL	±	-
1 PL	±	-
2 PL	±	-
3 PL	±	.008
4 PL	±	-
ANGLES	±	-

MATERIAL FINISH

1-6 11 12 7 8 9 10

THIS DRAWING IS A CONTROLLED DOCUMENT.

DATE: 5/3/90

BY: P. KERLIN

CHK: R.E. RUTH

APVD: -

NAME: -

PRODUCT SPEC: 108-1269

APPLICATION SPEC: -

SIZE: A1

CAGE CODE: 00779

DRAWING NO: 413476

RESTRICTED TO: -

SCALE: 5:1

SHEET: 1 of 1

REV: W1

Tyco Electronics Corporation
Harrisburg, Pa 17105-3608

JACK, DECOUPLER, VERTICAL, PCB, SERIES BNC

CUSTOMER DRAWING