

NOTES:

1. MATERIALS AND FINISHES:

- BODY & BARREL - BRASS, NICKEL PLATING
- CONTACT - BeCu, GOLD PLATING
- INSULATOR - PTFE, NATURAL
- HEX NUT - BRASS, NICKEL PLATING
- LOCK WASHER - BRASS, NICKEL PLATING
- BULLET CONTACT - BRASS, GOLD PLATING
- FERRULE - COPPER, NICKEL PLATING
- O-RING & GASKET - SILICONE RUBBER, RED

2. ELECTRICAL:

- A. IMPEDANCE: 50 OHM
- B. FREQUENCY RANGE: DC-6 GHz
- C. VSWR (RETURN LOSS): 1.25 MAX. @ DC - 6 GHz
- D. DIELECTRIC WITHSTANDING VOLTAGE: 1000 VRMS. MIN.

3. MECHANICAL:

- A. DURABILITY: 500 CYCLES MIN.
- B. TEMPERATURE RANGE: -65°C TO 165°C
- C. SEALING: MEETS IP67 REQUIREMENTS IN UNMATED CONDITION

4. PACKAGING:

- A. QUANTITY: SINGLE PACK
- B. MARKING: PACKAGING TO BE MARKED "AMPHENOL RF, 901-10812, AND DATE CODE"
- C. HEX NUT, LOCK WASHER, FERRULE, BULLET CONTACT AND GASKET ARE PACKAGED LOOSE

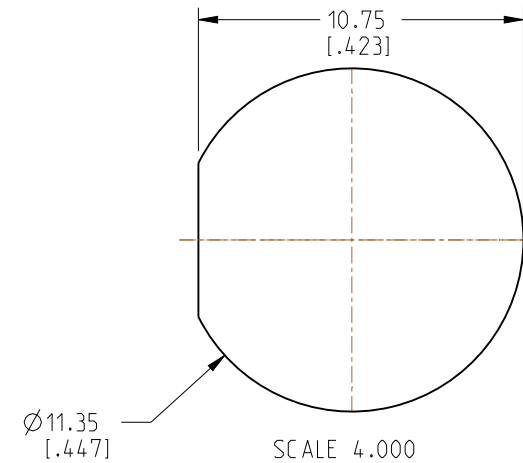
5. CABLE ASSEMBLY INSTRUCTIONS:

- A. TRIM CABLE AS SHOWN.
- B. SLIDE FERRULE ONTO CABLE.
- C. SOLDER CABLE CENTER CONDUCTOR TO BULLET CONTACT
- D. INSERT CABLE WITH FOIL ENTERING CONNECTOR AND BRAID OVER KNURL.
- E. CRIMP FERRULE OVER BRAID WITH .105" HEX.

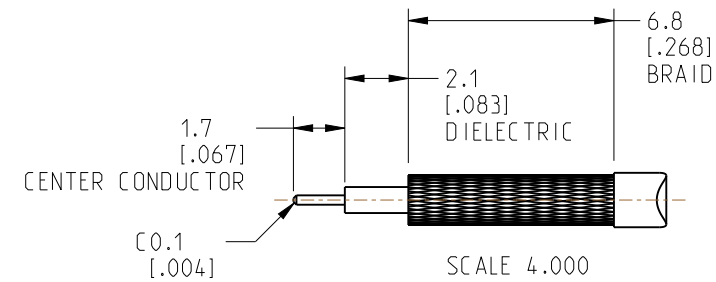
6. CABLE ENTRY DIMENSIONS.

7. MAX. PANEL THICKNESS=5.0 MM

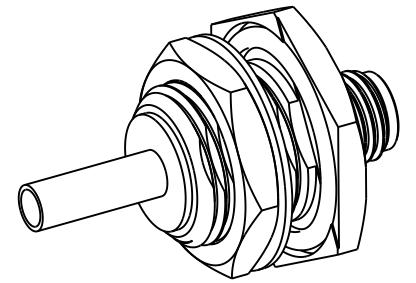
REVISIONS				
REV	DESCRIPTION	DATE	ECN	BY
A	RELEASE TO MFG.	27-NOV-21	16027	SH



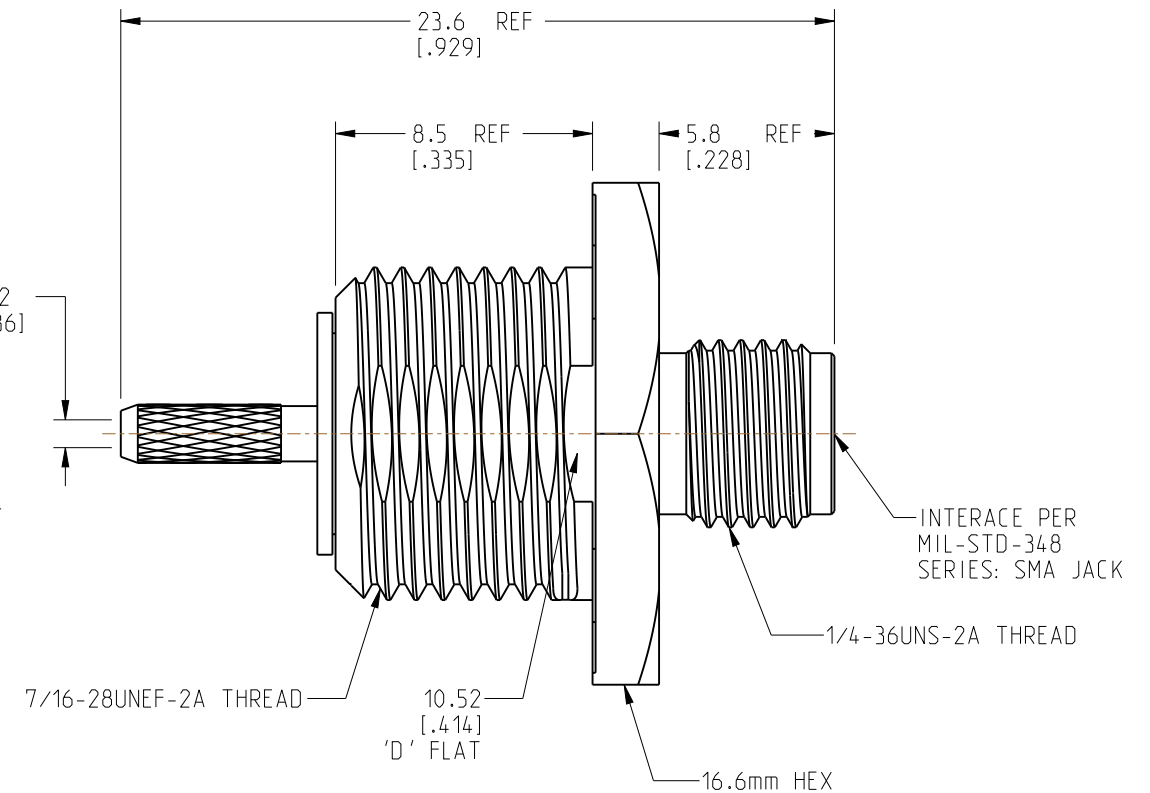
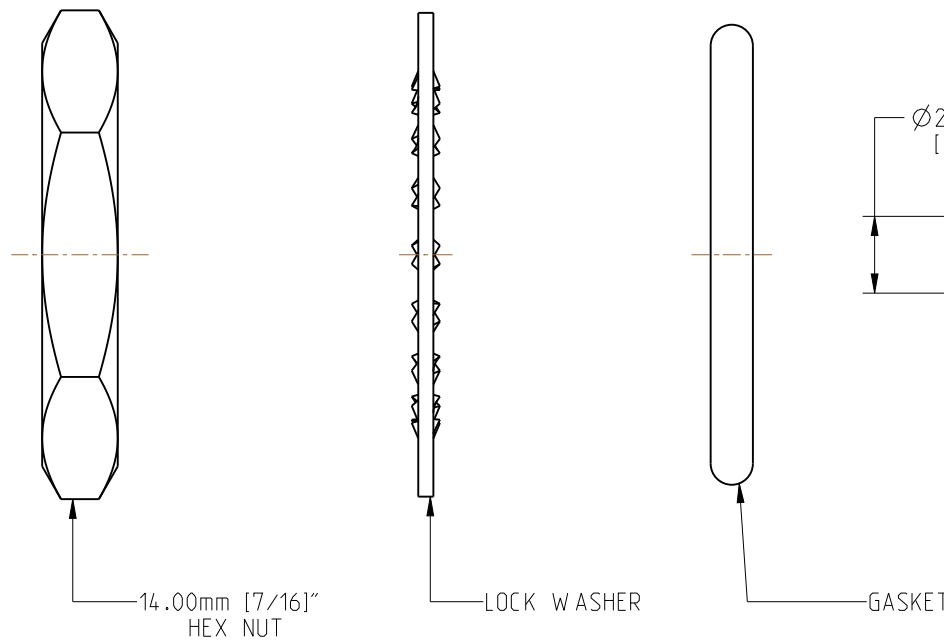
RECOMMENDED MOUNTING HOLE DIMENSIONS



RECOMMENDED CABLE STRIPPING DIMENSIONS



SCALE 2.000



CUSTOMER OUTLINE DRAWING

ALL OTHER SHEETS ARE FOR INTERNAL USE ONLY

NOTICE: These drawings, specifications, or other data (1) are, and remain the property of Amphenol corp. (2) must be returned upon request; and (3) are confidential and not to be disclosed to any person other than those to whom they are given by Amphenol Corp. The furnishing of these drawings, specifications, or other data by Amphenol Corp., or to any other person to anyone for any purpose is not to be regarded by implication or otherwise in any manner licensing, granting rights to permitting such holder or any other person to manufacture, use or sell any product, process or design, patented or otherwise, that may in any way be related to or disclosed by said drawings, specifications, or other data.

UNLESS OTHERWISE SPECIFIED DIMENSIONS ARE METRIC (INCHES) AND TOLERANCES ARE:
 <0.5mm = ±0.05mm [$<0.020 = \pm 0.002$]
 0.5 - 6mm = ±0.1mm [$>0.020 - 0.236 = \pm 0.004$]
 >6.00 - 30mm = ±0.2mm [$>0.236 - 1.181 = \pm 0.008$]
 >30.00 - 120mm = ±0.3mm [$>1.181 - 4.725 = \pm 0.012$]

MATERIAL
 ENGR.1 C.CROTTY ENGR.2 JACK LIANG DATE 16-APR-21

TITLE
 SMA BHD JACK FRONT MOUNT IP67 FOR RG-178 CABLE
 SHEET NO. 2 OF 2 SCALE: 4.0:1.0

Amphenol RF
 DRAWING NO. 901-10812
 ITEM NO. 901-10812
 PART NO. 901-10812
 REV A

THIRD ANGLE PROJ.

REFERENCE 901-10742 EAR# 10107

ANGLES = ±1°