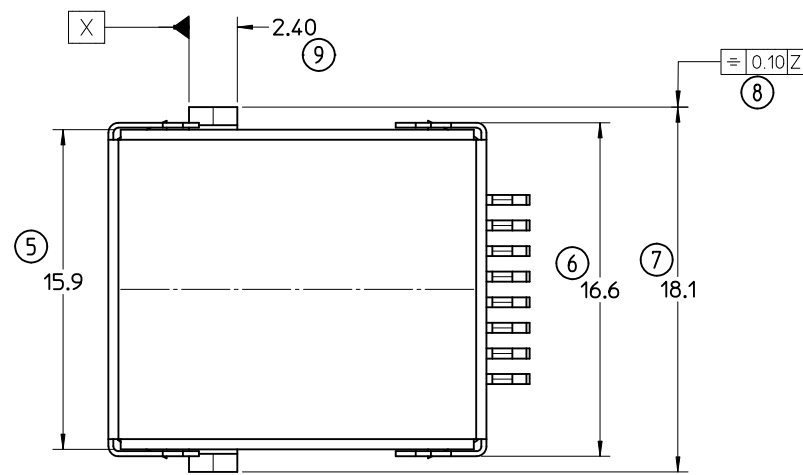


PART No.	
95622-4883	

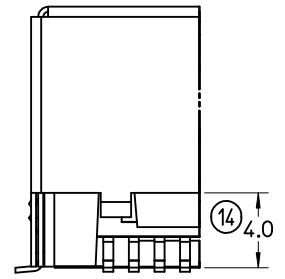
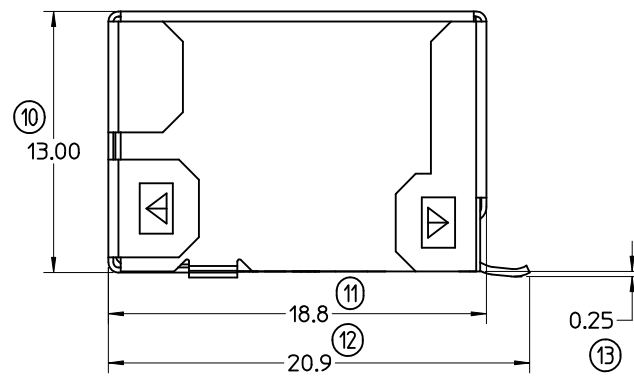
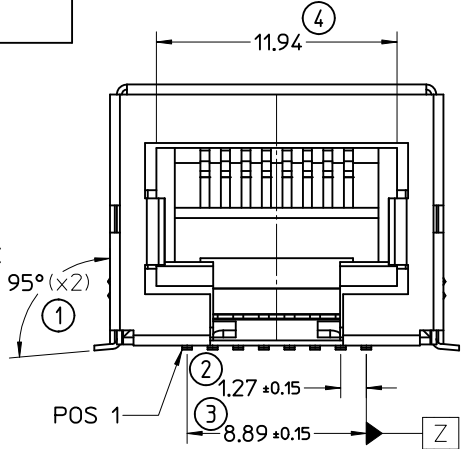


- NOTES:**
- 1- JACK FOR MATING WITH SHIELDED PLUG (MOLEX 95043 AND 85568 SERIES)
 - 2- PRODUCT SPECIFICATION: PS-95622-001
 - 3- PACKAGING SPECIFICATION: PK-95122-002 (BLISTER ON REEL)
 - 4- COPLANARITY OF SIGNAL LEADS: 0.10MAX
 - 5- RECOMMENED PCB THICKNESS 1.57

LAST INSPECTION No: 15

TECHNICAL SPECIFICATIONS:
MATERIAL:

HOUSING: LCP GLASS FILLED UL 94V-0, COLOUR BLACK.
 TERMINAL: COPPER ALLOY PLATED WITH:
 BASE FINISH: NICKEL
 CONTACT SURFACE FINISH:
 GOLD
 OR
 GOLD FLASH OVER PALLADIUM NICKEL.
 EXCEEDS PRODUCT REQUIREMENTS BASED ON PS-95622-001
 SHIELD: COPPER ALLOY PLATED WITH TIN.



PARTIAL1
Scale 4:1

REMOVED OPTION	DESCRIPTION	QUALITY SYMBOLS
EC NO: IPG2012-0746	2012/06/26	▽=0
DRWN:DBYRNES	2012/04/17	∇=0
CHKD:		
APPR:EFOLAN		
D	REV	

GENERAL TOLERANCES (UNLESS SPECIFIED)	
mm	INCH
4 PLACES ± ---	± ---
3 PLACES ± ---	± ---
2 PLACES ± 0.25	± ---
1 PLACE ± 0.35	± ---
ANGULAR ± 2 °	
DRAFT WHERE APPLICABLE MUST REMAIN WITHIN DIMENSIONS	

DIMENSION STYLE	
MM ONLY	
DRAWN BY	DATE
DBYRNES	2006/07/27
CHECKED BY	DATE
EOMAHONY	2006/07/28
APPROVED BY	DATE
EOMAHONY	2006/07/28
MATERIAL NO.	
SEE CHART	
SIZE	
A3	

SCALE	DESIGN UNITS	THIRD ANGLE PROJECTION
4:1	METRIC	☉
TITLE		
FULLY SHIELDED TRUE SMT RIGHT ANGLE MODULAR JACK 8 CIRCUIT		
MOLEX INCORPORATED		
MATERIAL NO.	DOCUMENT NO.	SHEET NO.
	SD-95622-008	1 OF 1
THIS DRAWING CONTAINS INFORMATION THAT IS PROPRIETARY TO MOLEX INCORPORATED AND SHOULD NOT BE USED WITHOUT WRITTEN PERMISSION		