

63010-1 ✓ ACTIVE

FASTON | FASTON 250

TE Internal #: 63010-1

Quick Disconnects, Receptacle, 18 – 14 AWG Wire Size, .82 – 2.08 mm<sup>2</sup> Wire Size, Mating Tab Width 6.35 mm [.25 in], Flag, Brass, FASTON 250

[View on TE.com >](#)



Terminals & Splices > Quick Disconnects



Quick Disconnect Terminal Type: **Receptacle**

Wire Size: **.82 – 2.08 mm<sup>2</sup>**

Mating Tab Width: **6.35 mm [.25 in]**

Mating Tab Thickness: **.81 mm [.032 in]**

## Features

### Product Type Features

Insertion Force	Normal
-----------------	--------

### Configuration Features

Connection Capacity	Single
---------------------	--------

Compatible With Wire & Cable Type	Discrete Wire
-----------------------------------	---------------

### Contact Features

Quick Disconnect Terminal Type	Receptacle
--------------------------------	------------

Mating Tab Width	6.35 mm [.25 in]
------------------	------------------

Mating Tab Thickness	.81 mm [.032 in]
----------------------	------------------

Terminal Orientation	Flag
----------------------	------

Contact Base Material	Brass
-----------------------	-------

Terminal Plating Material	Tin
---------------------------	-----

Crimp Type	F-Crimp
------------	---------

Barrel Type	Open
-------------	------

### Termination Features



Product Terminates To	Wire & Cable
-----------------------	--------------

### Mechanical Attachment

Wire Insulation Support	With
-------------------------	------

Mating Retention Type	Dimple
-----------------------	--------

### Dimensions

Terminal Material Thickness	.41 mm[.016 in]
-----------------------------	-----------------

Product Length	13.72 mm[.54 in]
----------------	------------------

Compatible Insulation Diameter Range	2.79 – 4.06 mm[.11 – .16 in]
--------------------------------------	------------------------------

Wire Size	.82 – 2.08 mm <sup>2</sup>
-----------	----------------------------

### Usage Conditions

Insulation Option	Uninsulated
-------------------	-------------

Operating Temperature Range	-40 – 110 °C[-40 – 230 °F]
-----------------------------	----------------------------

### Industry Standards

Agency/Standard	CSA, UL
-----------------	---------

### Packaging Features

Packaging Quantity	11000
--------------------	-------

Packaging Method	Strip/Reel
------------------	------------

### Other

Line	Budget
------	--------

Terminals & Splices Comment	Right handed flag.
-----------------------------	--------------------

### Product Compliance

[For compliance documentation, visit the product page on TE.com>](#)

EU RoHS Directive 2011/65/EU	Compliant
------------------------------	-----------

EU ELV Directive 2000/53/EC	Compliant
-----------------------------	-----------

China RoHS 2 Directive MIIT Order No 32, 2016	No Restricted Materials Above Threshold
---	---

EU REACH Regulation (EC) No. 1907/2006	Current ECHA Candidate List: JUNE 2023 (235) Candidate List Declared Against: JAN 2021 (211) Does not contain REACH SVHC
--	--

Halogen Content	Low Halogen - Br, Cl, F, I < 900 ppm per homogenous material. Also BFR/CFR/PVC Free
-----------------	---

Solder Process Capability

Not applicable for solder process capability

## Product Compliance Disclaimer

This information is provided based on reasonable inquiry of our suppliers and represents our current actual knowledge based on the information they provided. This information is subject to change. The part numbers that TE has identified as EU RoHS compliant have a maximum concentration of 0.1% by weight in homogenous materials for lead, hexavalent chromium, mercury, PBB, PBDE, DBP, BBP, DEHP, DIBP, and 0.01% for cadmium, or qualify for an exemption to these limits as defined in the Annexes of Directive 2011/65/EU (RoHS2). Finished electrical and electronic equipment products will be CE marked as required by Directive 2011/65/EU. Components may not be CE marked. Additionally, the part numbers that TE has identified as EU ELV compliant have a maximum concentration of 0.1% by weight in homogenous materials for lead, hexavalent chromium, and mercury, and 0.01% for cadmium, or qualify for an exemption to these limits as defined in the Annexes of Directive 2000/53/EC (ELV). Regarding the REACH Regulation, the information TE provides on SVHC in articles for this part number is based on the latest European Chemicals Agency (ECHA) 'Guidance on requirements for substances in articles' posted at this URL: <https://echa.europa.eu/guidance-documents/guidance-on-reach>

## Compatible Parts



TE Part # 62418-1  
250 FASTON FLAG REC 22-16 AWG  
BR



TE Part # 626089-1  
250 FASTON FLAG REC 22-18 AWG  
BR



TE Part # 1742999-3  
250 FASTON, FLAG, REC., 18-14 AWG,  
TPBR



TE Part # 1969899-1  
250 FASTON HSG., FLAG, REC., 2 POS,  
BLACK



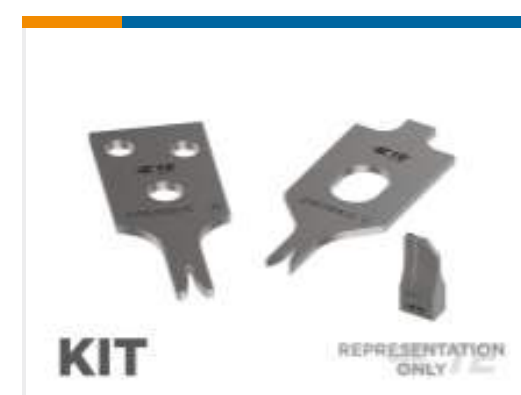
TE Part # 2-2150382-2  
OCEAN\_2\_0\_APPLICATOR-E-  
110F1800



TE Part # 2150382-2  
OCEAN\_2\_0\_APPLICATOR-E-  
110F1800



TE Part # 7-2150382-2  
OCEAN\_2\_0\_APPLICATOR-E-  
110F1800



TE Part # 7-2150382-7  
OCEAN\_2\_0\_SPARE\_PART\_KIT-  
110F1800



TE Part # 2150573-2  
OC-AT-E-FA-110F1800-001-0059



TE Part # 1-480306-1  
250 FASTON INSULATION POD., REC.,  
NATURAL



TE Part # 2-2150573-2  
OC-PA-E-FA-110F1800-001-0059

Also in the Series | **FASTON 250**



Compression Connectors(4)



Crimp Terminal Housings(142)



Insertion & Extraction Tools(6)



Magnet Wire Terminals(1)



PCB Terminals(135)



Quick Disconnects(445)



Splices(4)

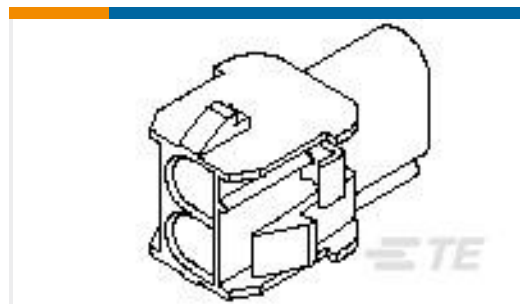
## Customers Also Bought



TE Part #5-1971775-3  
PTL 2X3 CAP PANEL MT HIGH TEMP  
KEY A LGR



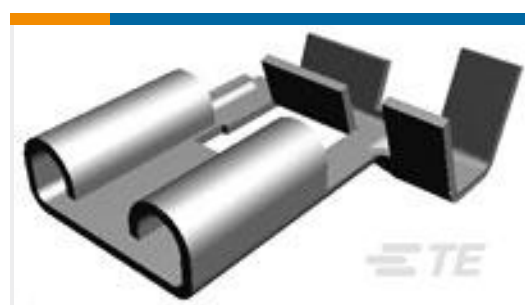
TE Part #1971785-1  
PTL RECEPTACLE CONTACT, 20 - 24  
AWG



TE Part #794815-1  
02P UMNL CAP HSG, HI TEMP



TE Part #63963-1  
250 FASTON FLAG REC 18-14 AWG  
NPST



TE Part #62718-2  
250 FASTON FLAG REC 22-18 AWG  
TPBR



TE Part #42722-1  
RING TONGUE 12-10 AWG BR



TE Part #2238197-3  
250 FASTON, FLAG, REC., 18-12 AWG,  
TPBR



TE Part #1971788-2  
PTL TAB CONTACT, 2X18 AWG



TE Part #1217039-1  
TIMER CONNECTOR GEN 3 18-14  
POST-TPBR



TE Part #353148-5  
POSITIVE LOCK 187 HOUSING  
RECEPTACLE

## Documents



### Product Drawings

#### 250 FASTON FLAG REC 18-14 AWG TPBR

English

---

### CAD Files

#### 3D PDF

3D

#### Customer View Model

[ENG\\_CVM\\_CVM\\_63010-1\\_AF.2d\\_dxf.zip](#)

English

#### Customer View Model

[ENG\\_CVM\\_CVM\\_63010-1\\_AF.3d\\_igs.zip](#)

English

#### Customer View Model

[ENG\\_CVM\\_CVM\\_63010-1\\_AF.3d\\_stp.zip](#)

English

By downloading the CAD file I accept and agree to the [Terms and Conditions](#) of use.

---

### Datasheets & Catalog Pages

#### 82004 FASTON Terminals (Insulated and Uninsulated) Catalog - FASTON Receptacles Section

English

---

### Product Specifications

#### Application Specification

English

---

### Product Environmental Compliance

#### TE Material Declaration

English

---

### Agency Approvals

#### CSA Certificate

English

#### CSA Certificate

English