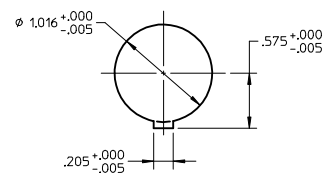
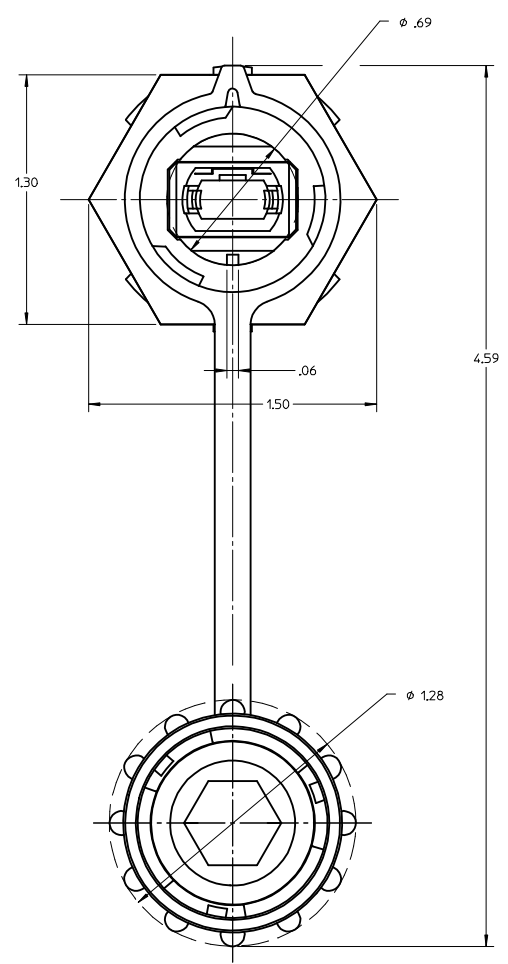
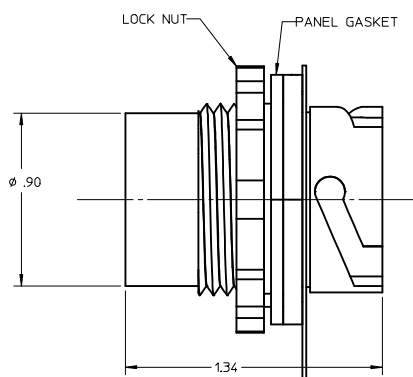
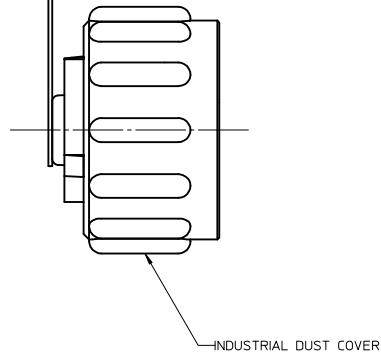


ISOMETRIC VIEW
SCALE: 1:1



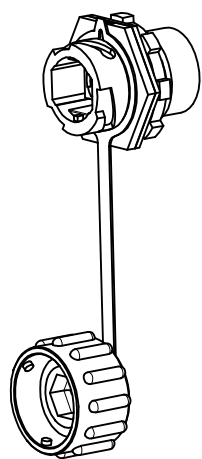
RECOMMENDED MOUNTING CUTOUT
SCALE: 1:1



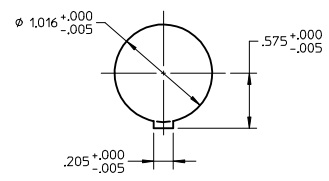
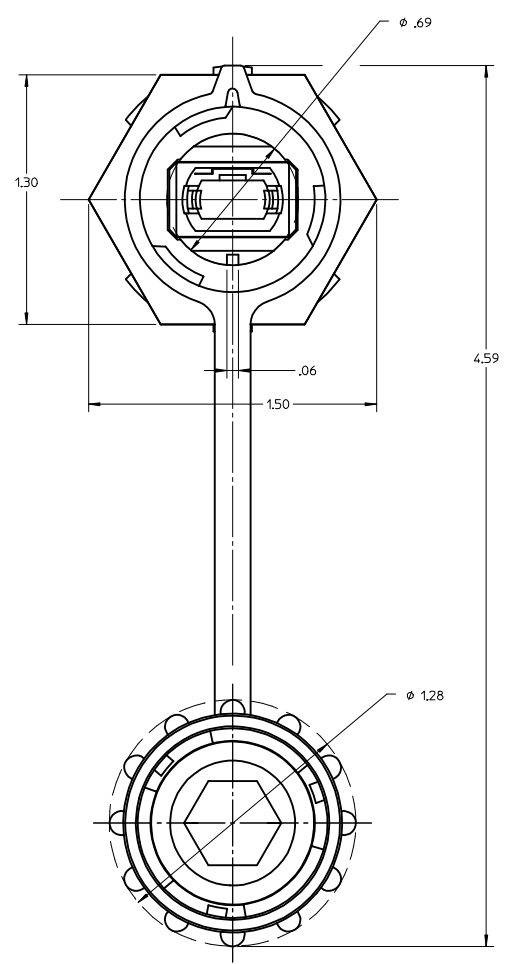
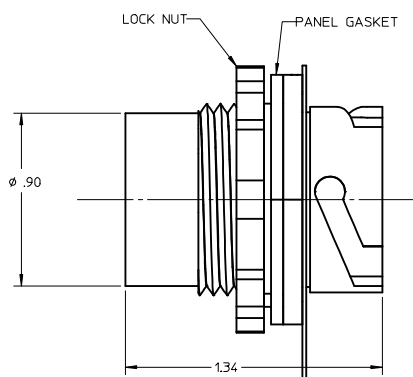
INDUSTRIAL DUST COVER

NOTE:
ALL DIMENSIONS ARE FOR REFERENCE ONLY.

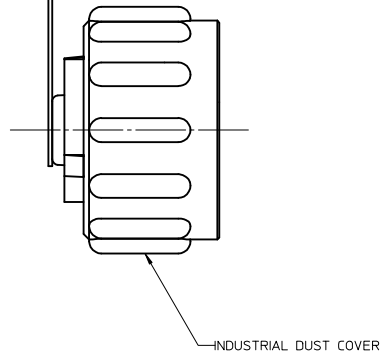
ENTER DESCRIPTION EC NO: MF2007-0002 DRWING: DBAL TRUKONIS 2006/07/07 CHKD: 2006/07/07 APPR: IGJMIN 2006/07/07 REV: A	QUALITY SYMBOLS ▽=0 ▽=0	GENERAL TOLERANCES (UNLESS SPECIFIED)		DIMENSION STYLE INCH ONLY	SCALE 2:1	DESIGN UNITS INCH	THIRD ANGLE PROJECTION	
		mm INCH	DRAWN BY D.B.	DATE 2006/6/30	TITLE MTP INDUSTRIAL ADAPTER			
		4 PLACES ± --- ± --- 3 PLACES ± --- ± --- 2 PLACES ± --- ± --- 1 PLACE ± --- ± ---	CHECKED BY DATE	APPROVED BY I.G. 2006/6/30				
		ANGULAR ±1/2°	MATERIAL NO. 1060596200	DOCUMENT NO. SD-106059-6200	SHEET NO. 1 OF 1			
DRAFT WHERE APPLICABLE MUST REMAIN WITHIN DIMENSIONS		THIS DRAWING CONTAINS INFORMATION THAT IS PROPRIETARY TO MOLEX INCORPORATED AND SHOULD NOT BE USED WITHOUT WRITTEN PERMISSION						



ISOMETRIC VIEW
SCALE: 1:1



RECOMMENDED MOUNTING CUTOUT
SCALE: 1:1



INDUSTRIAL DUST COVER

NOTE:
ALL DIMENSIONS ARE FOR REFERENCE ONLY.

ENTER DESCRIPTION EC NO: MF2007-0002 DRWING: DBAL TRUKON IS 2006/07/07 CHKD: 2006/07/07 APPR: IGJMIN 2006/07/07 REV A	QUALITY SYMBOLS ▽=0 ▽=0	GENERAL TOLERANCES (UNLESS SPECIFIED) <table border="1"> <tr> <td></td> <td>mm</td> <td>INCH</td> </tr> <tr> <td>4 PLACES</td> <td>± .005</td> <td>± .0005</td> </tr> <tr> <td>3 PLACES</td> <td>± .005</td> <td>± .0005</td> </tr> <tr> <td>2 PLACES</td> <td>± .005</td> <td>± .0005</td> </tr> <tr> <td>1 PLACE</td> <td>± .005</td> <td>± .0005</td> </tr> </table>		mm	INCH	4 PLACES	± .005	± .0005	3 PLACES	± .005	± .0005	2 PLACES	± .005	± .0005	1 PLACE	± .005	± .0005	DIMENSION STYLE INCH ONLY	SCALE 2:1	DESIGN UNITS INCH	THIRD ANGLE PROJECTION
		mm	INCH																		
	4 PLACES	± .005	± .0005																		
	3 PLACES	± .005	± .0005																		
2 PLACES	± .005	± .0005																			
1 PLACE	± .005	± .0005																			
DRAWN BY D.B.	DATE 2006/6/30	TITLE MTP INDUSTRIAL ADAPTER																			
CHECKED BY	DATE	APPROVED BY I.G.	DATE 2006/6/30	MOLEX INCORPORATED																	
MATERIAL NO. 1060596200	DOCUMENT NO. SD-106059-6200	DRAFT WHERE APPLICABLE MUST REMAIN WITHIN DIMENSIONS		SHEET NO. 1 OF 1	THIS DRAWING CONTAINS INFORMATION THAT IS PROPRIETARY TO MOLEX INCORPORATED AND SHOULD NOT BE USED WITHOUT WRITTEN PERMISSION																