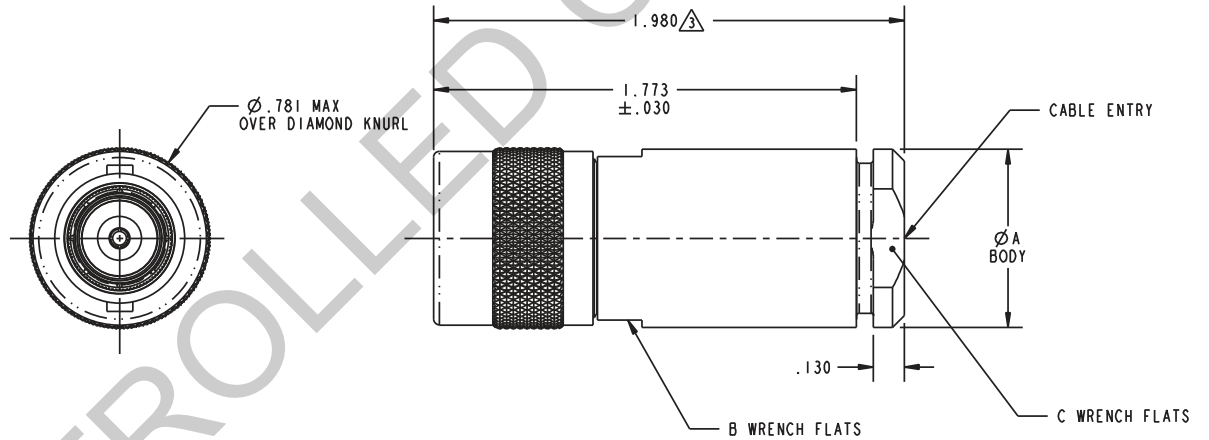


DASH NO	CABLES ACCOMMODATED	Ø A	B FLATS	C FLATS	ASSEMBLE PER			
-7	TRC-50-2/TRC-75-2	.750	.687	.625	TAI-175			
-8	8227, BELDEN				.990	.875	.875	TAI-116
-9	TWC-78-2, RG-108 TWC-124-2							
-10	754E, W.E.CO., RG-22							
-11	760A, W.E.CO.							
-12	16PEVL, W.E.CO.							
-13	TRF-59, TIMES							
-13A	8232, BELDEN							
-14	21-529, ESSEX 8233, BELDEN							
-14A	TRC-50-4A							
-15	21-583, ESSEX	.750	.687	.625				
-16	21-950, ESSEX				TAI-116			
-26	275-3962, MICROOOT				TAI-116			
-29	TWC-124-1A				TAI-175			
-32	TRC-50-1				TAI-124			
-33	TRC-75-1				TAI-175			
-42	21-204, ESSEX				.990	.875	.875	TAI-116
-46	9860, BELDEN							
-47	MI7/176-00002							
-54	89207, BELDEN							
-55	89272 BELDEN							
-61	5012W5812, RAYCHEM							
-62	7518A0811, RAYCHEM							

DATA CONTAINED IN THIS DOCUMENT IS PROPRIETARY TO CINCH CONNECTIVITY SOLUTIONS AND SHALL NOT BE DISCLOSED, COPIED OR USED FOR PROCUREMENT OR MANUFACTURE WITHOUT EXPRESS WRITTEN PERMISSION

REVISIONS			
REV	DESCRIPTIONS	DATE	APPROVED
AF	ECO 53317	6/20/11	TKO



-9 SHOWN

4. CONCENTRIC TWINAX/TRIAX "C" STYLE CABLE PLUG W/SOCKET CENTER CONTACT

3 DIM IS MAX WHEN ASSEMBLED TO CABLE

2. INTERFACE: TCS-PL80

1 FINISH: TFS-1A (NICKEL)

NOTES: UNLESS OTHERWISE SPECIFIED.

INTERPRET DRAWING PER MIL-STD-100, DIMENSIONS ARE IN INCHES AND INCLUDE FINISH UNLESS OTHERWISE SPECIFIED.

UNLESS OTHERWISE SPECIFIED: .XX ± .01 .XXX ± .005 .XXXX ± .0010 ANGLE ± P° 0' CRITICAL



Cinch Connectivity Solutions  
299 Johnson Ave. Ste. 100  
Waseca, MN 56093  
1-800-247-8256

MATERIAL:		TITLE: PL80	
DRG: N/A	CHK: TKO	DATE: 6/22/11	DATE: 6/20/11
QUALITY:	FINISH:	SIZE: B	CAGE CODE: 14949
BLANK LENGTH (REF. ONLY): N/A	APPROVED:	DRAWING NO.: 1-0156	REV: AF
SURFACE AREA:	PROF FILE NO: 1-0156	SCALE: 1/1	DATE: 4/28/89
DO NOT SCALE DIMS		SHEET 1 OF 2	