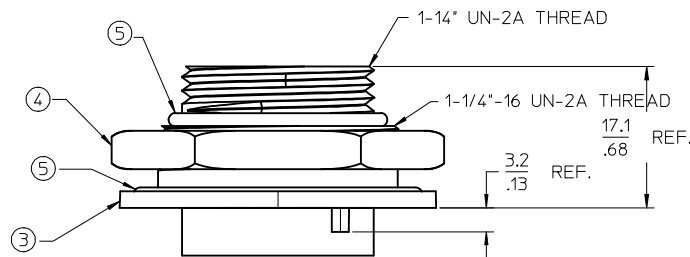
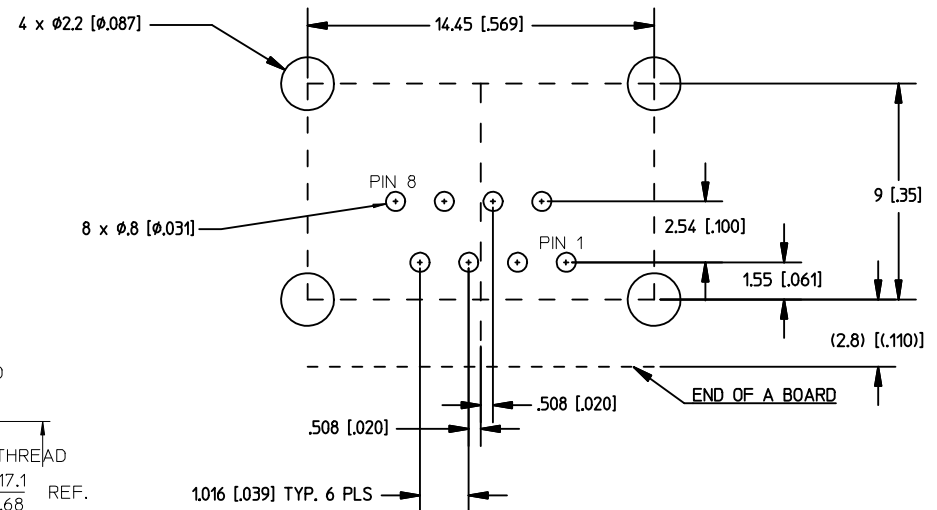
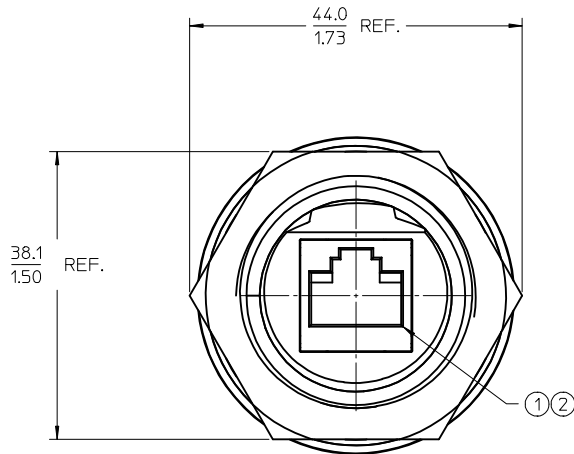
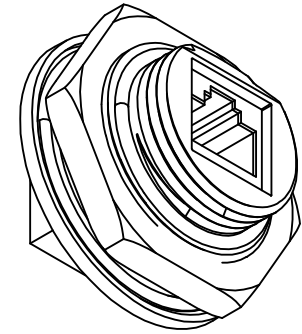


MATERIAL NUMBER	OLD PART NUMBER
1300530004	ENPR1FF5



BOARD MOUNTING DIMENSIONAL DRAWING
(CONNECTOR SIDE)

VOLTAGE RATING	125 VDC
AMPERAGE RATING	15 AMPS
PROTECTION	IP67
OPERATING TEMPERATURE	-20°C TO 80°C

ITEM	COMPONENT	MATERIAL	FINISH
1	CONTACT HOUSING	ABS	BLACK
2	CONTACT SOCKET	COPPER ALLOY	GOLD OVER NICKEL
3	RECEPTACLE SHELL	ABS	BLACK
4	COUPLING NUT	ABS	BLACK
5	O-RING	VITON	BLACK

ADDED MOUNTING HOLE PATTERN

EC NO: JFG2015-2173
 DRAWN: GUSTAFSON 2015/06/26
 CHKD: BARDEN 2015/08/05
 APPR: BWOODMAN 2015/07/08

QUALITY SYMBOLS
 ▽=0
 ▽=0

GENERAL TOLERANCES (UNLESS SPECIFIED)

	mm	INCH
4 PLACES	± .13	± .005
3 PLACES	± .13	± .010
2 PLACES	± .25	± .010
1 PLACE	± .25	± .010
0 PLACE	± .25	± .010

ANGULAR ± .5°
 DRAFT WHERE APPLICABLE MUST REMAIN WITHIN DIMENSIONS

DIMENSION STYLE
MM ONLY

DRAWN BY: GUSTAFSON
 DATE: 2015/06/26

CHECKED BY: BARDEN
 DATE: 2015/08/05

APPROVED BY: BWOODMAN
 DATE: 2015/07/08

MATERIAL NO.
SEE CHART

SCALE: 2:1
 DESIGN UNITS: METRIC
 THIRD ANGLE PROJECTION

TITLE: RJ-LNXX RECEPTACLE
 PCB MOUNT - VERTICAL

molex

DOCUMENT NO.: SD-130053-001
 SHEET NO.: 1 OF 1

THIS DRAWING CONTAINS INFORMATION THAT IS PROPRIETARY TO MOLEX INCORPORATED AND SHOULD NOT BE USED WITHOUT WRITTEN PERMISSION