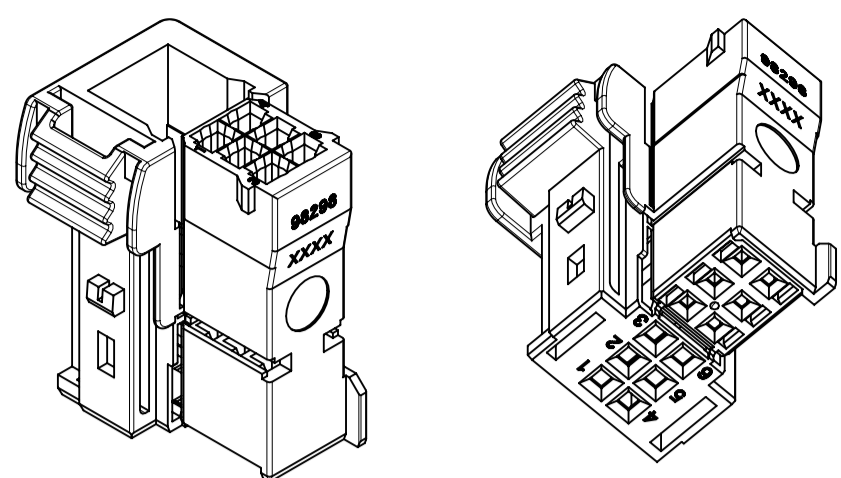
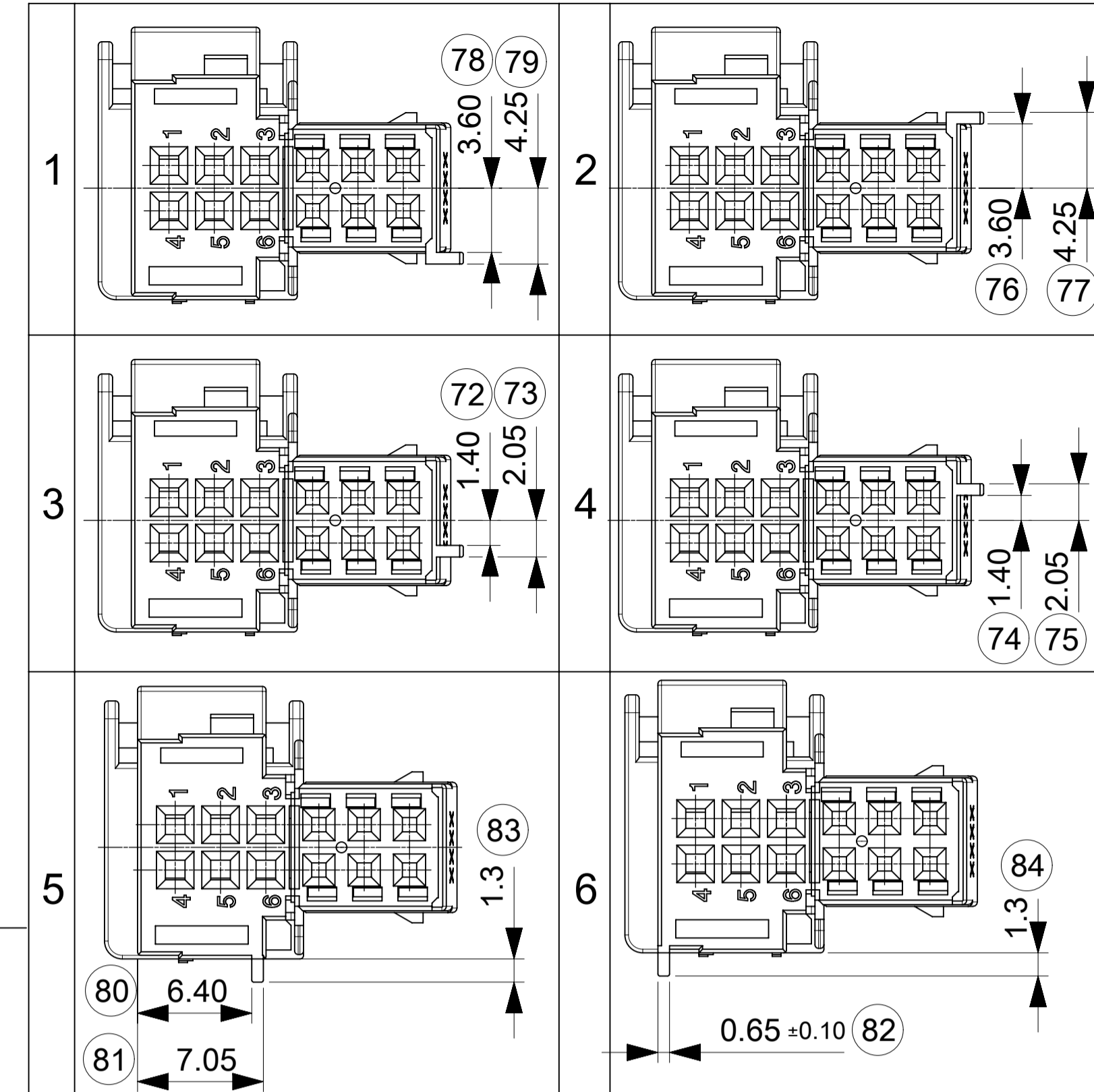
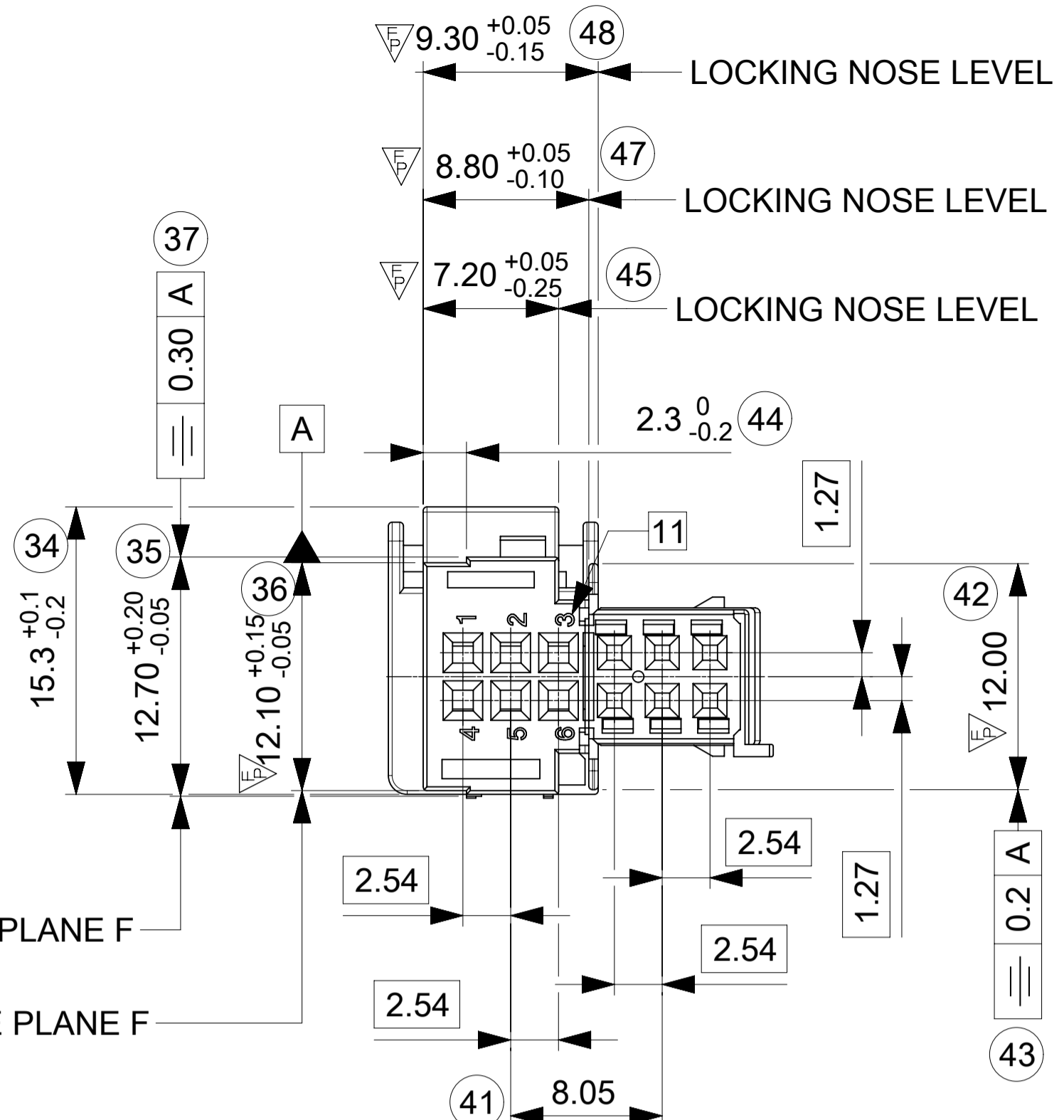
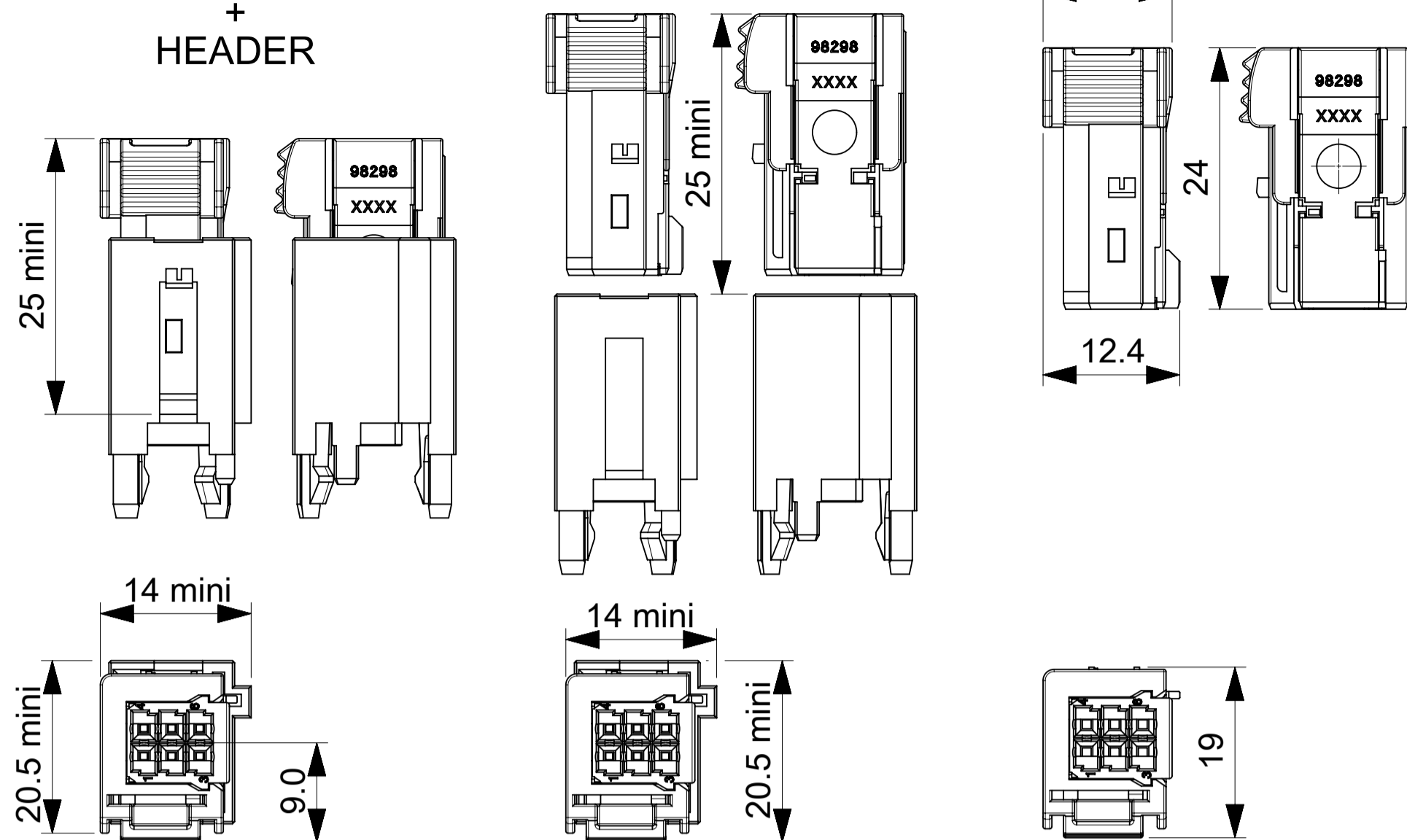


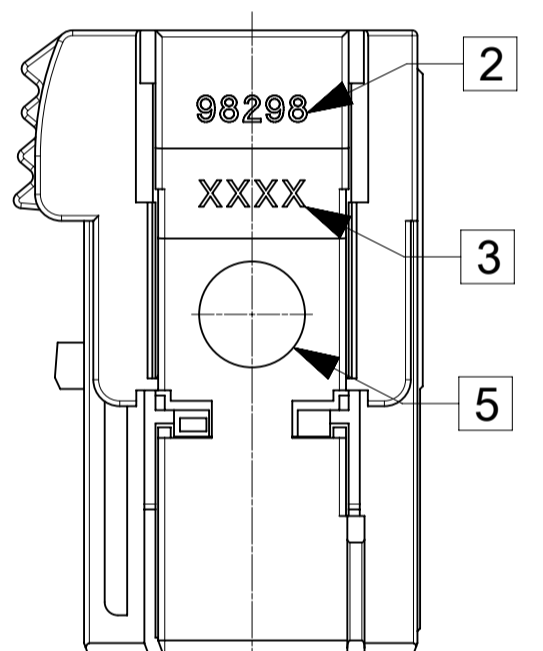
ISOMETRIC VIEWS



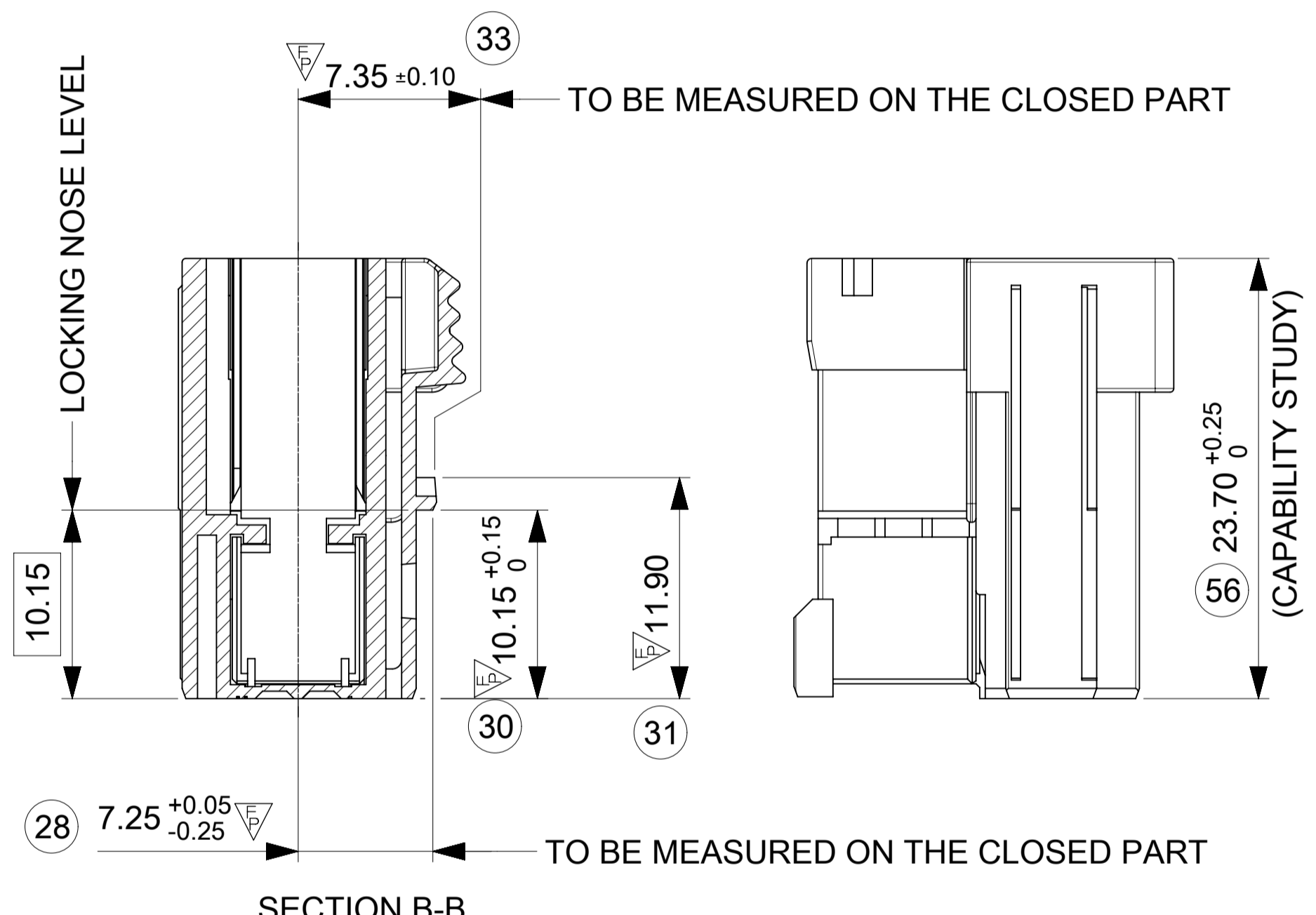
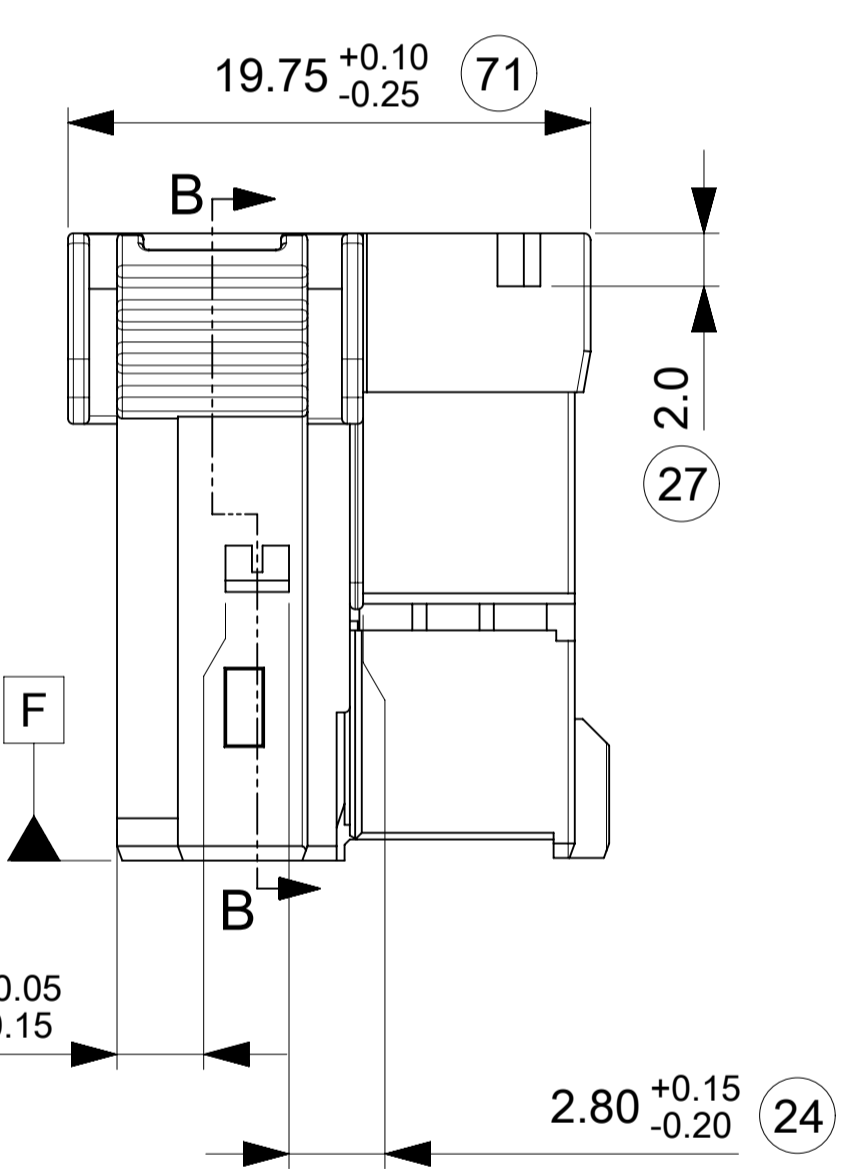
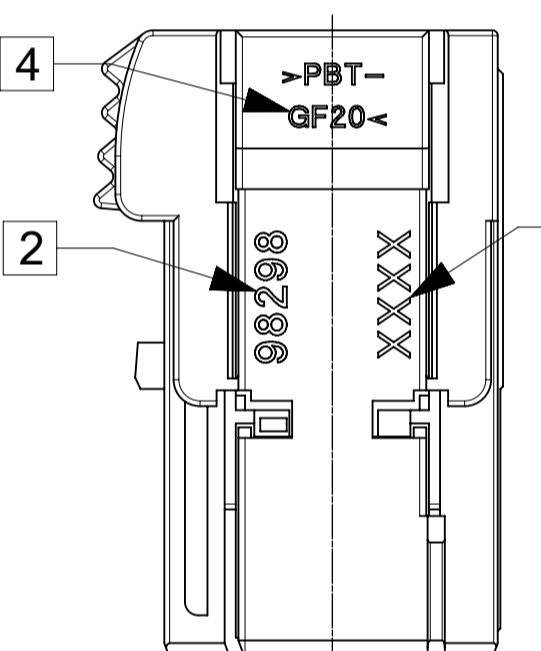
OVERALL DIMENSIONS
2x3 WAY BREAKABLE
+
HEADER



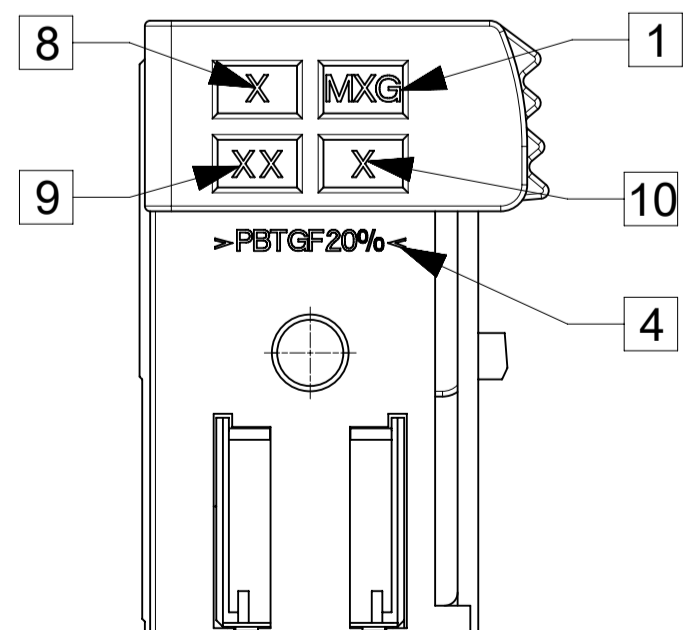
MOLD M1-M2
WIRE VERSION



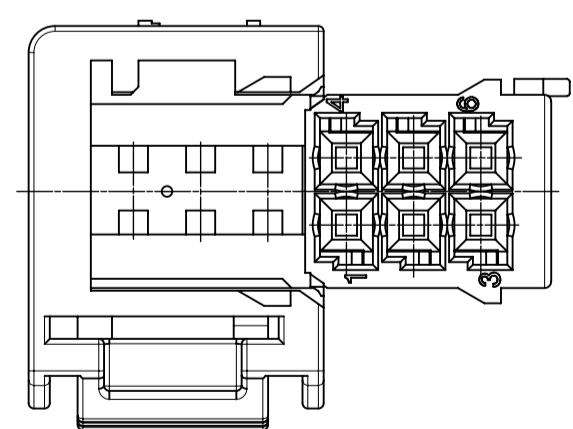
MOLD M3-M4
WIRE VERSION



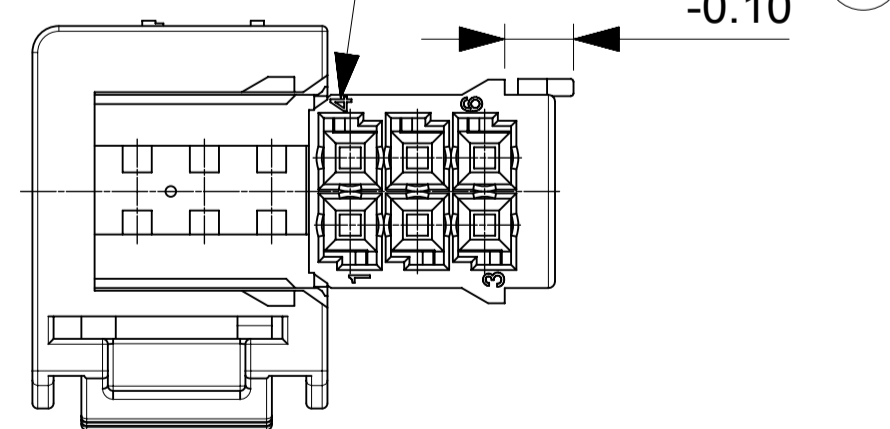
MOLD M1-M2
WIRE VERSION



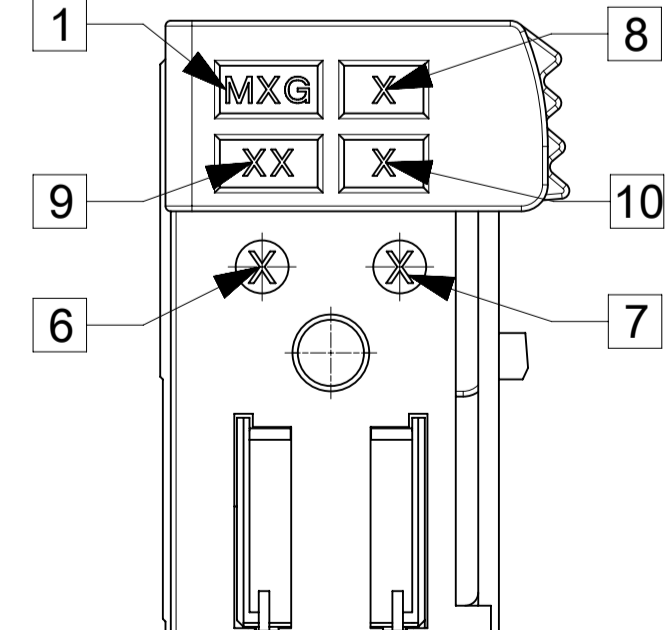
MOLD M3-M4
WIRE VERSION



MOLD M1-M2
WIRE VERSION



MOLD M3-M4
WIRE VERSION



CODING	COLOR	DESCRIPTION	MATERIAL NUMBER
6	BLEU BLUE	BLUE HSG WIRE	0982980006
5	GRIS GREY	GREY HSG WIRE	0982980005
4	MARRON BROWN	BROWN HSG WIRE	0982980004
3	VERTE GREEN	GREEN HSG WIRE	0982980003
2	BLANCHE WHITE	WHITE HSG WIRE	0982980002
1	NOIRE BLACK	BLACK HSG WIRE	0982980001

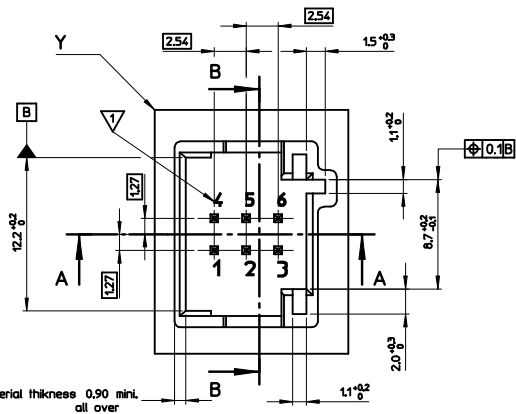
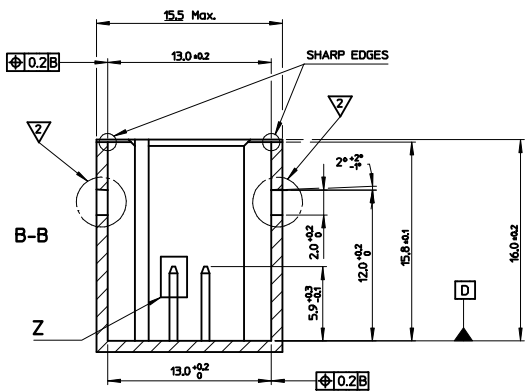
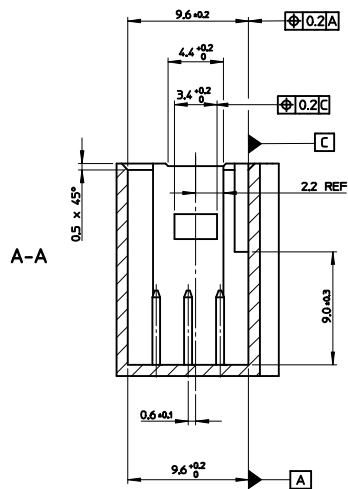
NOTES:

- 1 * Engineering control ID.
- 2 * Serie number.
- 3 * Part number.
- 4 * Material marking.
- 5 * Date indicator Year / Month.
- 6 * Applied to the Mold M3-M4. Date indicator Year.
- 7 * Applied to the mold M3-M4. Date indicator Month.
- 8 * Mold cavity marking.
- 9 * Mold revision level.
- 10 * MOLEX note.
- 11 * Cavity marking.

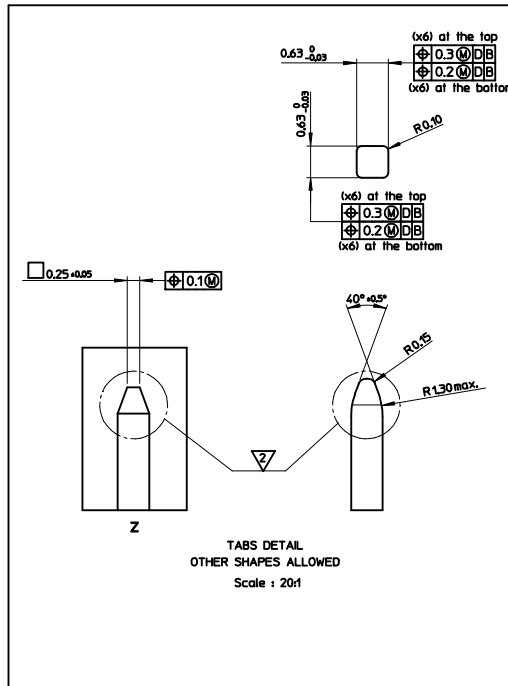
FUNCTIONAL SYMBOLS FA=0 FC=0 FP=9	THIS DRAWING CONTAINS INFORMATION THAT IS PROPRIETARY TO MOLEX ELECTRONIC TECHNOLOGIES, LLC AND SHOULD NOT BE USED WITHOUT WRITTEN PERMISSION		CURRENT REV DESC: SEE TABLE OF MODIFICATIONS	
	DIMENSION UNITS	SCALE	EC NO: 682793	
	mm	3.5:1	DRWN: YPUTTUR	2019/11/18
	GENERAL TOLERANCES (UNLESS SPECIFIED)		CHK'D: OPLESSIS	2021/11/08
		APPR: FPAROLARI	2021/11/08	
		INITIAL REVISION:		
4 PLACES ±		DRWN: PGRANDCL	2001/08/16	
3 PLACES ±		APPR: LSTICKEI	2001/08/22	
2 PLACES ± 0.05				
1 PLACE ± 0.1				
0 PLACES ±				
ANGULAR TOL ± 1.0°				
DRAFT WHERE APPLICABLE MUST REMAIN WITHIN DIMENSIONS		FIRST ANGLE PROJECTION	DRAWING SERIES	
		A1-SIZE	98298	
		MATERIAL NUMBER	CUSTOMER	
		SEE CHART	GENERAL MARKET	
		DOCUMENT NUMBER	DOC TYPE DOC PART REVISION	
		SD-98298-002	PSD 001 G1	
		SHEET NUMBER	1 OF 2	

G1	Remastered in ECTR marking ID 8, 9 and 10 corrected in view "MOLD M3-M4"	RMV02	See title block
G	Add view : mold M3-M4 (see D16)	PBO	09/10/23
F	<p>Addition of the Molds M3 and M4. Update breakable areas on M1-M2.</p> <p>Pos. 24: 2.80 +0.15/-0.20 was 2.80 +0.15/-0.05. Pos. 28: 7.25 +0.05/-0.25 was 7.25 ±0.05. Pos. 33: 7.35 ±0.10 was 7.35 ±0.05. Pos. 34: 15.3 +0.1/-0.2 was 15.26 +0.10/-0.15. Pos. 35: 12.70 +0.20/-0.05 was 12.70 ±0.05. Pos. 36: 12.10 +0.15/-0.05 was 12.10 ±0.05. Pos. 37: 0.30 was 0.10. Pos. 45: 7.20 +0.05/-0.25 was 7.20 ±0.05. Pos. 47: 8.80 +0.05/-0.10 was 8.80 ±0.05. Pos. 48: 9.30 +0.05/-0.15 was 9.30 ±0.05. Pos. 71: 19.75 +0.10/-0.25 was 19.75 ±0.10. Pos. 82: 0.65 ±0.10 was 0.65 ±0.05.</p> <p>Added Locking nose level dim. Pos. 45-47-48. Added At the reference plane F dim. Pos. 35-36. Added To be measured on the close part dim. Pos. 28-33. Added 10.15 Locking nose level. Added Datum line F. Added pos. 84. Added notes.</p>	PGR	07/05/03
E1	Dim rep43 becomes 2.30 0/-0.2mm, it was 2.10±0.05mm. Symetry dimension rep44 becomes 0.2mm, it was 0.1mm.	LST	05/10/03
E	<p>Update views.</p> <p>Pos23: 4.10 +0.05/-0.15 was 4.10 ±0.05. Pos24: 2.80 +0.15/-0.05 was 2.80 ±0.05. Pos34: 15.26 +0.10/-0.15 was 15.26±0.10.</p>	PGR	05/06/17
D	Update views	MRI	04/10/11
C	Addition coding 5 and 6	MRI	03/12/16
B	Update coding	PGR	02/07/24
A	Preliminary issue for customer	PPO	02/06/28
REV	DESCRIPTION	NAME	DATE
MODIFICATION			

FUNCTIONAL SYMBOLS	THIS DRAWING CONTAINS INFORMATION THAT IS PROPRIETARY TO MOLEX ELECTRONIC TECHNOLOGIES, LLC AND SHOULD NOT BE USED WITHOUT WRITTEN PERMISSION															
	FA= 0	DIMENSION UNITS	SCALE	CURRENT REV DESC: SEE TABLE OF MODIFICATIONS							molex					
FC= 0	mm	1:1	GENERAL TOLERANCES (UNLESS SPECIFIED)							6 WAY MOX OR 2X3 WAY BREAKABLE						
FP= 0												MM	INCH			
DIVISIONAL SYMBOLS	4 PLACES ±	±	EC NO: 682793 DRWN: YPUTTUR 2019/11/18 CHK'D: OPLESSIS 2021/11/08 APPR: FPAROLARI 2021/11/08 INITIAL REVISION: DRWN: PGRANDCL 2001/08/16 APPR: LSTICKEI 2001/08/22							DOCUMENT NUMBER SD-98298-002		DOC TYPE	DOC PART	REVISION		
	3 PLACES ±	±										PSD	001	G1		
	2 PLACES ±	0.05 ±										PRODUCT CUSTOMER DRAWING				
	1 PLACE ±	0.1 ±														
	0 PLACES ±	±														
	ANGULAR TOL ±	1.0 °	DRAFT WHERE APPLICABLE MUST REMAIN WITHIN DIMENSIONS							FIRST ANGLE PROJECTION		DRAWING	SERIES	MATERIAL NUMBER	CUSTOMER	SHEET NUMBER
										A1-SIZE		98298	SEE CHART	GENERAL MARKET	2 OF 2	



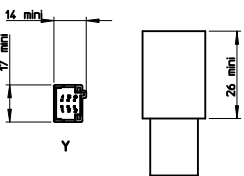
Regular material thickness 0.90 mini. all over



TABS DETAIL
OTHER SHAPES ALLOWED
Scale : 20:1

CODING BOARD			
ORIGINALS		COMPLEMENTARY CODING	
BROWN		GREY	
GREEN		BLUE	
WHITE		MALE HOUSING NOT AVAILABLE FOR COMPLEMENTARY CODING MECHANICAL SETTINGS CAN BE DIFFERENT FROM ORIGINAL CODING TO COMPLEMENTARY ONES.	
BLACK			

AREA FOR CONNECTOR ASSEMBLY
Scale: 1:1



NOTES:

- ▽ CAVITY PREINT MUST NOT GET OUTSIDE THE BOTTOM OF THE PREINT
- ▽ NO BURR ADMITTED IN THAT AREA
- 3 RADIUS WITHOUT DIMENSIONS R=0.5 MAX

Recommended Plastic Material: >PBT-GF20<
Recommended Metal Material: CuSn6 or CuFe2
Plating: 0.84µm to 3.34µm minus of pure tin (Sn)
1.314µm mini Nickel (Ni) underlayer.

FIRST RELEASE EC NO: G2005-0319 DRAWING NUMBER: 2005/04/27 CHKD: JLDUCLOS 2005/04/27 APPROVAL: LSTICKEIR 2005/04/28	QUALITY SYMBOLS	GENERAL TOLERANCES (UNLESS SPECIFIED)		DIMENSION STYLE MM ONLY		SCALE 5:1	DESIGN UNITS METRIC	FIRST ANGLE PROJECTION
	▽=0 ▽=0	mm	INCH	DRAWN BY GDESBRUERES	DATE 2005/04/13	TITLE INTERFACE DRAWING MOX RCPT HSG DR 3CKT 98298 SERIES#		
		4 PLACES ± --- ± ---		CHECKED BY JLDUCLOS	DATE 2005/04/15	MOLEX INCORPORATED		
		3 PLACES ± --- ± ---		APPROVED BY LSTICKEIR	DATE 2005/04/19	DOCUMENT NO. SD-98298-003		
	2 PLACES ± 0.10 ± ---		MATERIAL NO. *****		SHEET NO. 1 OF 1			
	1 PLACE ± 0.2 ± ---		ANGULAR ± 1/2°		THIS DRAWING CONTAINS INFORMATION THAT IS PROPRIETARY TO MOLEX INCORPORATED AND SHOULD NOT BE USED WITHOUT WRITTEN PERMISSION			
			DRAFT WHERE APPLICABLE MUST REMAIN WITHIN DIMENSIONS					