

NPort DE-311/DE-211

Make Your Serial Device Internet Ready

Features

- RS-232/422/485 3-in-1 serial port
- Versatile socket operation modes, including TCP Server, TCP Client, UDP, Ethernet Modem, and Pair Connection
- Real COM/TTY drivers for Windows and Linux
- Easy-to-use NPort Management Suite
- Cigarette pack size
- Fast Ethernet or Standard Ethernet
- 2- or 4-wire RS-485 with patented Automatic Data Direction Control (ADDCTM)
- Built-in 15 KV ESD Protection for all serial signals



Overview

LAN

Ethernet:

10/100 Mbps, RJ45 (DE-311)

10 Mbps, RJ45 (DE-211)

Protection: Built-in 1.5 KV magnetic isolation

Serial

Interface: Switch selectable RS-232/422/485 x 1;

DE-311: Female DB9, DE-211: Female DB25

RS-232 Signals: TxD, RxD, RTS, CTS, DTR, DSR, DCD, GND

RS-422 Signals: Tx+, Tx-, Rx+, Rx-, RTS+, RTS-, CTS+, CTS-, GND

RS-485 (2-wire) Signals: Data+, Data-, GND

RS-485 (4-wire) Signals (DE-211 only): Tx+, Tx-, Rx+, Rx-, GND

Serial Line Protection: 15 KV ESD for all signals

RS-485 Data Direction: Patented Automatic Data Direction Control (ADDCTM)

Serial Communication Parameters

Parity: None, Even, Odd, Space, Mark

Data Bits: 5, 6, 7, 8

Stop Bit: 1, 1.5, 2

Flow Control: RTS/CTS, XON/XOFF

Speed: 50 bps to 230.4 Kbps

Software Features

Protocols: DHCP, BootP, Telnet, TCP, UDP, IP, ICMP, ARP

Utilities: NPort Management Suite for Windows 95/98/ME/NT/2000/XP/2003, Linux Batch Configurator

Real COM/TTY Drivers: Windows 95/98/ME/NT/2000/XP COM driver, Linux real TTY driver

Configuration: Serial console via RS-232, Telnet console/NPort utilities via Ethernet

Power Requirements

Power Input:

DE-311: 9-30 VDC

DE-211: 12-30 VDC

Power Consumption:

DE-311: 300 mA at 9V (max.)

DE-211: 150 mA at 12V (max.)

Mechanical Specifications

Material: SECC sheet metal (1 mm)

Gross Weight: DE-311: 0.88 kg (1.94 lb)

DE-211: 0.86 kg (1.89 lb)

Environmental

Operating Temperature: 0 to 55°C (32 to 131°F), 5 to 95% RH

Storage Temperature: -20 to 85°C (-4 to 185°F), 95% RH

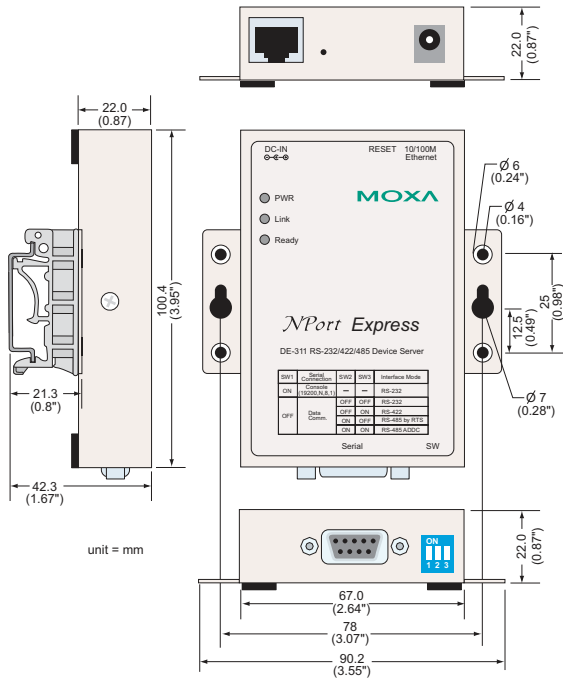
Regulatory Approvals

EMC: FCC Class B, CE Class B

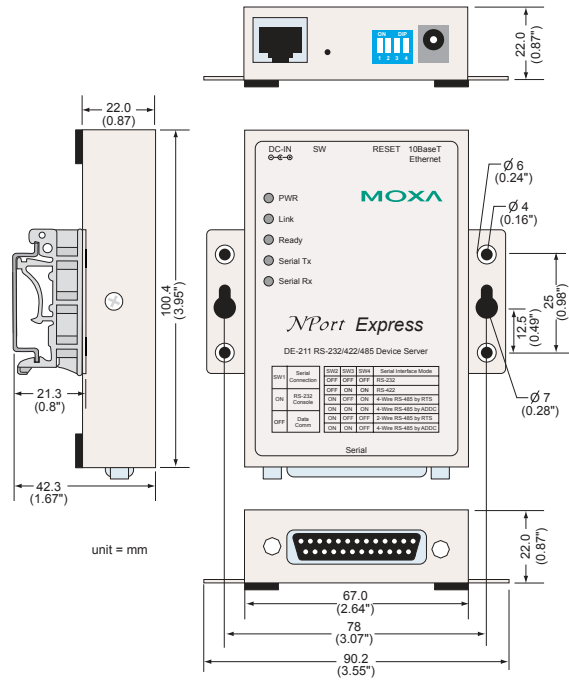
Safety: UL/CUL, TÜV

Dimensions

NPort DE-311

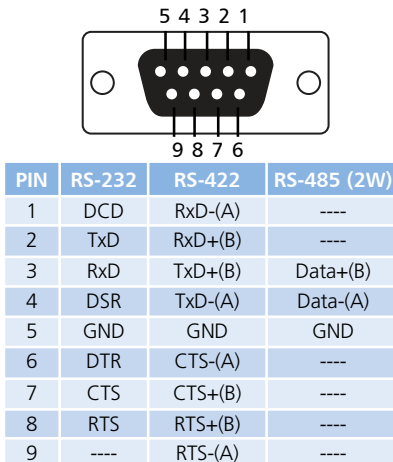


NPort DE-211

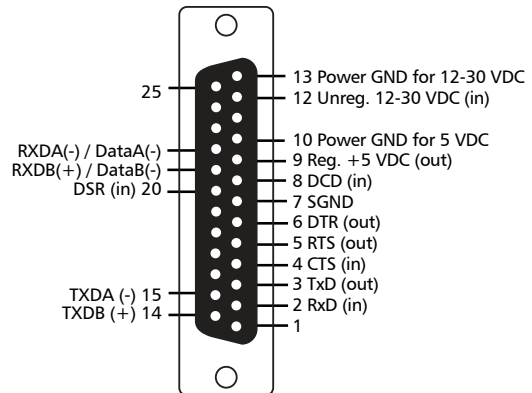


Pin Assignment

DE-311



DE-211



Ordering Information

DE-311: 10/100 Mbps, 1-Port RS-232/422/485 serial device server

DE-211: 10 Mbps, 1-Port RS-232/422/485 serial device server

All items include:

- 1-port serial device server
- Quick Installation Guide
- NPort Documentation and Software CD-ROM

Optional Accessories

DK-35A: DIN-Rail Mounting Kit (35 mm)

NP21101: DB25(M) to DB9(F) RS-232 Cable, 30 cm

NP21102: DB25(M) to DB9(M) RS-232 Cable, 30 cm

NP21103: DB25(M) Terminal Block Kit for RS-422/485

* Refer to pages 9-6 for optional power adaptors