

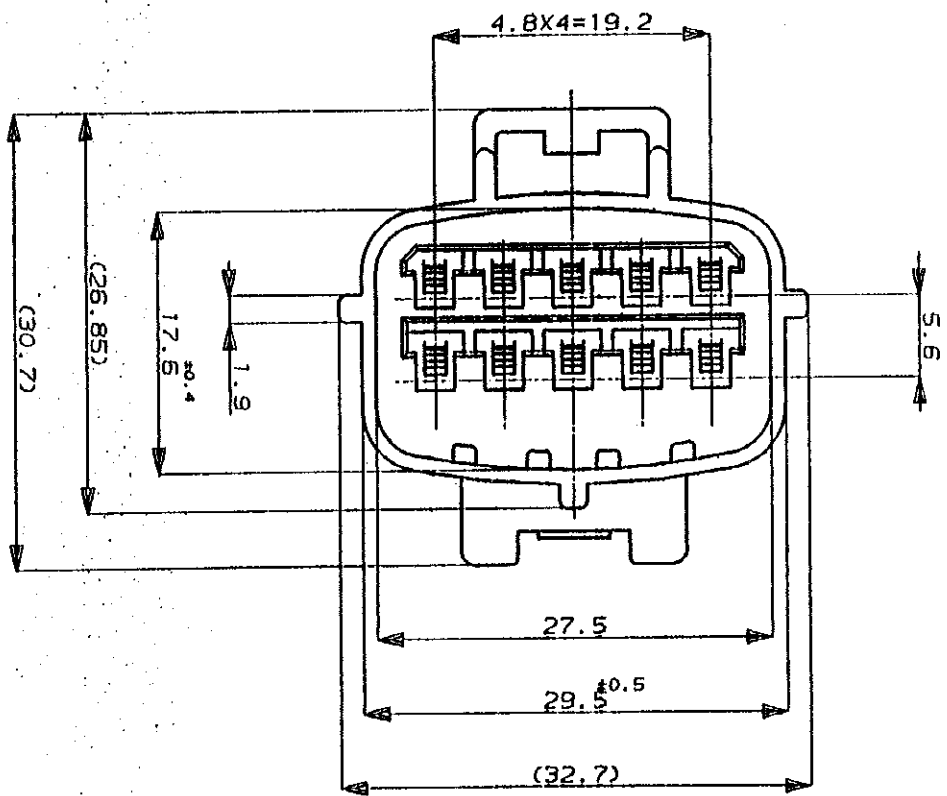
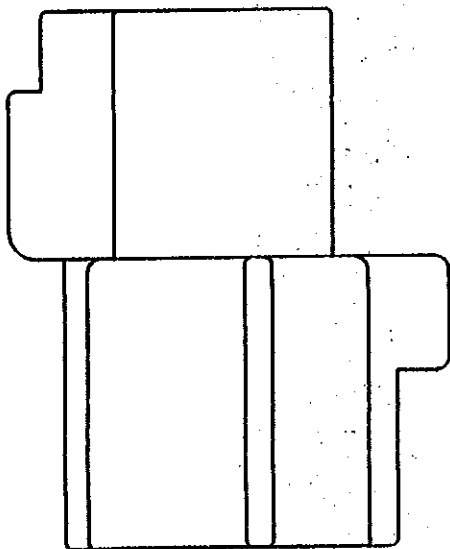
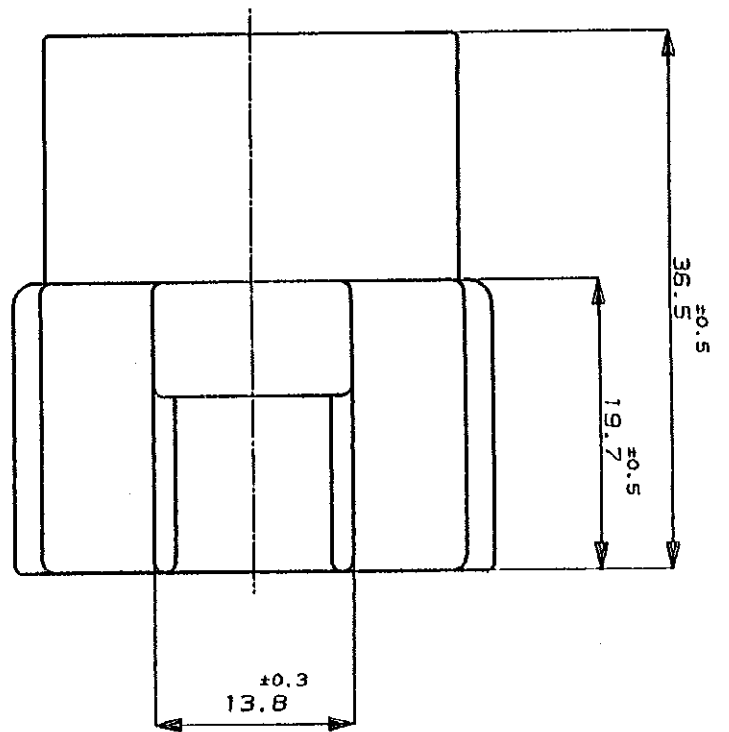
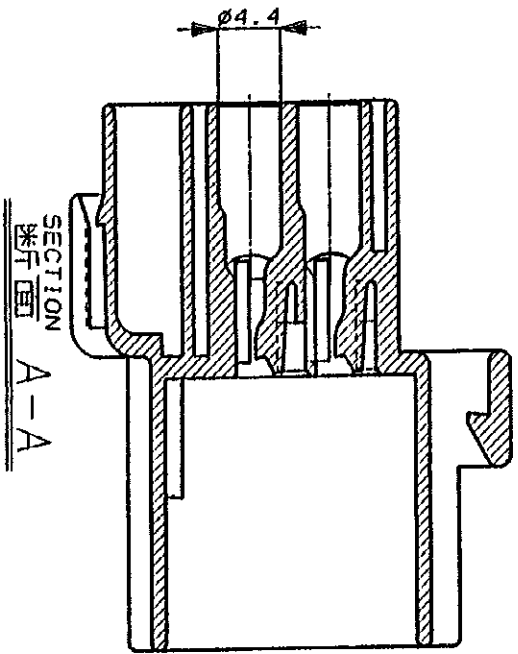
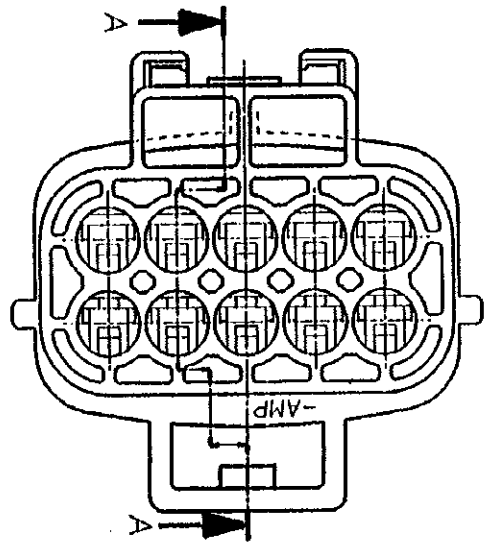
NUMBER
C-174657

3rd ANGLE PROJECTION

METRIC

E16583>U.CAD>U.MAZDA>U.10P>S.C-CAP
DIMENSIONS IN MILLIMETERS. DO NOT SCALE PRINT

PRINT DIST



注：
1 かん合相手型番：174655
2 本品はダブルロックプレート P/N 174658 を装着して使用する

NOTE：
1 FOR PLUG HOUSING (P/N174655)
2 THIS PART MUST BE USED WITH DOUBLE LOCK PLATE (P/N174658)

| LTR | REVISION RECORD | DR | CHK | DATE |
|-----|---------------------|----|-----|----------|
| 0 | 作成 RELEASED | YF | TS | 11/14/88 |
| A | 変更 REVISIED J-10135 | TS | MT | 5/22/89 |
| B | 変更 REVISIED J-10986 | GS | MO | 8/11/89 |

| | | | |
|--|--|---|--------------------------------------|
| <p>© 1987 BY AMP (Japan) LTD. ALL RIGHTS RESERVED. BY PATENTS AND OR PATENTS PENDING</p> | | <p>10極 TOP ECONOSEAL J-MARK IITM CONNECTOR CAP HOUSING</p> | |
| <p>ULTR-RANGE mm² (AWG)</p> | <p>INSULATION DIA mm²</p> | <p>MATERIAL PBT</p> | <p>FINISH BLACK</p> |
| <p>DR. K. Oikawa 7/9/87</p> | <p>DE. K. Oikawa 11/14/88</p> | <p>CHK. Y. Nakamura 7/9/87</p> | <p>APP. Y. Nakamura 11/14/88</p> |
| <p>GENERAL TOLERANCE 0<math>k</math> 10 : ± 0.2 10<math>k</math> 30 : ± 0.25 30<math>k</math> 100 : ± 0.3 ANGLES : $\pm 3^\circ$</p> | | <p>SIZE A3</p> | <p>LOC J</p> |
| <p>SCALE 2:1</p> | | <p>REV. B</p> | <p>SHEET 1 OF 1</p> |

CUSTOMER DRAWING

-2 AS SHOWN