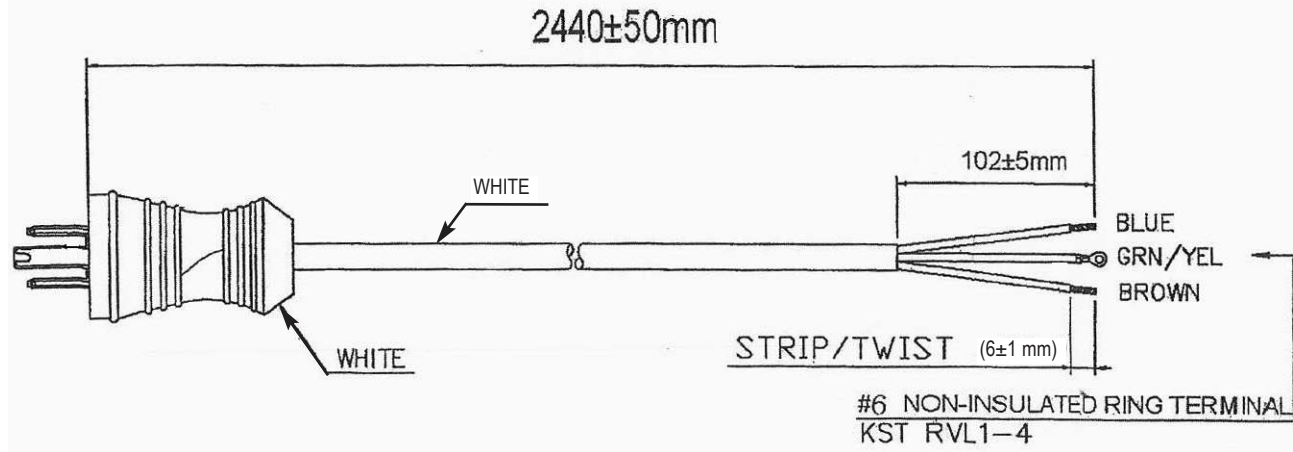
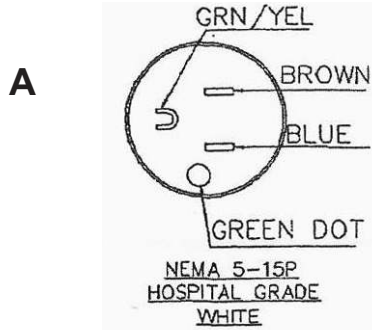


PROPRIETARY INFORMATION:
 PROPRIETARY OF GLOBTEK, INC. ANY REPRODUCTION, DISCLOSURE OR
 USE OF THIS DRAWING, IN WHOLE OR IN PART, IS HEREBY
 PROHIBITED EXCEPT AS SPECIFIED IN WRITING BY GLOBTEK, INC.

REVISION		DATE	APPROVED
REV	DESCRIPTION		
A	INITIAL RELEASE, RFS. 26218, EM	03/02/16	HM
B	CHANGE COLOR FROM BLACK TO WHITE IN GEN. SPEC., NF	03/30/16	HM



GENERAL SPECIFICATIONS:

RATING: 10A / 125V AC
 CABLE TYPE / SIZE: SJT, 18 AWG X 3C, WHITE
 TEMPERATURE RATING: 105° C
 CONDUCTOR COLORS: BROWN / BLUE / GREEN-YELLOW (CEE COLOR CODE)
 CABLE JACKET COLOR: WHITE
 OVERALL LENGTH (L): 2440 ± 50 mm
 CABLE OUTER DIAMETER: 7.8 ± 0.1 mm
 END 'A' TERMINATION: MEDICAL GRADE NEMA 5-15P, WHITE
 END 'B' TERMINATION: ROJ: 102±5 mm, RIJ; 6±1 mm,
 LINE +NEUTRAL (BLUE AND BROWN WIRES): STRIP/TWIST;
 GROUND (GREEN/YELLOW WIRE): #6 NON-INSULATED TERMINAL
 MPN: KST RVL1-4 or EQUIVALENT

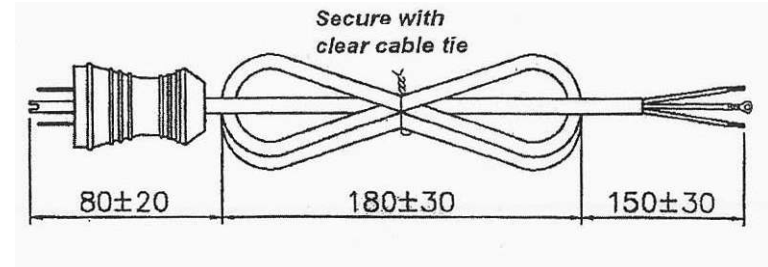
APPROVALS PLUG: UL, CSA or cUL
 APPROVALS CABLE: UL, CSA or cUL

NOTES:

1. CORD, PLUG AND CONNECTOR MUST BE MARKED WITH APPROVAL SYMBOLS OR FILE NUMBER(S).



PACKING:
 HANKING



RELEASED
 By N.Frost at 4:21 pm, Mar 30, 2016



DASH NO.	PART NO	REV.	DESCRIPTION	NOTES
TABULATION BLOCK				
		TOLERANCES: DECIMALS ANGULAR .xx +/- 0.1 +/- 1° .xxx +/- .005		GlobTek, Inc. 186 Veterans Dr. Northvale, NJ 07647 www.globtek.com Tel. 201-784-1000 Fax 201.784.0111
		MILLIMETERS ANGULAR .xx +/- 0.3 +/- 1° .xxx +/- .013		
INIT.BY: EM	DATE: 03/02/16	FSCN No.: G, CC, YL	SIZE: A	DWG TITLE: MEDICAL GRADE NORTH AMERICAN DETACHABLE CORDSET
DRAWN: NF	DATE: 03/02/16	SCALE: NONE		REV. B
APRVD: HM	DATE: 03/02/16	PART NO: 1191068F0BRBCEE(R)		SHEET 1 / 1

Foot Note:
 Globtek Inc. will not be liable for the safety and performance of these power product if unauthorized access and repair occurs. End user should consult the applicable UL, CSA or EN Standards for proper installation instruction.

Limitation of Use:
 Globtek product are not authorized for use as mission critical components in life support, hazardous environment, nuclear or aircraft applications without prior written approval from the CEO of Globtek Inc.

Contents of this document are subject to change without prior notice