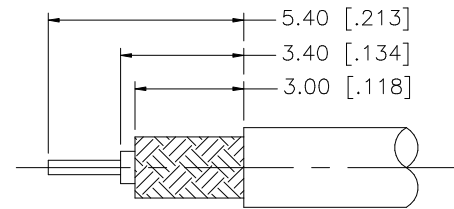
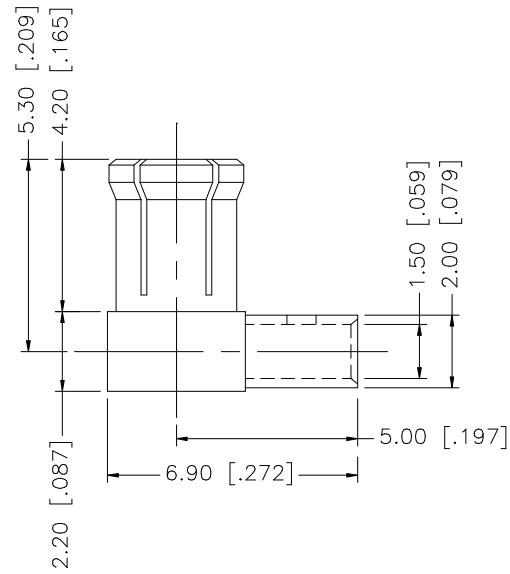
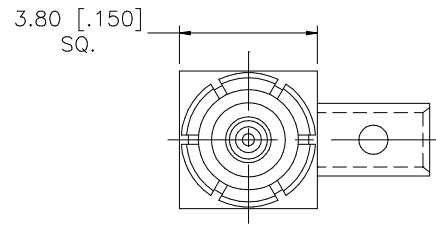


REV.	DATE	DESCRIPTION
A	01/30/04	UPDATE DRAWING FORMAT



RECOMMENDED CABLE STRIPPING DIMENSIONS

REV.	DATE	DESCRIPTION
A	01/30/04	UPDATE DRAWING FORMAT
8		
7		
6		
5		
4		
3	CONTACT PIN	BRASS GOLD 1
2	INSULATOR	TEFLON NATURAL 1
1	HOUSING/BODY	BRASS GOLD 1
	DESCRIPTION	MATERIAL FINISH QTY

UNLESS OTHERWISE SPECIFIED DIMENSIONS ARE IN MILLIMETERS; DIMENSIONS IN [ ] ARE IN INCHES AND FOR CUSTOMER REFERENCE ONLY.		APPROVALS	DATE	<h1 style="color: blue; margin: 0;">Amphenol Connex</h1>		
UNLESS OTHERWISE SPECIFIED TOLERANCES FOR MILLIMETERS ARE: 0.5 - 8mm ± 0.20mm 8 - 30mm ± 0.40mm 30 - 120mm ± 0.50mm		DRAWN G.R.S.	01/30/04			
UNLESS OTHERWISE SPECIFIED TOLERANCES FOR INCHES ARE: .020 - .315 = ± 0.007" .315 - 1.180 = ± 0.015" 1.180 - 4.724 = ± 0.020"		CHECKED				
DO NOT SCALE DRAWING		ISSUED				
		SHEET 1 OF 1				
PART DESCRIPTION				<h2 style="margin: 0;">MCX R/A SOLDER PLUG – LOW PROFILE (FOR RG-178B/U, 196A/U CABLE)</h2>		
PART NO. 252135-10						
		CAD FILE C:/252/225135-10.DWG	DWG. NO. 252135-10.DWG	REV. A	SIZE A	SCALE NA