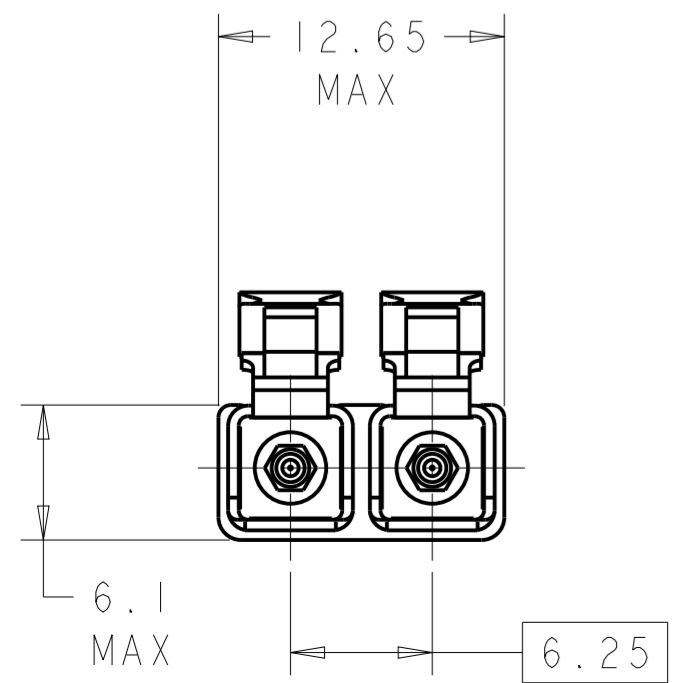
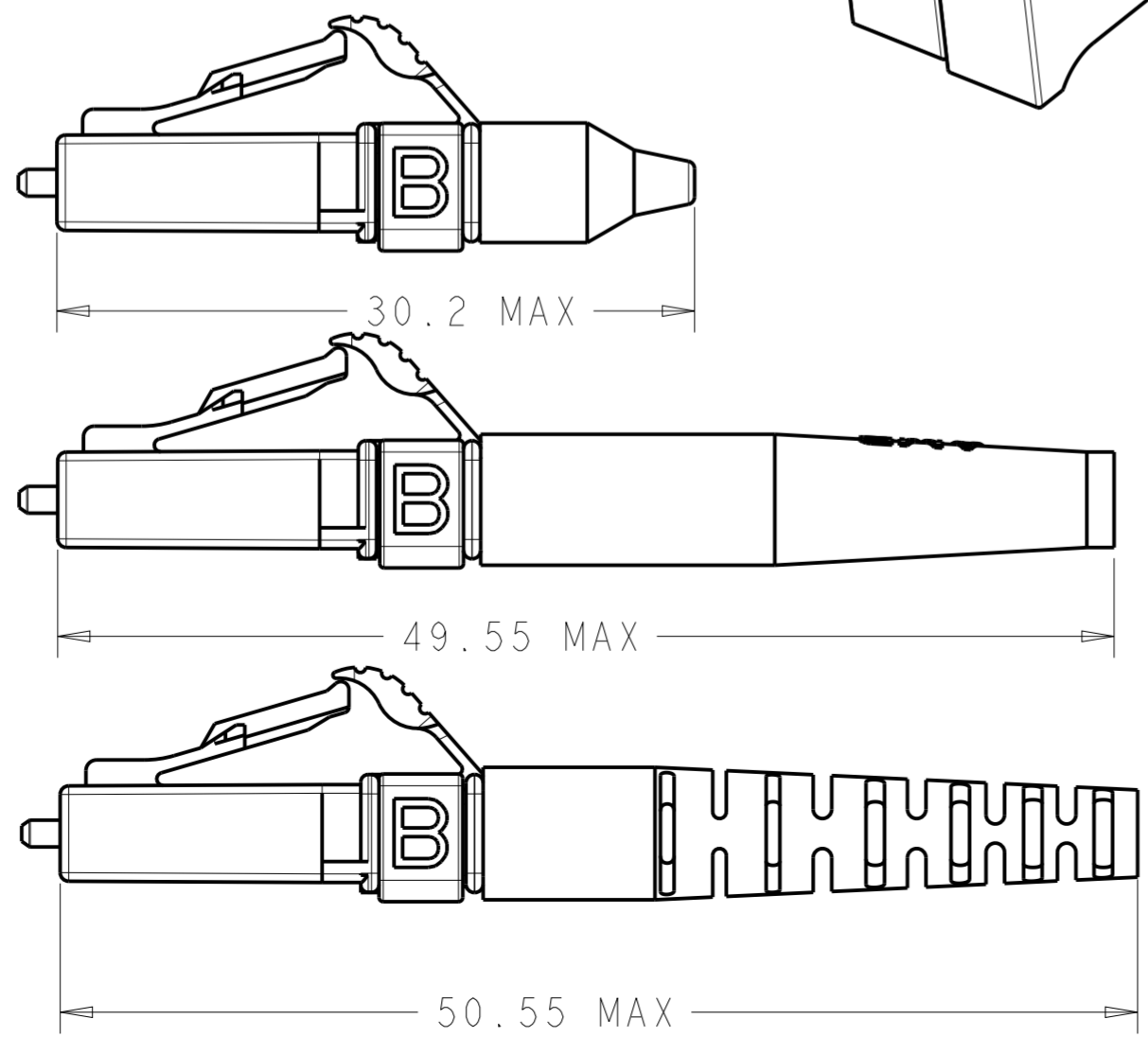
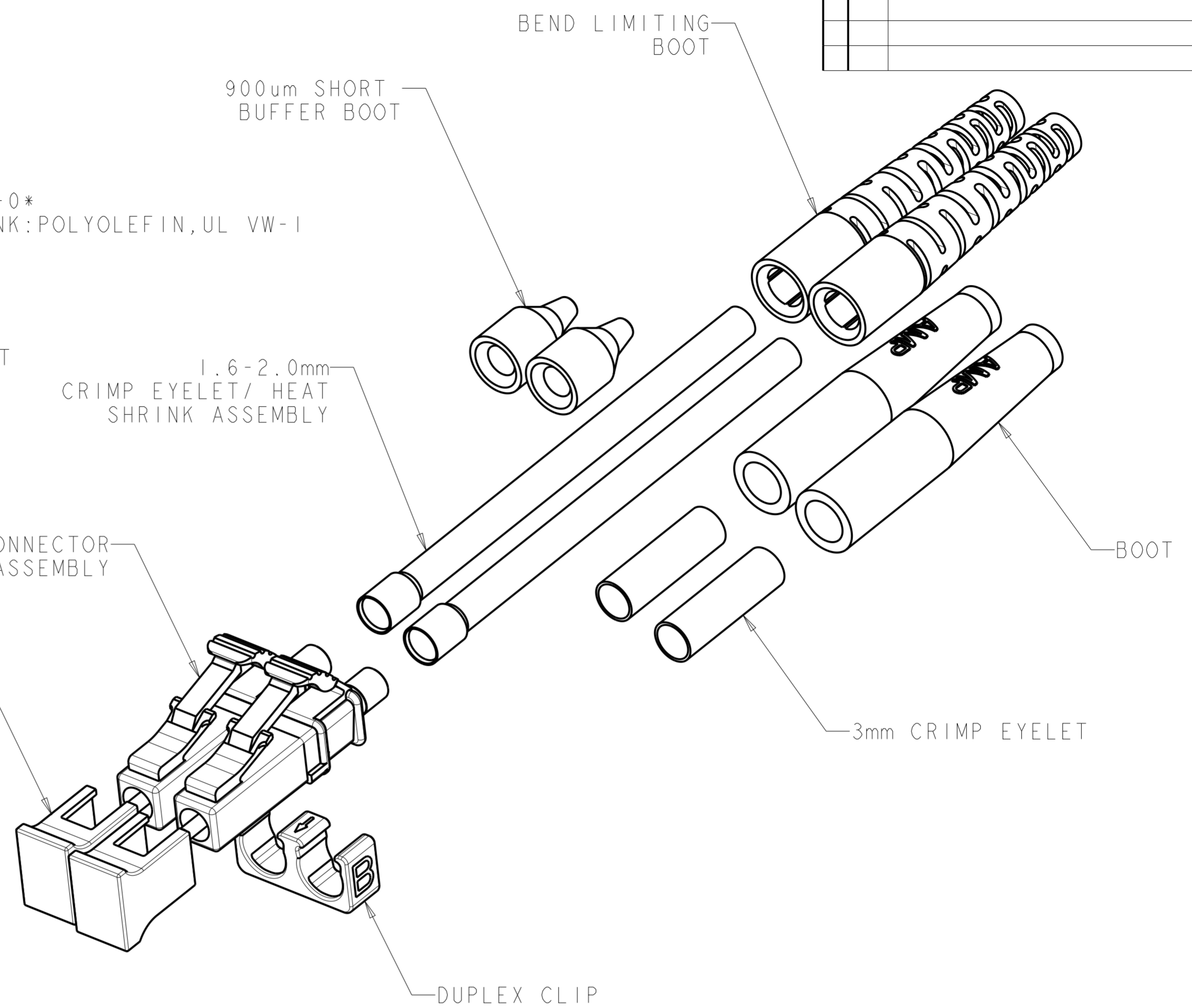


THIS DRAWING IS UNPUBLISHED. RELEASED FOR PUBLICATION 20  
 © COPYRIGHT 20 BY - ALL RIGHTS RESERVED.

LOC	DIST	REVISIONS			
P	LTR	DESCRIPTION	DATE	DWN	APVD
CE	00				
	B	ECR-14-016330	10NOV2014	HZ	RZ

- ⚠ MATERIAL  
 PROTECTIVE COVER: TPE, COLOR: BLACK, UL94 HB\*  
 FERRULE SUBASSEMBLY: ZIRCONIA/METAL  
 COMPRESSION SPRING: STAINLESS STEEL  
 FRONT HOUSING: PEI, COLOR: BLUE, UL94 V-0\*  
 INNER TUBING: PTFE, COLOR: CLEAR, UL VW-1  
 REAR BODY: METAL  
 BEND LIMITING BOOT: PP, COLOR: BLUE, UL94 V-0\*  
 BOOT AND SHORT BUFFER BOOT: TPE, COLOR: BLUE, UL94 V-0\*  
 CRIMP EYELET/HEAT SHRINK ASSY: ALUM. ALLOY, HEAT SHRINK: POLYOLEFIN, UL VW-1  
 DUPLEX CLIP: PP, COLOR: BLUE, UL94 V-0\*  
 3mm CRIMP EYELET: NICKEL PLATED BRASS  
 \*RATED AT QUALIFYING THICKNESS.

- INSTRUCTION SHEET: 408-8675 AVAILABLE FOR DOWNLOAD AT [www.tycoelectronics.com/documents](http://www.tycoelectronics.com/documents) OR [www.ampnetconnect.com/foguide](http://www.ampnetconnect.com/foguide).
- BULK PACKAGE.



DUPLEX, 3.0mm JACKETED	2-2064937-3
DUPLEX, 1.6-2.0mm JACKETED	2-2064937-2
DUPLEX, 900um BUFFERED	2-2064937-1
SIMPLEX, 3.0mm JACKETED	2064937-3
SIMPLEX, 1.6-2.0mm JACKETED	2064937-2
SIMPLEX, 900um BUFFERED	2064937-1
DESCRIPTION	PART NUMBER

THIS DRAWING IS A CONTROLLED DOCUMENT.

DWN B. BRIGGS 31MAR2009	TE Connectivity					
CHK S. MILLER 31MAR2009						
APVD D. BAECHTLE 31MAR2009						
NAME KIT, CONNECTOR, LC, SM, BULK PACK						
DIMENSIONS: mm	TOLERANCES UNLESS OTHERWISE SPECIFIED:	PRODUCT SPEC	SIZE A200779	CAGE CODE C-2064937	DRAWING NO G-2064937	RESTRICTED TO
0 PLC ±	1 PLC ±	2 PLC ±	3 PLC ±	4 PLC ±	ANGLES ±	FINISH
MATERIAL		WEIGHT	SCALE 3:1	SHEET 1	OF 1	REV B

CUSTOMER DRAWING