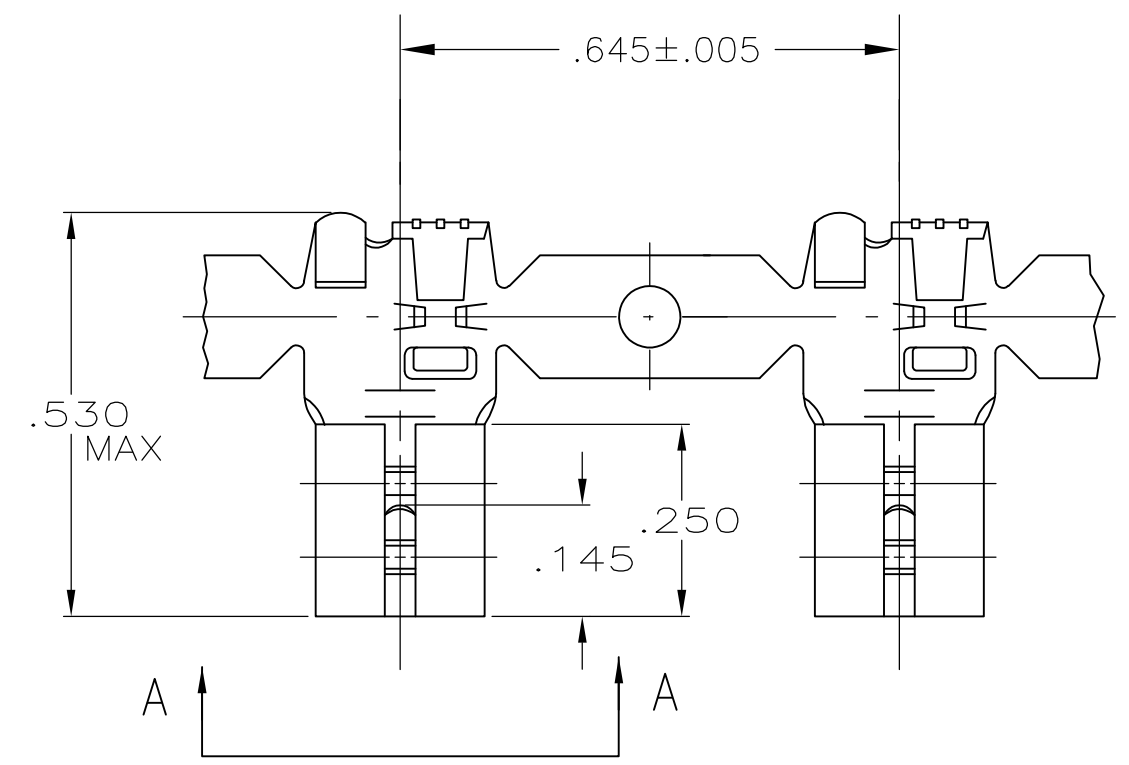
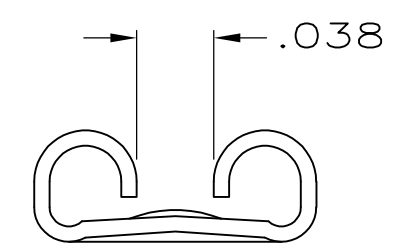


THIS DRAWING IS UNPUBLISHED. RELEASED FOR PUBLICATION
 © COPYRIGHT - By - ALL RIGHTS RESERVED.

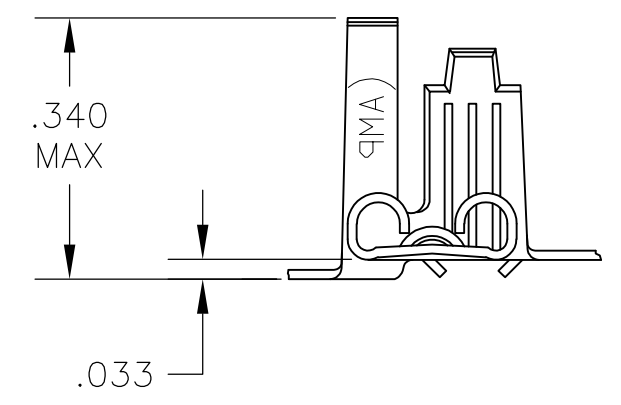
LOC	DIST	REVISIONS			
P	LTR	DESCRIPTION	DATE	DWN	APVD
AF	50	P			
		P	REVISED PER ECR-12-013445	18OCT12	KH PD



- 1 CONTINUOUS STRIP ON REELS.
- 2 WIRE SIZE IS #20-#16 AWG
- 3 INSULATION RANGE IS .110-.170 DIA
- 4 MATING TAB THK IS $.020 \pm .001$



VIEW A-A



SILVER	BRASS	42486-4
NICKEL	.012 STEEL	42486-3
TIN	BRASS	42486-2
---	BRASS	42486-1
FINISH	MATERIAL	PART NO.

THIS DRAWING IS A CONTROLLED DOCUMENT.		DWN JR RUTH 2/7/86	TE Connectivity														
DIMENSIONS: INCHES		CHK G YETTER 2/7/86															
TOLERANCES UNLESS OTHERWISE SPECIFIED:		APVD R KUZO 2/7/86	NAME RECEPTACLE, FASTON, FLAG, .187 SERIES														
<table border="1"> <tr><td>0 PLC</td><td>± -</td></tr> <tr><td>1 PLC</td><td>± -</td></tr> <tr><td>2 PLC</td><td>± -</td></tr> <tr><td>3 PLC</td><td>± .015</td></tr> <tr><td>4 PLC</td><td>± -</td></tr> <tr><td>ANGLES</td><td>± -</td></tr> </table>		0 PLC	± -	1 PLC	± -	2 PLC	± -	3 PLC	± .015	4 PLC	± -	ANGLES	± -	PRODUCT SPEC -	APPLICATION SPEC -		
0 PLC	± -																
1 PLC	± -																
2 PLC	± -																
3 PLC	± .015																
4 PLC	± -																
ANGLES	± -																
MATERIAL SEE TABLE	FINISH SEE TABLE	WEIGHT -	SIZE A3	CAGE CODE 00779	DRAWING NO C-42486	RESTRICTED TO -											
CUSTOMER DRAWING			SCALE 4:1	SHEET 1 OF 1	REV P												