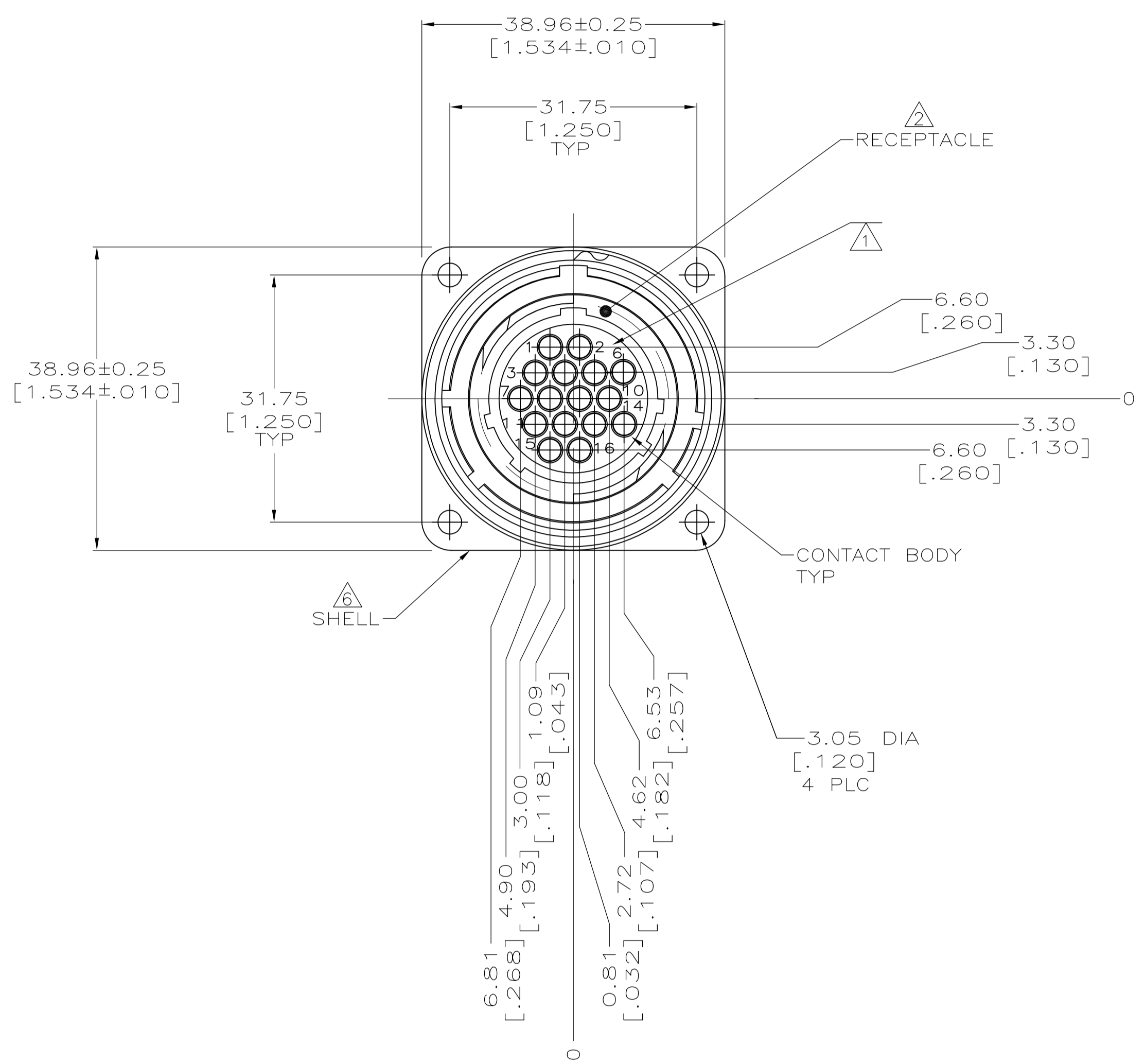
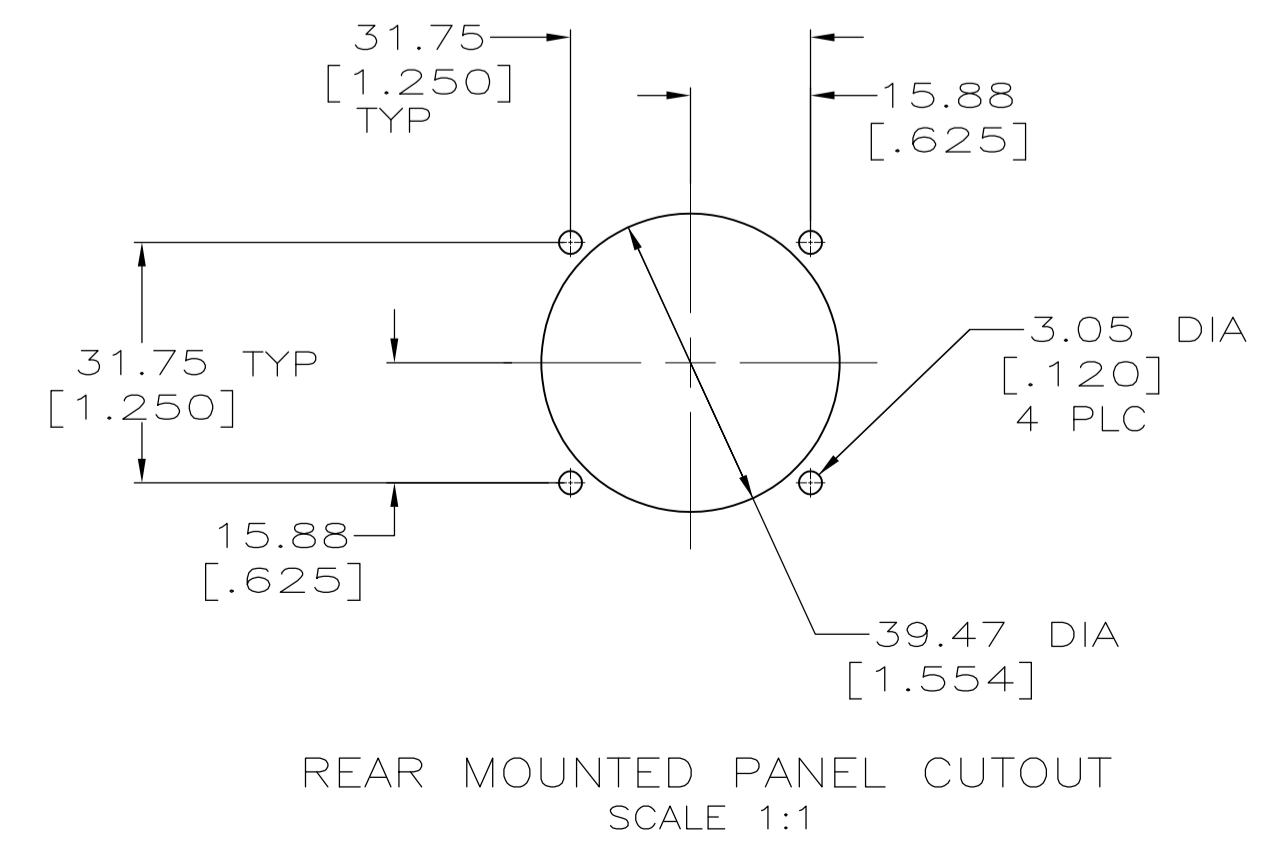
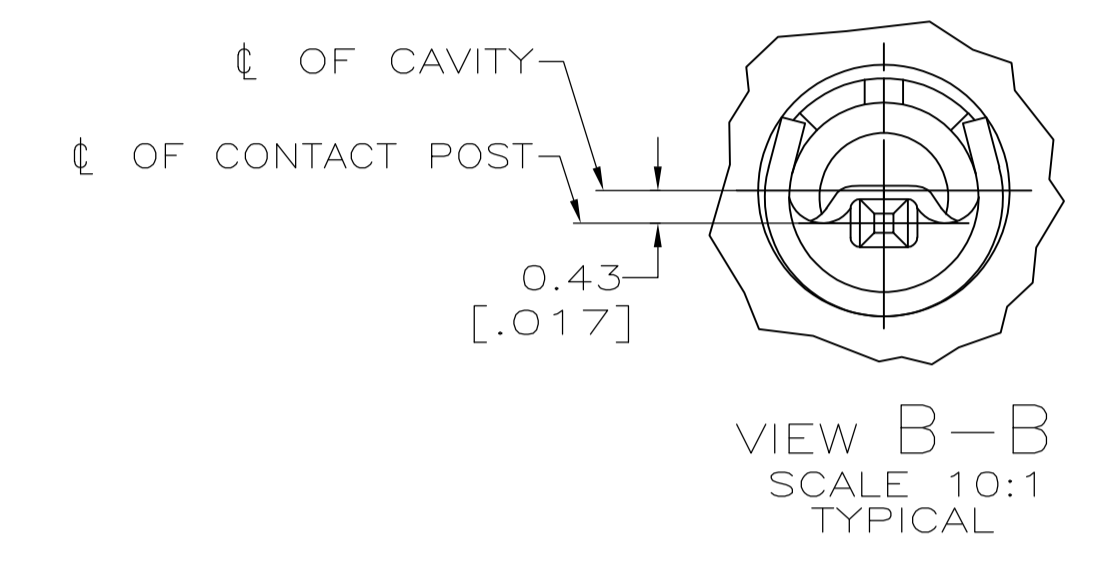
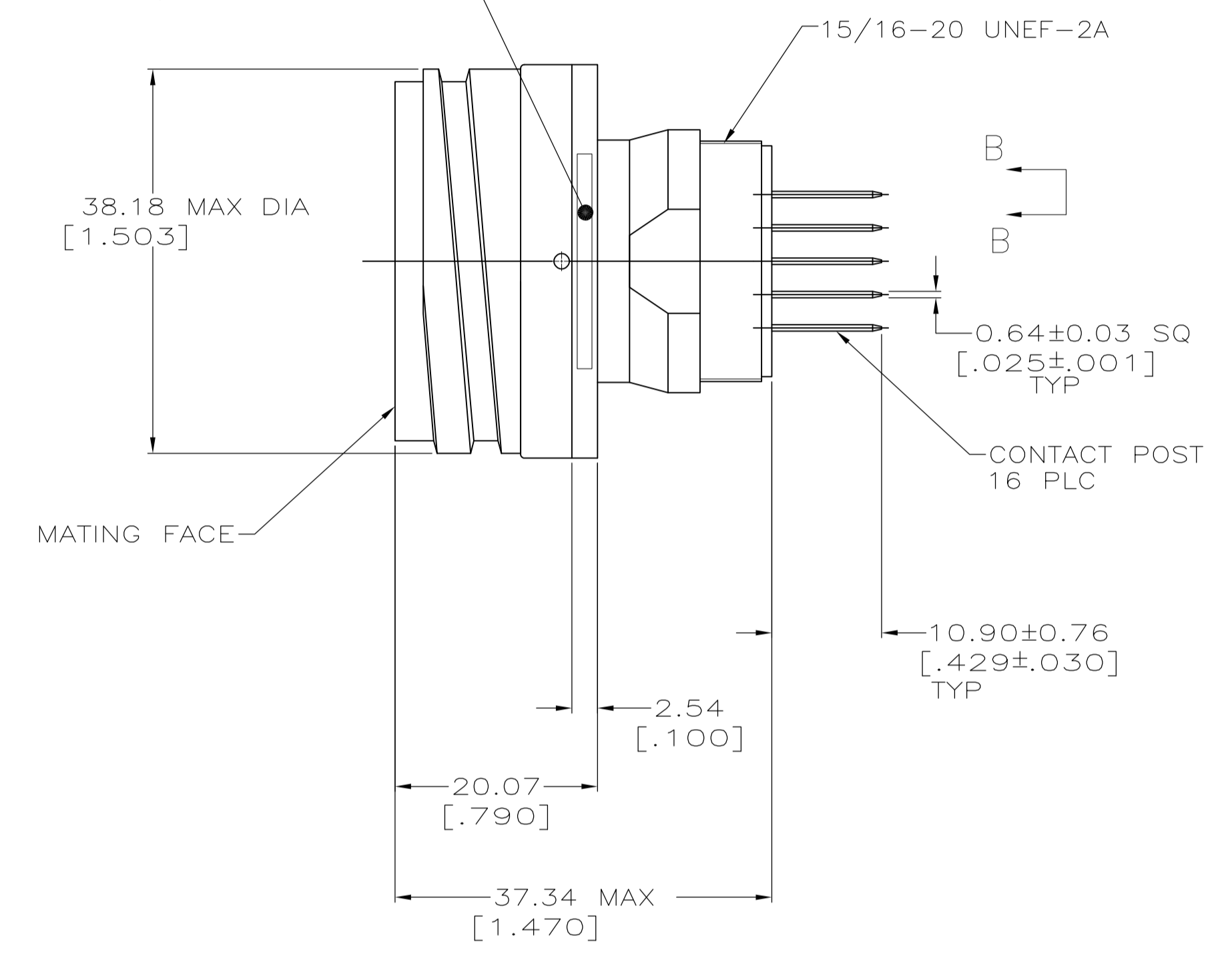


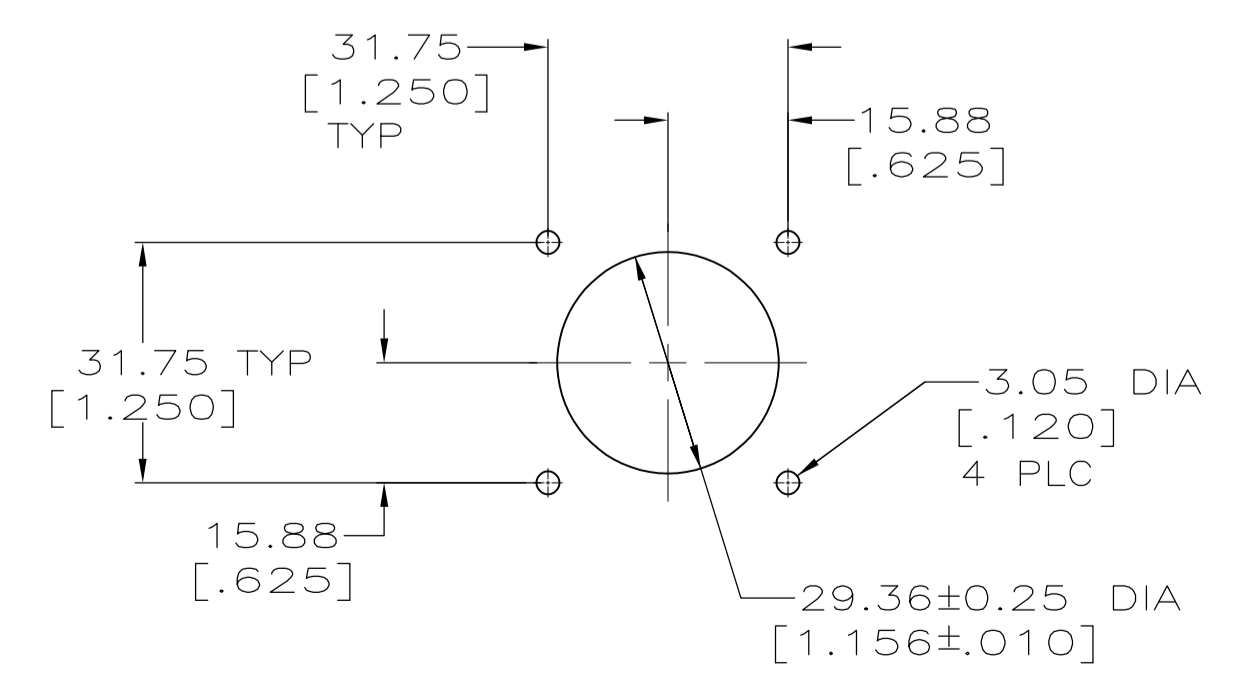
REVISIONS					
P	LTR	DESCRIPTION	DATE	DMN	APVD
B		REVISED PER ECO-07-000208	1/4/07	SS	SH
C		REVISED PER ECO-16-018358	09MAR2017	RS	MZ



PART NO & DATE CODE MARKED IN AREA INDICATED, ON EITHER SIDE



REAR MOUNTED PANEL CUTOUT SCALE 1:1



FRONT MOUNTED PANEL CUTOUT SCALE 1:1

- ① CAVITY IDENTIFICATION CHARACTERS ON FRONT AND REAR FACE.
- ② NYLON, UL 94V-0 RATED, BLACK.
- ③ CONTACT BODY: 0.76um[.000030] MIN GOLD FOR A LENGTH OF 5.08[.200] MIN FROM MATING END, GOLD FLASH ON REMAINDER, BOTH OVER 1.27um [.000050] MIN NICKEL.
- ④ CONTACT POST: 2.54um[.000100] MIN TIN-LEAD OVER 2.54um[.000100] MIN COPPER.
- ⑤ CONTACT POST: 2.54um[.000100] MIN TIN OVER 2.54um[.000100] MIN COPPER.
- ⑥ SHELL: 5.08um[.000200] MIN NICKEL OVER 10.16um[.000400] MIN COPPER.
- ⑦ NO CONTACTS IN POSITION 10 AND 11.

⑦ OBSOLETE	⑤	213734-3
	⑥	213734-2
	④	213734-1
	POST FINISH	PART NUMBER

THIS DRAWING IS A CONTROLLED DOCUMENT.

DIMENSIONS: mm [INCHES]	TOLERANCES UNLESS OTHERWISE SPECIFIED:	DIN C. OBERMAN 1-6-92	DRW R. STONE 1-8-92
0 PLC ± -	1 PLC ± -	APVD -	NAME -
2 PLC ± ± 0.13 [.005]	3 PLC ± -	PRODUCT SPEC -	APPLICATION SPEC -
4 PLC ± -	ANGLES ± -	SIZE A1	CAGE CODE 00779
MATERIAL -	FINISH -	WEIGHT -	DRAWING NO 213734
CUSTOMER DRAWING		SCALE 2:1	SHEET 1 OF 1

STE TE Connectivity

RECEPTACLE ASSEMBLY, 22-16, STD SEX, CMC