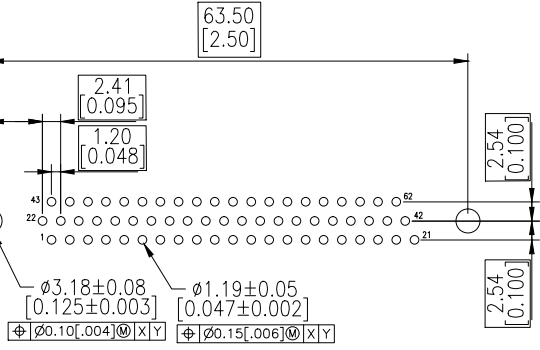
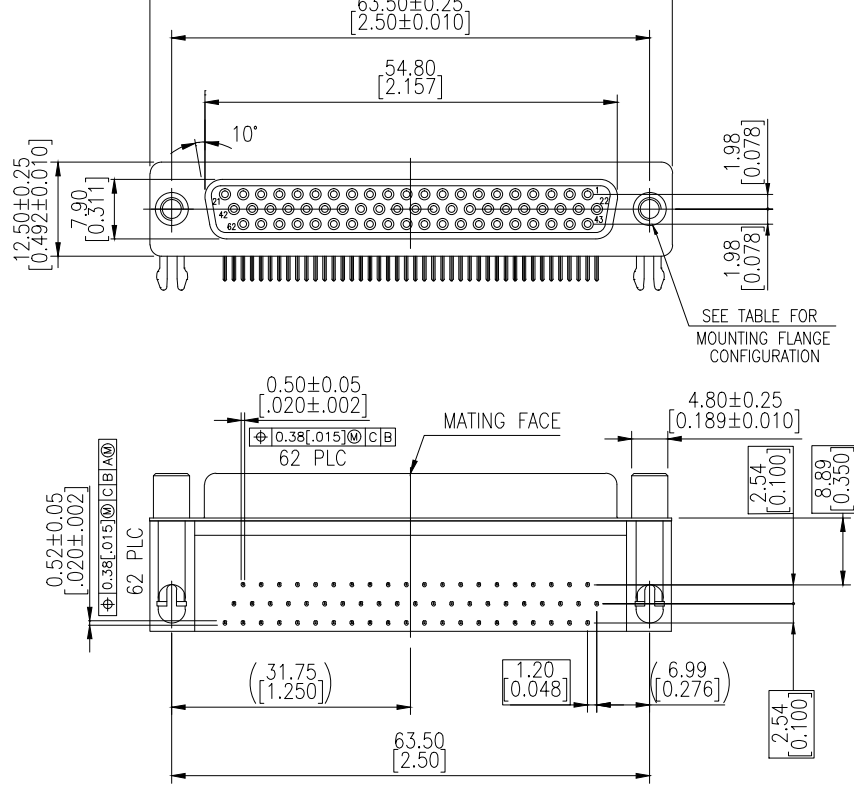
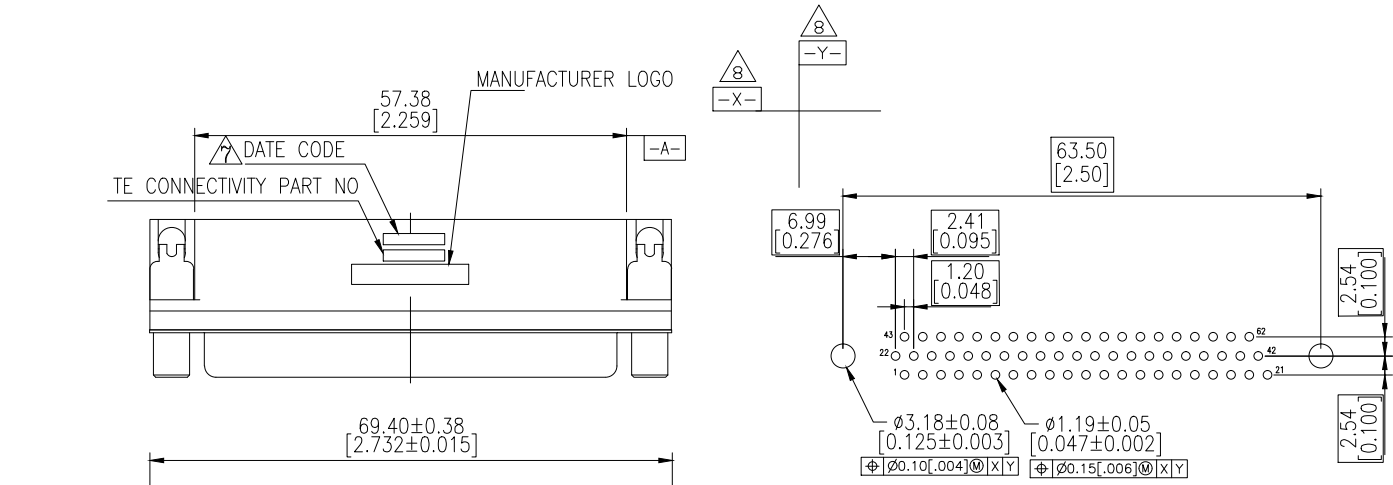


LOC		REVISONS					
GP	00	P	LTR	DESCRIPTION	DATE	DWN	APVD
		B3		REVISED PER ECR-14-000726	30APR2014	S.C	H.L



RECOMMENDED PCB LAYOUT

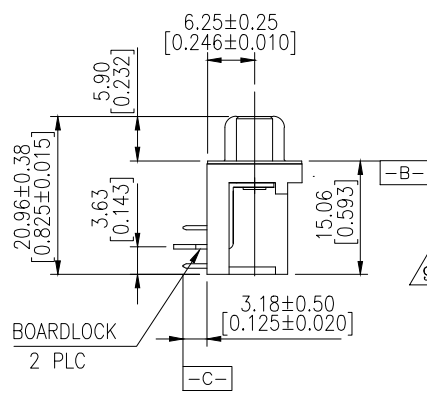
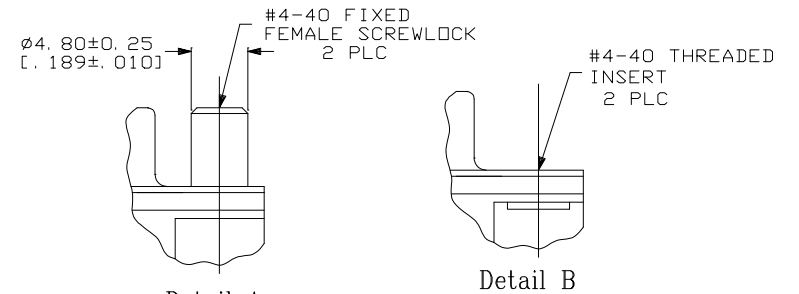
1. HOUSING MATERIAL: PBT, GLASS FILLED, BLACK, UL 94V-0 RATED.
2. CONTACT MATERIAL: PHOSPHOR BRONZE.
3. CONTACT FINISH: GOLD PLATE IN MATING AREA (SEE TABLE), 120µ" MIN TIN PLATE ON SOLDER TAIL, BOTH OVER 50µ" MIN NICKEL UNDERPLATE.
4. SHELL: STEEL, NICKEL PLATE.
5. BOARDLOCK: BRASS, 100µ" MIN TIN PLATE.
6. FEMALE SCREWLOCKS/ THREADED INSERTS: BRASS, NICKEL PLATE.

△ FOUR DIGIT DATE CODE IN THIS FORMAT.

Year 01 45 Manufacturing Week

△ DATUMS [-X-] & [-Y-] TO BE ESTABLISHED BY CUSTOMER.

△ OBSOLETE PARTS: OBSOLETE CIS STREAMLINING PER D.RENAUD/D.SINISI



Obsolescence	Part	Detail	Material	Part NO.
OBSOLETE	Tray	Detail A	Gold flash	2-5748394-6
OBSOLETE	Tray	Detail A	15µ" MIN	2-5748394-5
OBSOLETE	Tray	Detail B	Gold flash	2-5748394-4
OBSOLETE	Tray	Detail B	15µ" MIN	2-5748394-3
OBSOLETE	Tray	Detail A	30µ" MIN	5748394-6
OBSOLETE	Tray	Detail B	30µ" MIN	5748394-5

5748394-6, 2--5, & 2--6, SHOWN

THIS DRAWING IS A CONTROLLED DOCUMENT.

DIMENSIONS: mm [INCHES]	TOLERANCES UNLESS OTHERWISE SPECIFIED: 0 PLC ± - 1 PLC ± 0.30 2 PLC ± 0.20 3 PLC ± 0.10 4 PLC ± - ± 2° ANGLES	DWN B. MCMASTER 21SEP05 DWK S. BOLASH 21SEP05 APVD M. WALMSLEY 21SEP05	NAME TE Connectivity
MATERIAL	FINISH	APPLICATION SPEC	RESTRICTED TO
-	-	WEIGHT	A2 00779 ©=5748394
CUSTOMER DRAWING		SCALE	SHEET 1 of 1 REV B3

AMPLIMITE HD-22
62 POS RECEPTACLE, RIGHT ANGLE