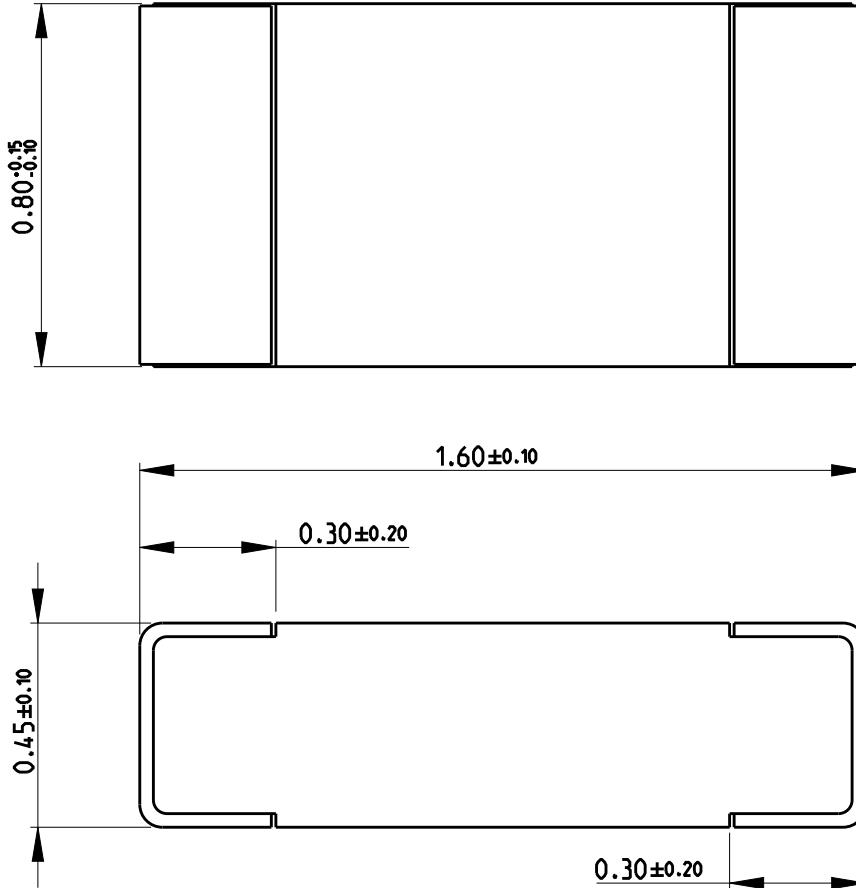


REVISIONS

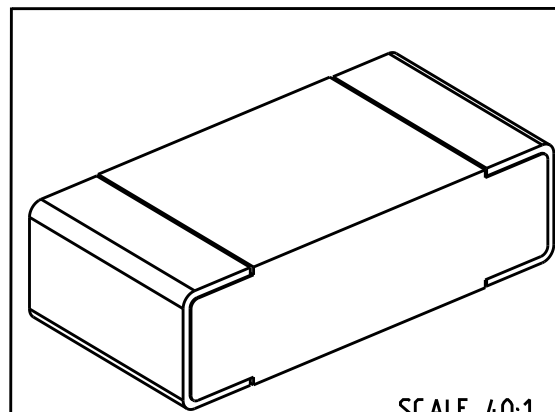
P	LTR	DESCRIPTION	DATE	DWN	APVD
	A	NEW DRAWING	01JUL2019	SR	AP



NOTES:

- FOR FURTHER INFORMATION SEE DATA SHEET FOR CRGS SERIES SMD ANTI-SURGE THICK FILM CHIP RESISTOR

RoHS Compliant



SCALE 40:1

RELEASED FOR PUBLICATION

ALL RIGHTS RESERVED.

THIS DRAWING IS UNPUBLISHED.

© COPYRIGHT copyright_date BY -

DIMENSIONS:		DWN SUPREETH R	01JUL2019	MATERIAL	-	FINISH	-
mm		CHK ALLAN.P	01JUL2019	TE Connectivity			
TOLERANCES UNLESS OTHERWISE SPECIFIED:		APVD ALLAN.P	01JUL2019				
0 PLC	±0.5	PRODUCT SPEC		NAME SMD ANTI-SURGE THICK FILM CHIP RESISTOR SERIES CRGS 0603			
1 PLC	±0.2	-		SIZE	CAGE CODE	DRAWING NO	RESTRICTED TO
2 PLC	±0.1	APPLICATION SPEC		A 4	00779	C-2176243	-
3 PLC	±	-		SCALE 60:1			
4 PLC	±	WEIGHT		SHEET 1 OF 1			
ANGLES	±5°	-		REV A			
		CUSTOMER DRAWING					