

6

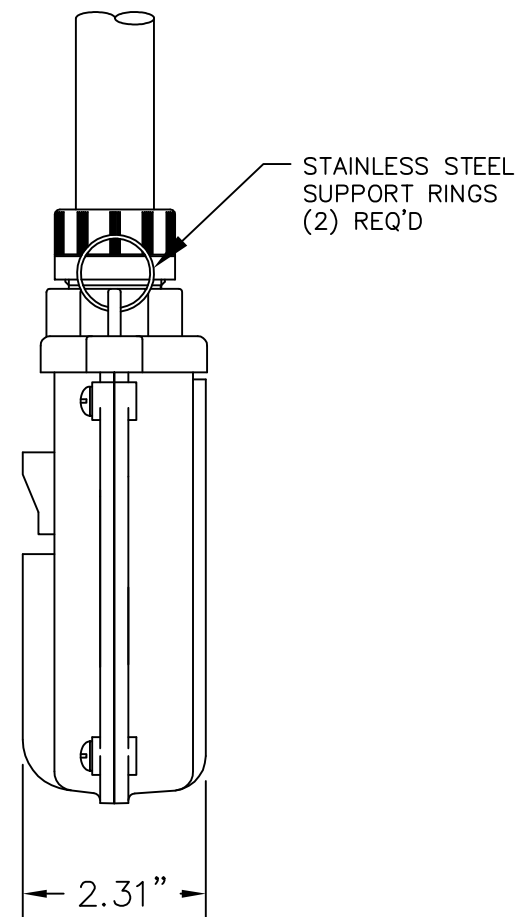
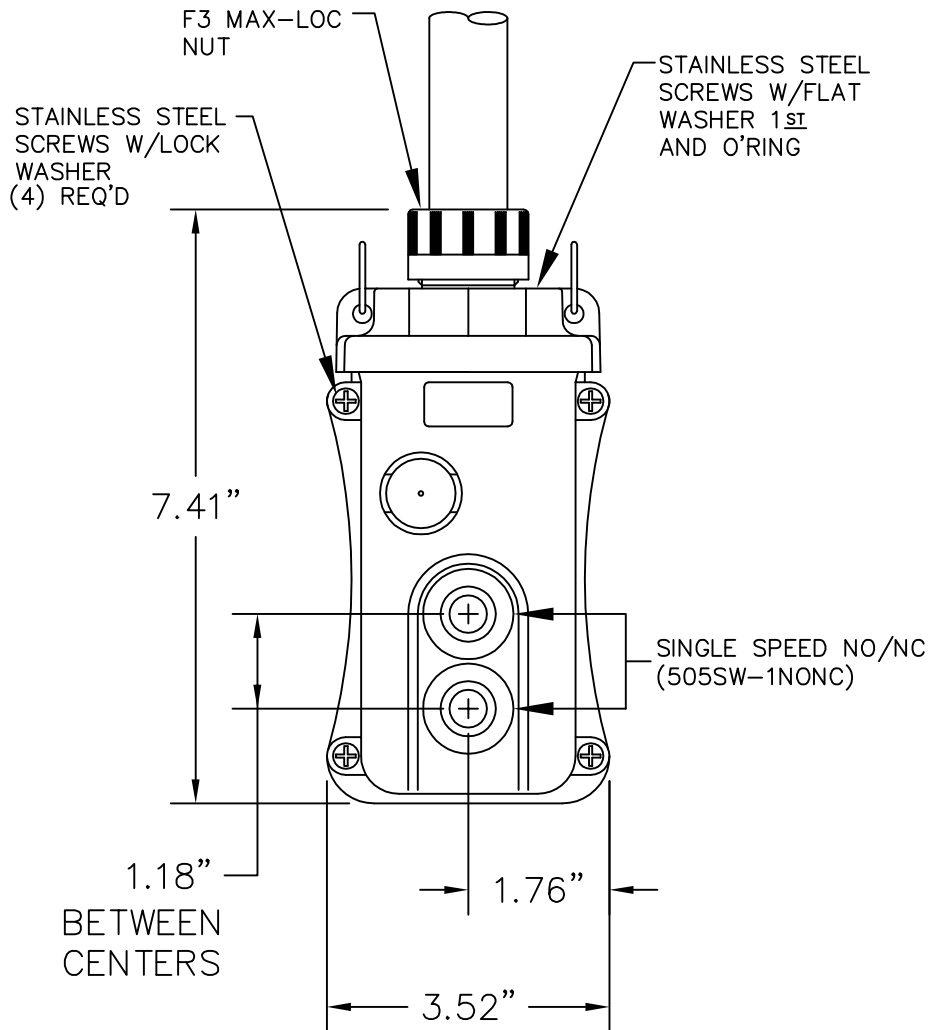
5

4

3

2

1



NOTES:
 1. INSTALLATION INSTRUCTIONS, BUTTON ID. LABELS. ARE PACK WITH THE PART.
 2. ALL BUTTONS ARE HIGH AMBIENT, CHEMICALLY RESISTANT MATERIAL - COLOR BLACK

RELEASE DRAWING
 EC NO: WNA2009-0393
 DRWN: TVICKERS 2008/12/15
 CHKD: HK 2008/12/16
 APPR: DTTITUS 2009/01/05
 REV A

QUALITY SYMBOLS
 ▽=0
 ∇=0

GENERAL TOLERANCES (UNLESS SPECIFIED)		
	mm	INCH
4 PLACES	±.005	±.0005
3 PLACES	±.010	±.0010
2 PLACES	±.015	±.0015
1 PLACE	±.020	±.0020
ANGULAR ±5°		
DRAFT WHERE APPLICABLE MUST REMAIN WITHIN DIMENSIONS		

DIMENSION STYLE	
INCH	
DRAWN BY	DATE
TV	2008/12/16
CHECKED BY	DATE
HK	2008/12/16
APPROVED BY	DATE
DT	2008/12/16
MATERIAL NO.	1301260303
SIZE	A

SCALE	DESIGN UNITS	THIRD ANGLE PROJECTION
NTS	INCH	☉
TITLE		
5052 W/ (505SW-1NONC)		
MOLEX INCORPORATED		
DOCUMENT NO.	SD-130126-020	SHEET NO. 1 OF 1
THIS DRAWING CONTAINS INFORMATION THAT IS PROPRIETARY TO MOLEX INCORPORATED AND SHOULD NOT BE USED WITHOUT WRITTEN PERMISSION		

6

5

4

3

2

1