

MATERIAL

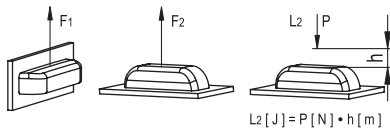
Glass-fibre reinforced polyamide based (PA) technopolymer, black colour, matte finish.

STANDARD EXECUTIONS

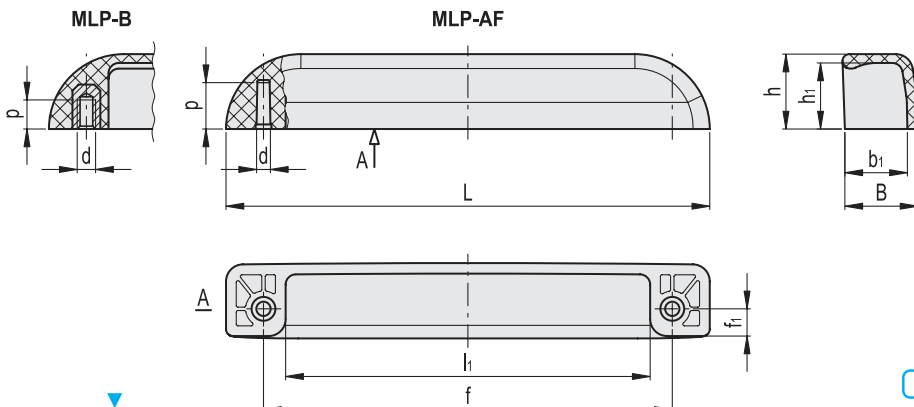
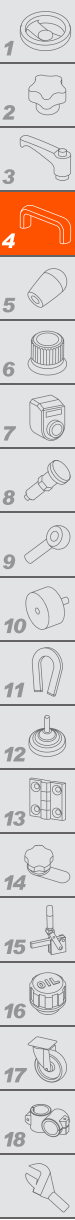
- **MLP-B**: brass bosses, threaded blind holes. Fitting by means of no. 2 screws M4, not included in the supply.
- **MLP-AF**: blind holes for fitting by means of no. 2 self-tapping screws for plastic materials Ø5 (UNI ISO 7049), not included in the supply.

TECHNICAL DATA

Tensile stress and impact strength: F1, F2 and L2 values reported in the table are the result of breaking tests, carried out with the appropriate dynamometric equipment, under the test conditions shown in the figure with ambient temperature.



ELESA Original design



Conversion Table	
1 mm = 0.039 inch	
mm	inch
142	5.59

Code	Description	L	f±0.5	d	f1	h	h1	B	b1	l1	p	F1 [N]	F2 [N]	L2 [J]	⚖️
43951	MLP.142-B M4	142	120	M4	8	22	19.5	21	18	107	10	3500	2800	3	36
43955	MLP.142-AF 4,8	142	120	4.5	8	22	19.5	21	18	107	13	3000	2800	3	31