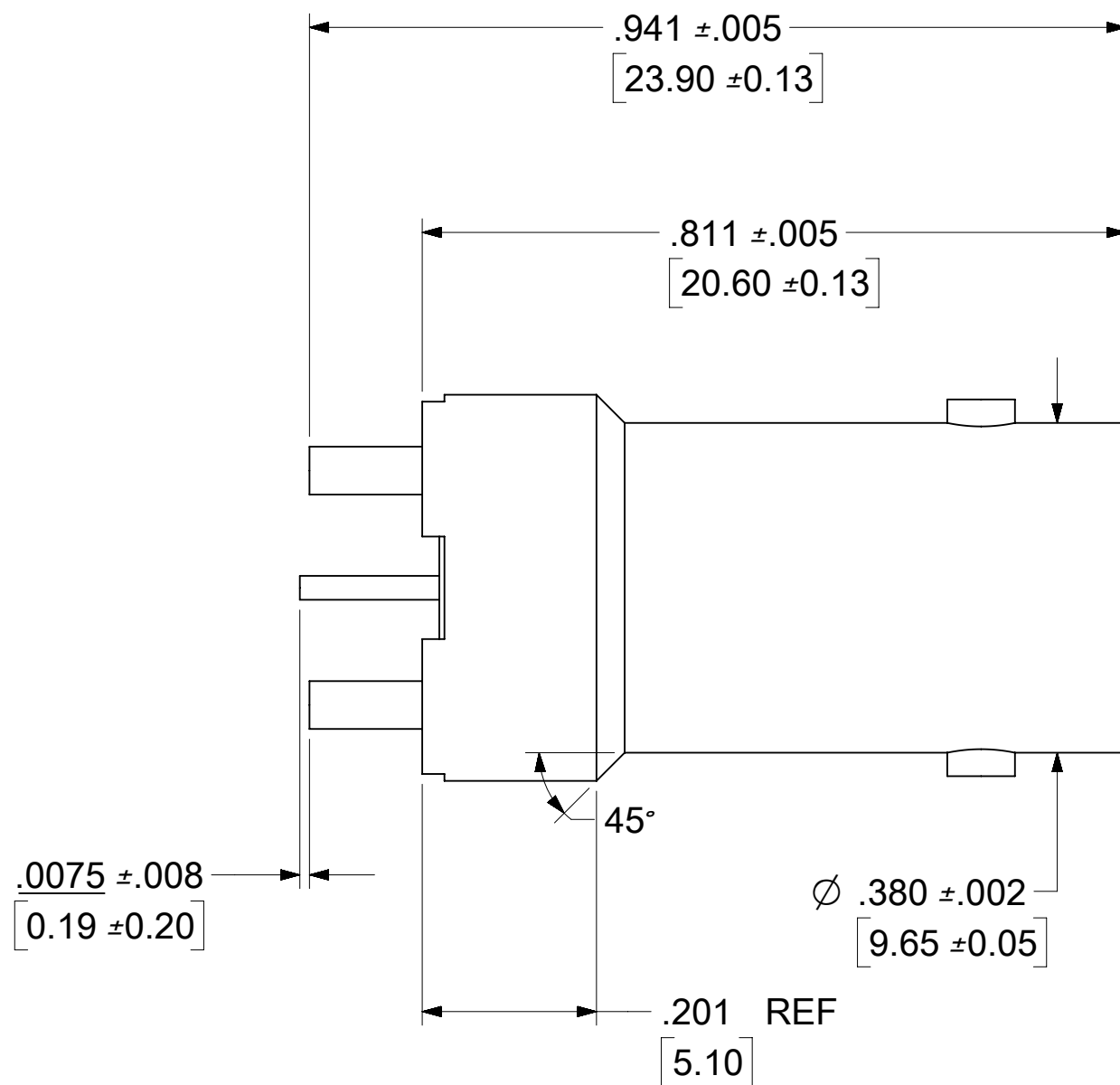
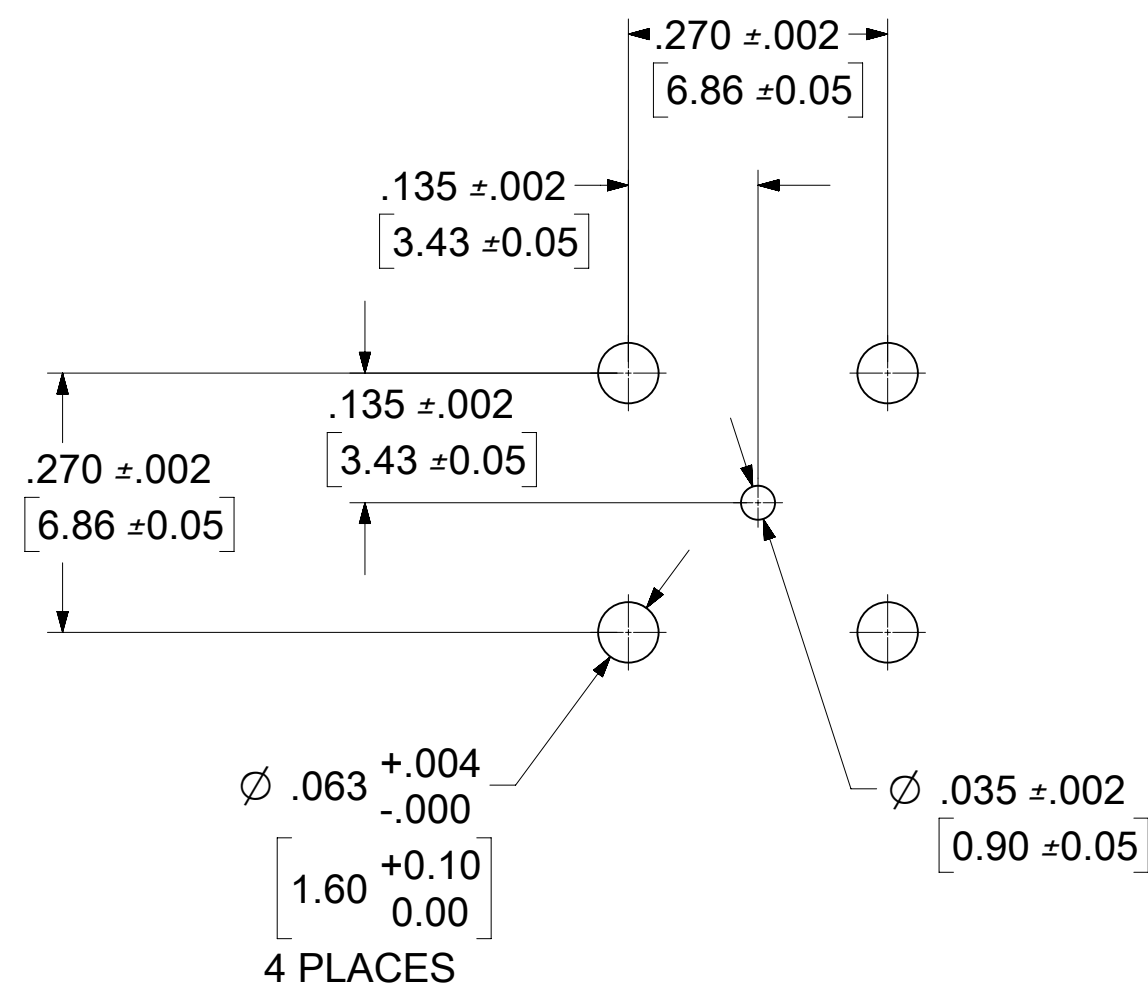
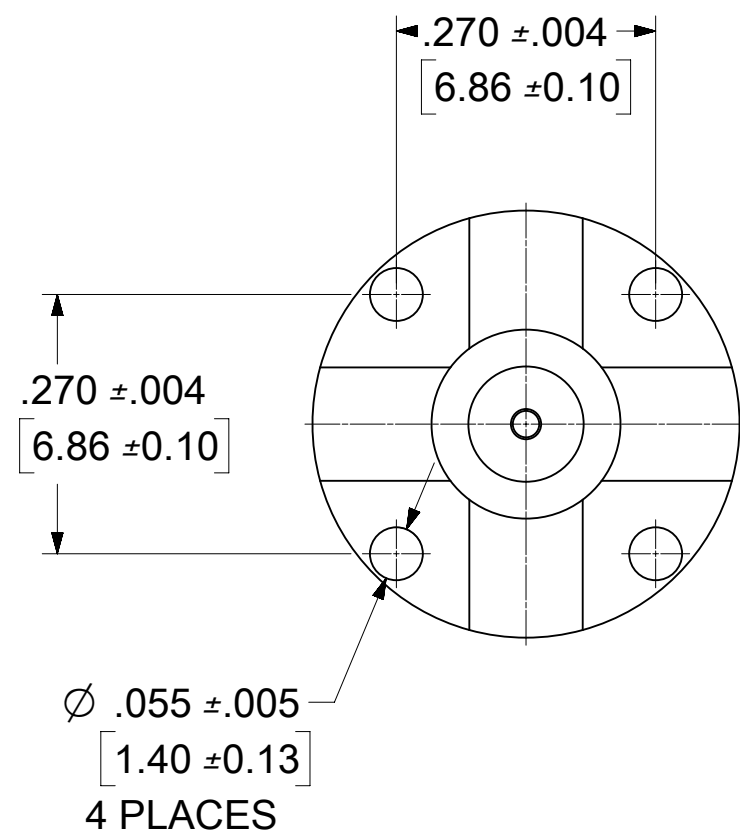
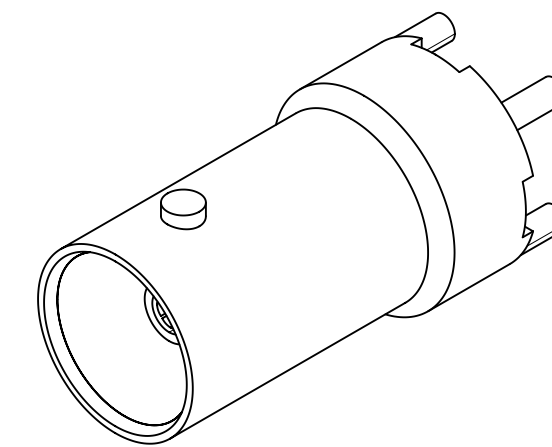


MATERIALS AND FINISHES

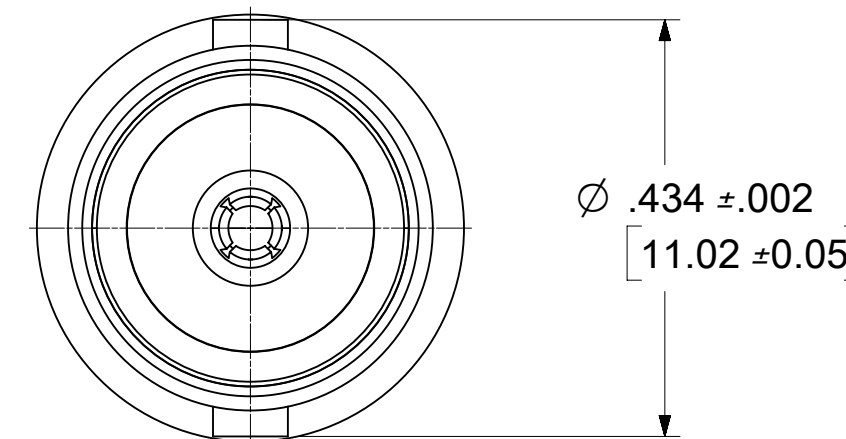
BODY ZINC ALLOY  
PLATED NICKEL 70u" MIN

CENTER CONTACT  
PHOSPHOR BRONZE  
PLATED GOLD 30u" MIN

INSULATOR TEFLON



INTERFACE PER MOLEX  
STANDARD ES-73599-0000



REV.	DATE	DESCRIPTION
C2	2018/04/26	MIGRATED TO ECTR ANGLE 45° WAS RADIUS ADD DIM 11.02±0.05; 9.62±0.05; DIM 5.10 REF PER EWR12043

THIS DRAWING CONTAINS INFORMATION THAT IS PROPRIETARY TO MOLEX ELECTRONIC TECHNOLOGIES, LLC AND SHOULD NOT BE USED WITHOUT WRITTEN PERMISSION									
DIMENSION UNITS		SCALE		CURRENT REV DESC:				<b>molex</b>	
HYBRID									
GENERAL TOLERANCES (UNLESS SPECIFIED)				EC NO: 176019		2018/04/26		BNC JACK VERTICAL PCB 75 OHM BNC-J/PCB	
ANGULAR TOL ± 2.0°				DRWN: CWEI02		2018/05/16			
4 PLACES ±				CHK'D: YCHENG		2018/05/16		PRODUCT CUSTOMER DRAWING	
3 PLACES ±				APPR: YCHENG		2018/05/16			
2 PLACES ±				INITIAL REVISION:				DOCUMENT NUMBER	
1 PLACE ±				DRWN: CLLI		2002/05/07			
0 PLACES ±				APPR: MHUANG		2002/05/07		SD-73101-036	
DRAFT WHERE APPLICABLE MUST REMAIN WITHIN DIMENSIONS		THIRD ANGLE PROJECTION		DRAWING		SERIES		MATERIAL NUMBER	
		C-SIZE		73101		731010360		CUSTOMER	
						GENERAL MARKET		SHEET NUMBER	
								1 OF 1	

DOCUMENT STATUS	P1	RELEASE DATE	2018/05/16	03:55:41