

注記 NOTES

- 接点部までの嵌合長さ。
LENGTH TO CONTACT POINT.
- 使用材料 MATERIAL
ハウジング : 46ナイロン (耐熱性), UL94V-0
HOUSING : 46NYLON, UL94V-0
アクチュエータ : PPS, UL94V-0
ACTUATOR : PPS, UL94V-0
ターミナル : リン青銅, 半田メッキ (t=0.32)
TERMINAL : PHOS-BRO., TIN-LEAD PLATED (t=0.32)
金具 : 銅合金, 半田メッキ (t=0.25)
FITTING NAIL : COPPER ALLOY, TIN-LEAD PLATED (t=0.25)
- パターンはくり止め用金具
FITTING NAIL FOR PREVENTION OF PEELING OF P.C.B.PATTERN.
- エンボステープ梱包時は、アクチュエータがロックした状態とする。
IN THE PACKAGE, ACTUATOR OF PART NO. 52207-**17 SHOULD BE LOCKED.
- ケーブル挿入深さ
INSERTION DEPTH OF CABLE.
- パターン書き込み禁止エリア。
NO FOOT PRINT AREA.

| | | | | |
|------|------|----|------------|----|
| 34.7 | 31.2 | 29 | 52207-3090 | 30 |
| 32.7 | 29.2 | 27 | -2890 | 28 |
| 29.7 | 26.2 | 24 | -2590 | 25 |
| 28.7 | 25.2 | 23 | -2490 | 24 |
| 26.7 | 23.2 | 21 | -2290 | 22 |
| 21.7 | 18.2 | 16 | -1790 | 17 |
| 19.7 | 16.2 | 14 | -1590 | 15 |
| 18.7 | 15.2 | 13 | -1490 | 14 |
| 15.7 | 12.2 | 10 | -1190 | 11 |
| 14.7 | 11.2 | 9 | -1090 | 10 |
| 13.7 | 10.2 | 8 | -0990 | 9 |
| 12.7 | 9.2 | 7 | -0890 | 8 |
| 11.7 | 8.2 | 6 | 52207-0790 | 7 |

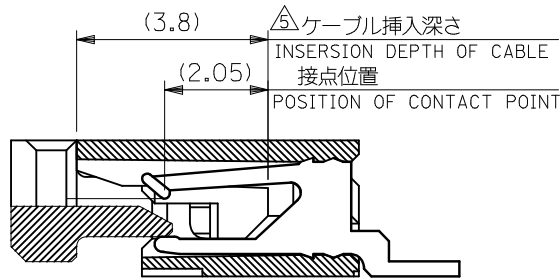
C B A

EMBOSSED TAPE ORDER NO.

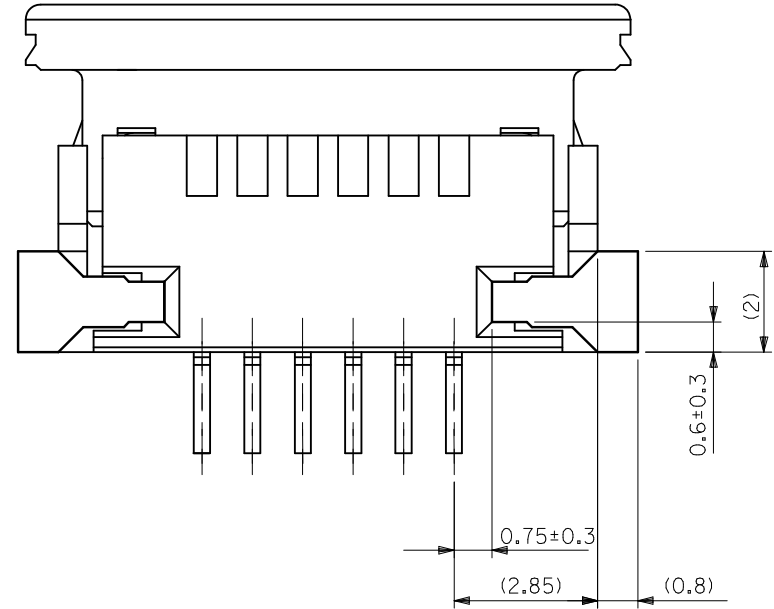
極数 CKT.

CONNECTOR SERIES NO.:52207-**17

| | | | | | | | |
|---|---------------------------------------|-----------|--|--------------------------|---|---|------------------------|
| REVISED EC NO: J2016-0429 DRWN: SANUMA 2015/10/26 CHKD: TAKAHASHI 2015/10/29 APPR: YNOGAWA 2015/11/13 | GENERAL TOLERANCES (UNLESS SPECIFIED) | | DIMENSION STYLE MM ONLY | | SCALE --- | DESIGN UNITS METRIC | THIRD ANGLE PROJECTION |
| | 0.25 UNDER | UNDER | ±0.03 | DRAWN BY MTAKAHASHI04 | DATE 2013/07/24 | TITLE 1.0 FPC CONN. ZIF SMT (SHEET 1 OF 2) | |
| | 0.25 OVER | 0.5 UNDER | ±0.05 | CHECKED BY KTAKAHASHI | DATE 2013/07/24 | MATERIAL NO. SD-52207-071 | |
| | 0.5 OVER | 1.0 UNDER | ±0.1 | APPROVED BY YNOGAWA | DATE 2013/10/07 | | |
| 1.0 OVER | 10 UNDER | ±0.2 | SEE CHART | | DOCUMENT NO. | | |
| 10 OVER | 30 UNDER | ±0.25 | SIZE A3 | | THIS DRAWING CONTAINS INFORMATION THAT IS PROPRIETARY TO MOLEX INCORPORATED AND SHOULD NOT BE USED WITHOUT WRITTEN PERMISSION | | |
| 30 OVER | | ±0.3 | DRAFT WHERE APPLICABLE MUST REMAIN WITHIN DIMENSIONS | | | | |

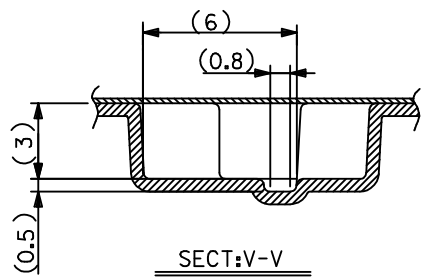
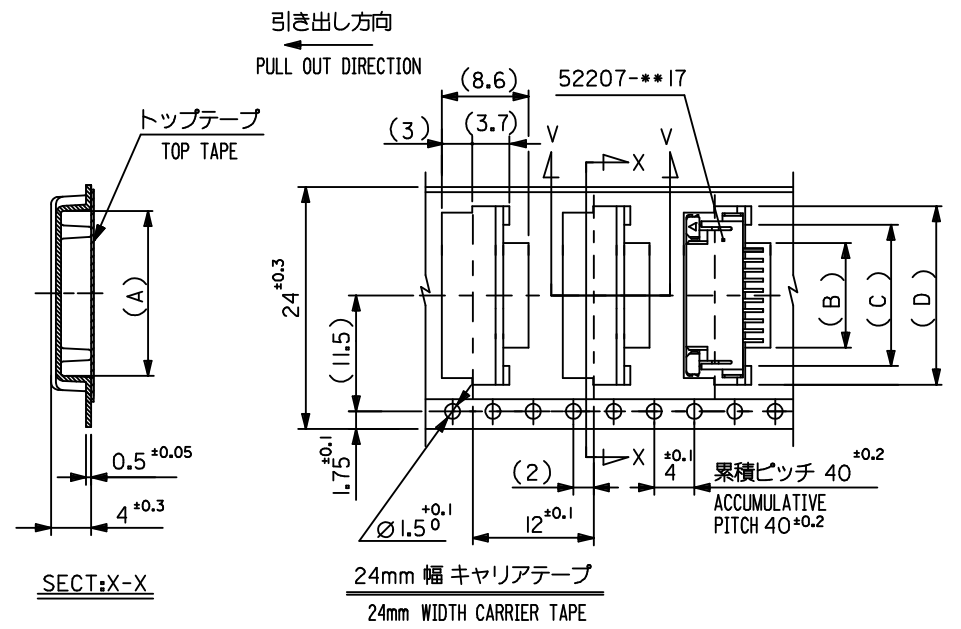


断面D-D
SECT.D-D



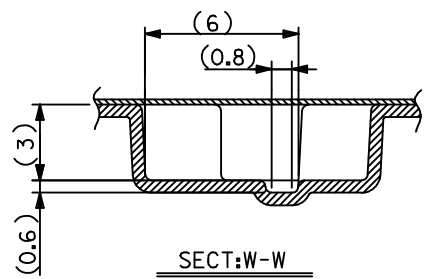
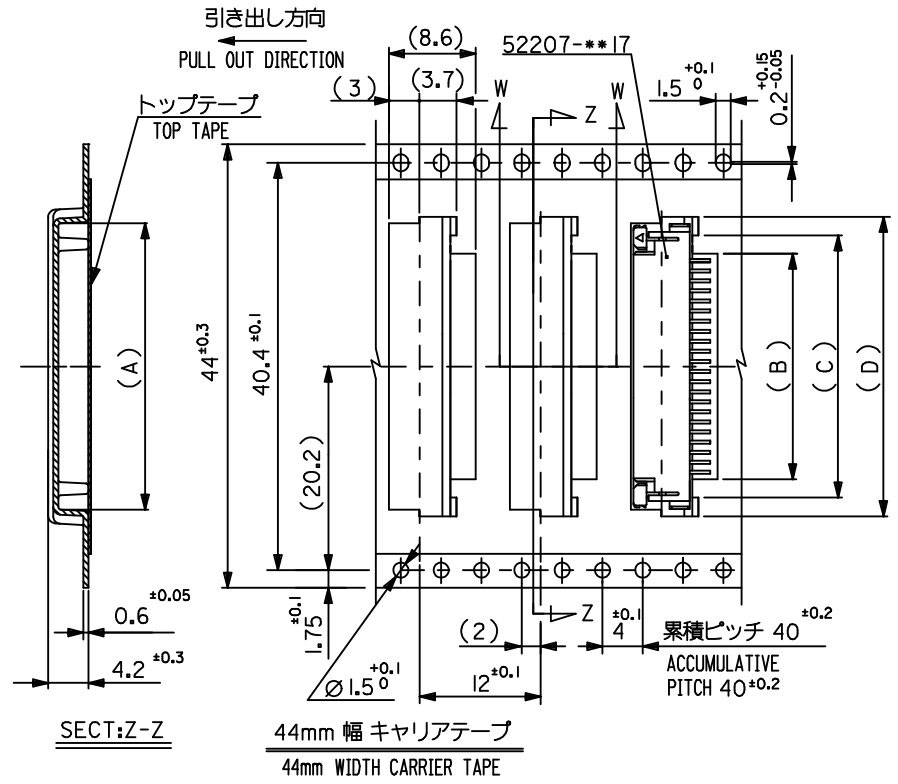
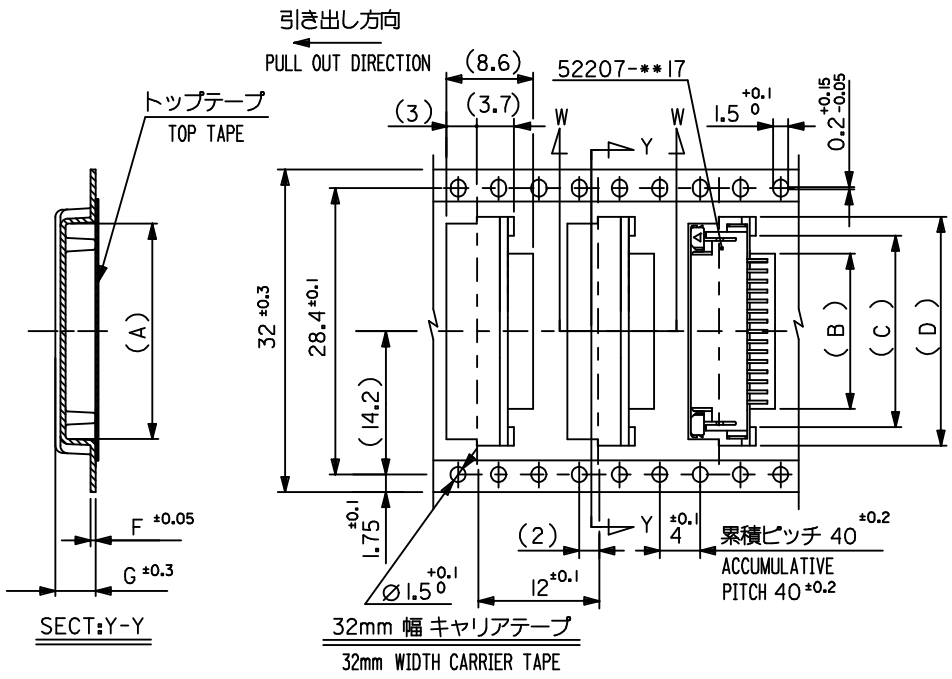
下面図
BOTTOM VIEW

| | | | | | | | |
|---|---------------------------------------|-----------|------------------|---|---|------------------------|--|
| REVISED EC NO: J2016-0429 DRWN: SANUMA 2015/10/26 CHKD: TAKAHASHI 2015/10/29 APPR: YNOGAWA 2015/11/13 | GENERAL TOLERANCES (UNLESS SPECIFIED) | | DIMENSION STYLE | SCALE | DESIGN UNITS | THIRD ANGLE PROJECTION | |
| | | | MM ONLY | --- | METRIC | | |
| | 0.25 UNDER | UNDER | ±0.03 | DRAWN BY | DATE | TITLE | |
| | 0.25 OVER | 0.5 UNDER | ±0.05 | MTAKAHASHI04 | 2013/07/24 | 1.0 FPC CONN ZIF SMT | |
| | 0.5 OVER | 1.0 UNDER | ±0.1 | CHECKED BY | DATE | SHEET 2 OF 2 | |
| 1.0 OVER | 10 UNDER | ±0.2 | KTAKAHASHI | 2013/07/24 | molex DOCUMENT NO. SD-52207-071 SHEET NO. 2 OF 2 | | |
| 10 OVER | 30 UNDER | ±0.25 | APPROVED BY | DATE | | | |
| 30 OVER | | ±0.3 | YNOGAWA | 2013/10/07 | | | |
| ANGULAR ±3 ° | | | MATERIAL NO. | | | | |
| DRAFT WHERE APPLICABLE MUST REMAIN WITHIN DIMENSIONS | | | SEE SHEET 1 OF 2 | | | | |
| | | | SIZE | THIS DRAWING CONTAINS INFORMATION THAT IS PROPRIETARY TO MOLEX INCORPORATED AND SHOULD NOT BE USED WITHOUT WRITTEN PERMISSION | | | |
| | | | A3 | | | | |



| | | | | | | | |
|--------------------------------|------|------|-----|------|------|-------------------------------|------------|
| 24 | 25.5 | 18.5 | 15 | 11.7 | 17.3 | 52207-1190 | 11 |
| | | 17.5 | 14 | 10.7 | 16.3 | 52207-1090 | 10 |
| | | 16.5 | 13 | 9.7 | 15.3 | 52207-0990 | 9 |
| | | 15.5 | 12 | 8.7 | 14.3 | 52207-0890 | 8 |
| | | 14.5 | 11 | 7.7 | 13.3 | 52207-0790 | 7 |
| キャリアテープ幅 CARRIER TAPE WIDTH | E | (D) | (C) | (B) | (A) | EMBOSSED PACKAGE ORDER NO. | 極致 CKT. |

| | | | | | | | |
|---|---------------------------------------|-----------|----------------------------|------------|--|--|------------------------|
| REVISED EC NO: J2016-0429 DRWN: SANUMA 2015/10/26 CHKD: TAKAHASHI 2015/10/29 APPR: YNOGAWA 2015/11/13 | GENERAL TOLERANCES (UNLESS SPECIFIED) | | DIMENSION STYLE MM ONLY | | SCALE --- | DESIGN UNITS METRIC | THIRD ANGLE PROJECTION |
| | 0.25 UNDER | UNDER | ±0.03 | DRAWN BY | DATE | TITLE | |
| | 0.25 OVER | 0.5 UNDER | ±0.05 | MTAKAHASHI | 104 2013/07/24 | EMBOSSED TAPE PACKAGE FOR 52207-***17 SHEET 1 OF 3 | |
| | 0.5 OVER | 1.0 UNDER | ±0.1 | CHECKED BY | DATE | molex | |
| | 1.0 OVER | 10 UNDER | ±0.2 | KTAKAHASHI | 2013/07/24 | DOCUMENT NO. | SHEET NO. |
| 10 OVER | 30 UNDER | ±0.25 | APPROVED BY | DATE | SD-52207-072 | 1 OF 3 | |
| 30 OVER | | ±0.3 | YNOGAWA | 2013/10/07 | SEE CHART | | |
| ANGULAR | ±3 ° | | MATERIAL NO. | | THIS DRAWING CONTAINS INFORMATION THAT IS PROPRIETARY TO MOLEX INCORPORATED AND SHOULD NOT BE USED WITHOUT WRITTEN PERMISSION | | |
| DRAFT WHERE APPLICABLE MUST REMAIN WITHIN DIMENSIONS | | | SIZE A3 | | | | |

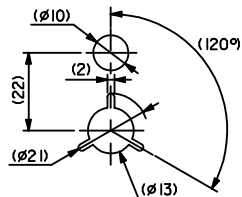
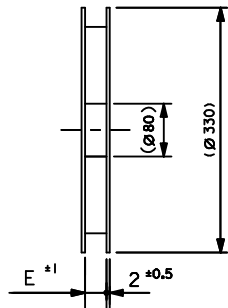
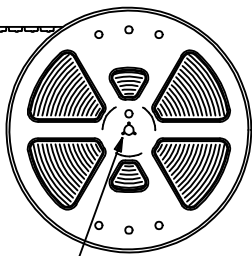


| | | | | | | | | | |
|--------------------------------|------|-----|-----|------|-----|------|-------|-------------------------------|------------|
| 32 | 33.5 | 4.2 | 0.6 | 22.5 | 19 | 15.7 | 21.35 | 52207-1590 | 15 |
| | | 4.2 | 0.6 | 21.5 | 18 | 14.7 | 20.35 | 52207-1490 | 14 |
| キャリアテープ幅 CARRIER TAPE WIDTH | E | (G) | (F) | (D) | (C) | (B) | (A) | EMBOSSED PACKAGE ORDER NO. | 極数 CKT. |

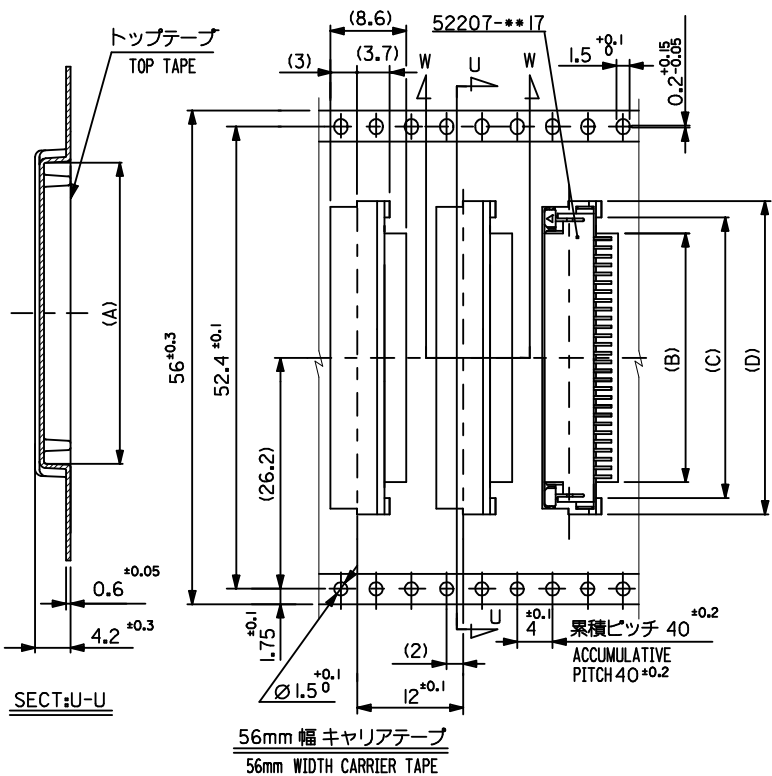
| | | | | | | | |
|--------------------------------|------|------|-----|------|-------|-------------------------------|------------|
| 44 | 45.5 | 32.5 | 29 | 25.7 | 31.35 | 52207-2590 | 25 |
| | | 31.5 | 28 | 24.7 | 30.35 | 52207-2490 | 24 |
| | | 29.5 | 26 | 22.7 | 28.35 | 52207-2290 | 22 |
| | | 24.5 | 21 | 17.7 | 23.35 | 52207-1790 | 17 |
| | | | | | | | |
| キャリアテープ幅 CARRIER TAPE WIDTH | E | (D) | (C) | (B) | (A) | EMBOSSED PACKAGE ORDER NO. | 極数 CKT. |

| | | | | | | |
|--|---------------------------------------|--------------|---|----------------|---|--|
| REVISED EC NO: J2016-0429 DRWN:NASANUMA 2015/10/26 CHKD:KAKAHASHI 2015/10/29 APPR:YNOGAWA 2015/11/13 | GENERAL TOLERANCES (UNLESS SPECIFIED) | | DIMENSION STYLE | SCALE | DESIGN UNITS | THIRD ANGLE PROJECTION EMBOSSED TAPE PACKAGE FOR 52207-**17 SHEET 2 OF 3 molex DOCUMENT NO. SD-52207-072 SHEET NO. 2 OF 3 |
| | 0.25 UNDER UNDER ±0.03 | | MM ONLY | --- | METRIC | |
| | 0.25 OVER 0.5 UNDER ±0.05 | | DRAWN BY | DATE | TITLE | |
| | 0.5 OVER 1.0 UNDER ±0.1 | | MTAKAHASHI | 104 2013/07/24 | EMBOSSED TAPE PACKAGE FOR 52207-**17 SHEET 2 OF 3 | |
| | 1.0 OVER 10 UNDER ±0.2 | | CHECKED BY | DATE | | |
| 10 OVER 30 UNDER ±0.25 | | KTAKAHASHI | 2013/07/24 | | | |
| 30 OVER ±0.3 | | APPROVED BY | DATE | | | |
| ANGULAR ±3 ° | | YNOGAWA | 2013/10/07 | | | |
| DRAFT WHERE APPLICABLE MUST REMAIN WITHIN DIMENSIONS | | MATERIAL NO. | SEE CHART | | | |
| | | SIZE | THIS DRAWING CONTAINS INFORMATION THAT IS PROPRIETARY TO MOLEX INCORPORATED AND SHOULD NOT BE USED WITHOUT WRITTEN PERMISSION | | | |

引き出し方向
PULL OUT DIRECTION



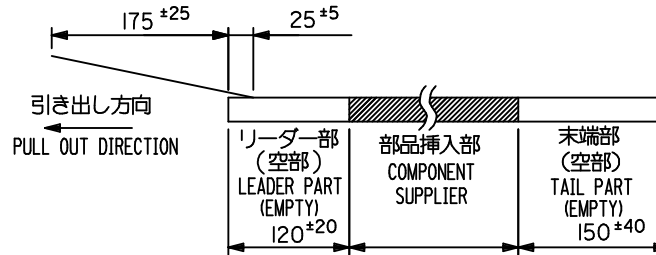
DETAIL "F"



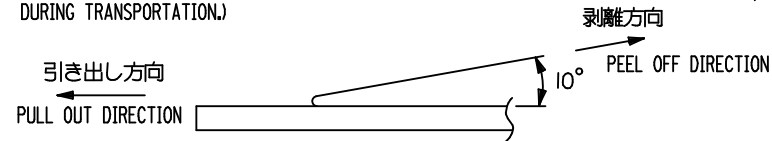
注記

- 製品番号 52207-***17 の梱包状態はアクチュエータがロックした状態とする。
詳細寸法については図面 SD-52207-071 を参照下さい。
IN THE PACKAGE, ACTUATOR OF PART NO. 52207-***17 SHOULD BE LOCKED
RE DETAILED DIMENSIONS, SEE SD-52207-071
- 梱包数量：1000個/リール
NUMBER OF CONNECTORS : 1000PCS/REEL
- リードテープ長さ(LEAD TAPE LENGTH)

トップテープ TOP TAPE トップテープ TOP TAPE
リーダー部 LEADER PART 未接着部 NON-BONDED PART



- トップテープの剥離強度：(剥離方向は下図参照)
60gf MAX. 尚、本規格値は、出荷時に適用。(但し、輸送時に剥離が発生しない事。)
PEELING OFF FORCE OF TOP TAPE : 60gf MAX. (PEELING DIRECTION AS SHOWN IN FOLLOWING FIG.)
THIS REQUIREMENT SHOULD BE APPLIED AT SHIPMENT. (PEEL OFF SHOULD NOT BE ALLOWED, DURING TRANSPORTATION.)



- 材料 (MATERIAL)
キャリアテープ (CARRIER TAPE) : ポリプロピレン (POLYPROPYLENE)
トップテープ (TOPTAPE) : PET, PE, PEF
リール (REEL) : ポリスチレン (PS) <リサイクル材を含む>
POLYSTYREN (PS) <RECYCLE MATERIAL CONTAINED>

| | | | | | | | |
|--------------------------------|------|------|-----|------|-------|-------------------------------|------------|
| 56 | 57.5 | 37.5 | 34 | 30.7 | 36.35 | 52207-3090 | 30 |
| | | 35.5 | 32 | 28.7 | 34.35 | 52207-2890 | 28 |
| キャリアテープ幅 CARRIER TAPE WIDTH | E | (D) | (C) | (B) | (A) | EMBOSSED PACKAGE ORDER NO. | 極致 CKT. |

| | | | | | | | |
|---|--|-----------|--|--------------------------|------------------------|---|---------------------------|
| REVISED EC NO: J2016-0429 DRWN: SANUMA 2015/10/26 CHKD: TAKAHASHI 2015/10/29 APPR: YNOGAWA 2015/11/13 | GENERAL TOLERANCES (UNLESS SPECIFIED) | | DIMENSION STYLE MM ONLY | | SCALE --- | DESIGN UNITS METRIC | THIRD ANGLE PROJECTION |
| | 0.25 UNDER | UNDER | ±0.03 | DRAWN BY MTAKAHASHI | DATE 104 2013/07/24 | TITLE EMBOSSED TAPE PACKAGE FOR 52207-***17 SHEET 3 OF 3 | |
| | 0.25 OVER | 0.5 UNDER | ±0.05 | CHECKED BY KTAKAHASHI | DATE 2013/07/24 | molex | |
| | 0.5 OVER | 1.0 UNDER | ±0.1 | APPROVED BY YNOGAWA | DATE 2013/10/07 | | |
| 1.0 OVER | 10 UNDER | ±0.2 | MATERIAL NO. | | DOCUMENT NO. | SHEET NO. | |
| 10 OVER | 30 UNDER | ±0.25 | SEE CHART | | SD-52207-072 | 3 OF 3 | |
| 30 OVER | | ±0.3 | THIS DRAWING CONTAINS INFORMATION THAT IS PROPRIETARY TO MOLEX INCORPORATED AND SHOULD NOT BE USED WITHOUT WRITTEN PERMISSION | | | | |
| ANGULAR | ±3 ° | | | | | | |
| DRAFT WHERE APPLICABLE MUST REMAIN WITHIN DIMENSIONS | | | | | | | |