

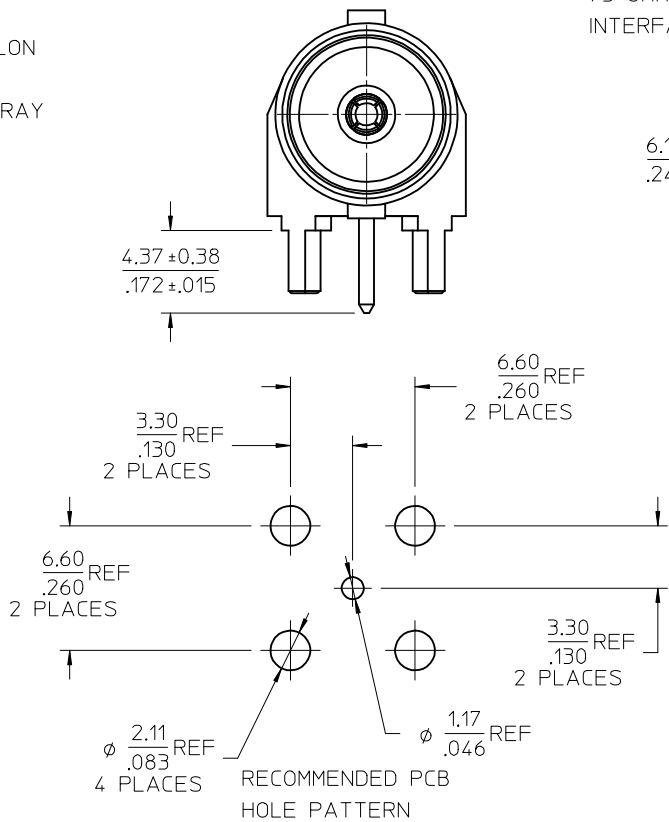
MATERIALS AND FINISHES

BODY ZINC
PLATED SEE TABLE

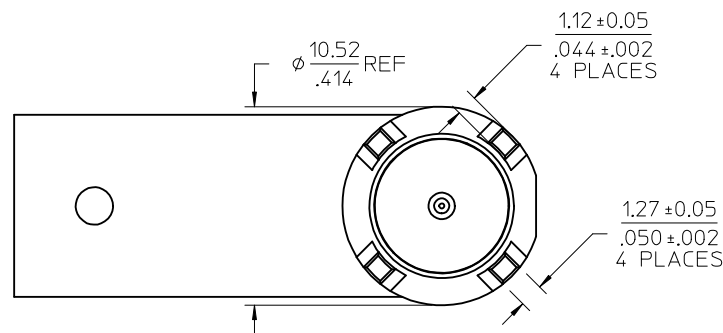
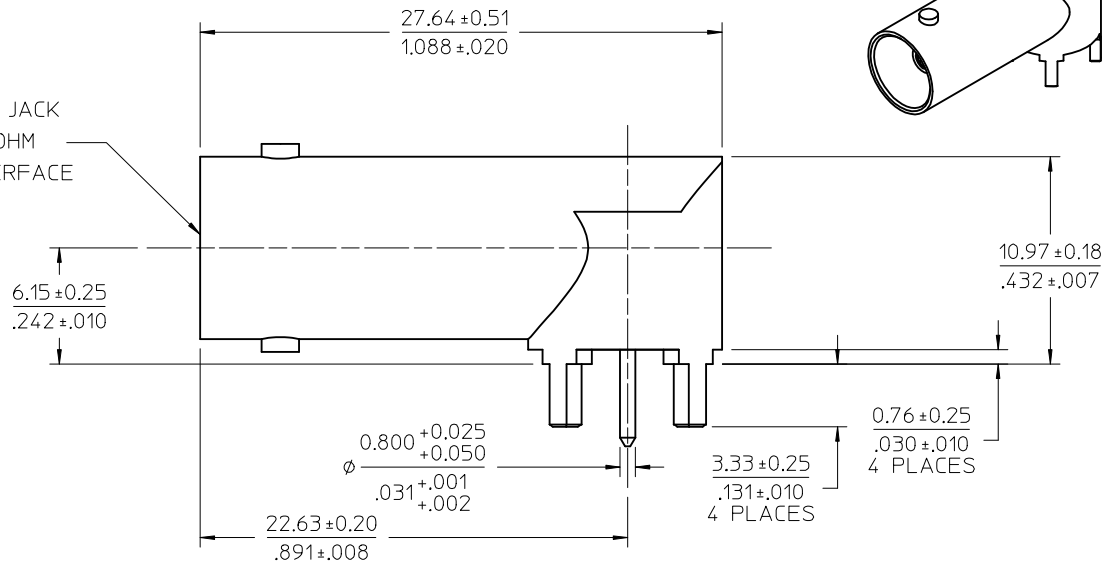
CENTER CONTACT PHOSPHOR BRONZE
PLATED GOLD OVER NICKEL

INSULATOR TEFLON

PACKAGING: BY TRAY



BNC JACK
75 OHM
INTERFACE



73171-1641	NICKEL
73171-1640	BRIGHT TIN OVER NICKEL
PART NO.	PLATING

PS-89675-2020	PRODUCT SPECIFICATION
SPECIFICATION	DESCRIPTION

CHG: ADDED PKG PER RP15-E277 EC NO: URF2016-0091 DRWN: CME102 2015/08/06 CHKD: APPR: YCHENG 2015/08/07 A4	QUALITY SYMBOLS 	GENERAL TOLERANCES (UNLESS SPECIFIED)		DIMENSION STYLE MM/IN		SCALE	DESIGN UNITS METRIC	THIRD ANGLE PROJECTION																					
		<table border="1"> <tr> <th></th> <th>mm</th> <th>INCH</th> </tr> <tr> <td>4 PLACES</td> <td>± .005</td> <td>± .0005</td> </tr> <tr> <td>3 PLACES</td> <td>± .005</td> <td>± .0005</td> </tr> <tr> <td>2 PLACES</td> <td>± .005</td> <td>± .0005</td> </tr> <tr> <td>1 PLACE</td> <td>± .005</td> <td>± .0005</td> </tr> <tr> <td>0 PLACE</td> <td>± .005</td> <td>± .0005</td> </tr> </table>			mm	INCH	4 PLACES	± .005	± .0005	3 PLACES	± .005	± .0005	2 PLACES	± .005	± .0005	1 PLACE	± .005	± .0005	0 PLACE	± .005	± .0005	DRAWN BY DATE SSS 2001/10/18		TITLE		BNC JACK R/A PCB 75 OHMS 3GHZ BNC-J/RA/PCB EWR-1520 molex		SHEET NO. 1 OF 1	
			mm	INCH																									
		4 PLACES	± .005	± .0005																									
3 PLACES	± .005	± .0005																											
2 PLACES	± .005	± .0005																											
1 PLACE	± .005	± .0005																											
0 PLACE	± .005	± .0005																											
DRAFT WHERE APPLICABLE MUST REMAIN WITHIN DIMENSIONS		CHECKED BY DATE TEF 2001/10/18		APPROVED BY DATE GMH 2001/10/18																									
ANGULAR ± 2 °		MATERIAL NO.		DOCUMENT NO.		SD-73171-164																							
SIZE C		SEE TABLE		THIS DRAWING CONTAINS INFORMATION THAT IS PROPRIETARY TO MOLEX INCORPORATED AND SHOULD NOT BE USED WITHOUT WRITTEN PERMISSION																									