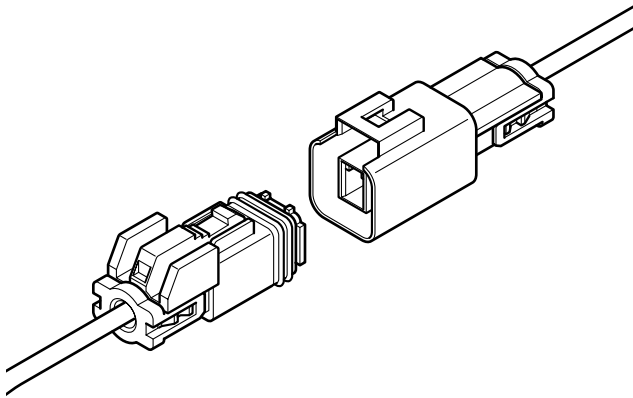


MWP CONNECTOR

7.0mm pitch/Disconnectable Crimp style Wire-to-wire connectors



Waterproof wire-to-wire connector for electric power supply.

- Low insertion force contact
- Housing lance
- Inner-housing lock
- Slider locking mechanism
- Interchangeability

Specifications

- Current rating: 7A AC, DC max.
- Voltage rating: 300V AC, DC max.
- Temperature range: -40°C to +105°C
(including temperature rise in applying electrical current)
- Contact resistance: Initial value/7m Ω max.
After environmental testing/10m Ω max.
- Insulation resistance: 1,000M Ω min.
- Withstanding voltage: 1,500V AC/minute
- Applicable wire: AWG #26 to #18
0.13 to 0.75mm²
Insulation O.D./2.1 to 2.5mm
- Waterproof grade: Grade 4 ingress protection of JIS C 0920(IEC 60529 IPX4)
- * Compliant with RoHS.
- * Refer to "General Instruction and Notice when using Terminals and Connectors" at the end of this catalog.
- * Contact JST for details.

Note: The current rating varies depending on the number of circuits and the wire size used in each connector.

The table below lists the current rating as a function of the number of circuits and wire size.

Current unit: A

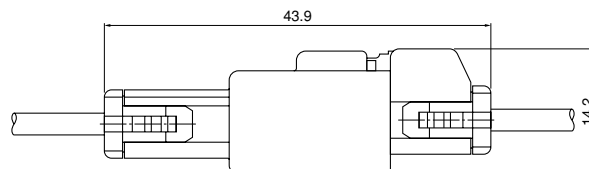
Circuits	Wire size (AWG)				
	#18	#20	#22	#24	#26
1	7	5	4	3	2
2	7	5	4	3	2

Standards

Ⓜ Recognized E60389

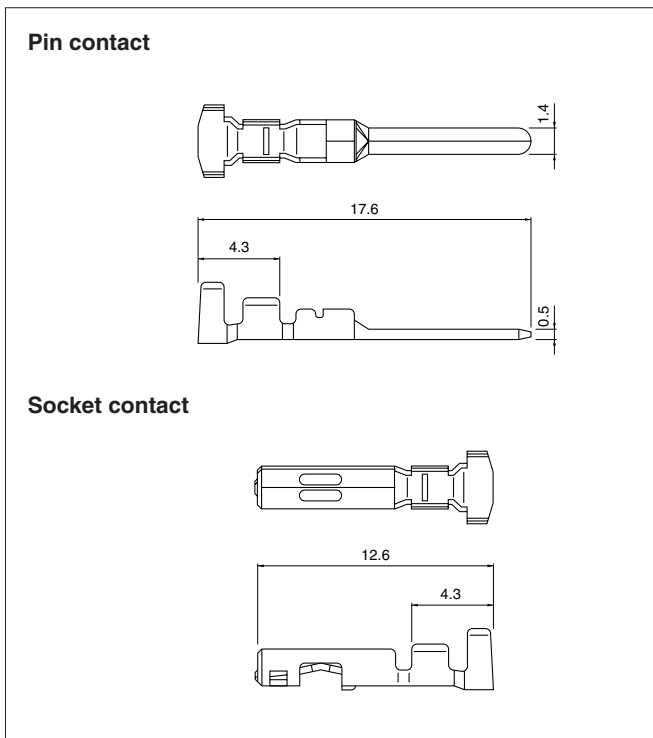
Ⓢ Certified LR20812

Assembly layout



MWP CONNECTOR

Contact



Model No.		Applicable wire		Insulation O.D. (mm)	Q'ty / reel
Pin contact	Socket contact	mm ²	AWG #		
SSM-01T-P1.4	SSF-01T-P1.4	0.13~0.5	26~20	2.1~2.5	6,000
SSM-21T-P1.4	SSF-21T-P1.4	0.3 ~0.75	22~18		

Material and Finish

Phosphor bronze, tin-plated (reflow treatment)

RoHS compliance

Note: Contact JST for special products.

Contact	Crimping machine	Applicator		
		Crimp applicator	Dies	Crimp applicator with dies
SSM-01T-P1.4	AP-K2N	MKS-L	MK/SSF/M-01-14	APLMK SSF/M01-14
SSF-01T-P1.4		—	—	—
SSM-21T-P1.4		MKS-L	MK/SSF/M-21-14	APLMK SSF/M21-14
SSF-21T-P1.4		—	—	—

Housing

Material: PBT, UL94V-0, white

Circuits	Voltage rating	Current rating	Receptacle housing(for socket contact)		Plug housing(for pin contact)	
			Model	Q'ty / box	Model	Q'ty / box
1	300V	7A	01R-MWPV-SSRR 	252	01P-MWPV-SSR 	228
2	300V	7A	02R-MWPV-SSRR 	144	02P-MWPV-SSR 	144

RoHS compliance

Note: 1. Model ()P-MWPV-SSR comes with the wire end seal and slider.
2. Model ()R-MWPV-SSRR comes with the rubber ring, wire end seal and slider.