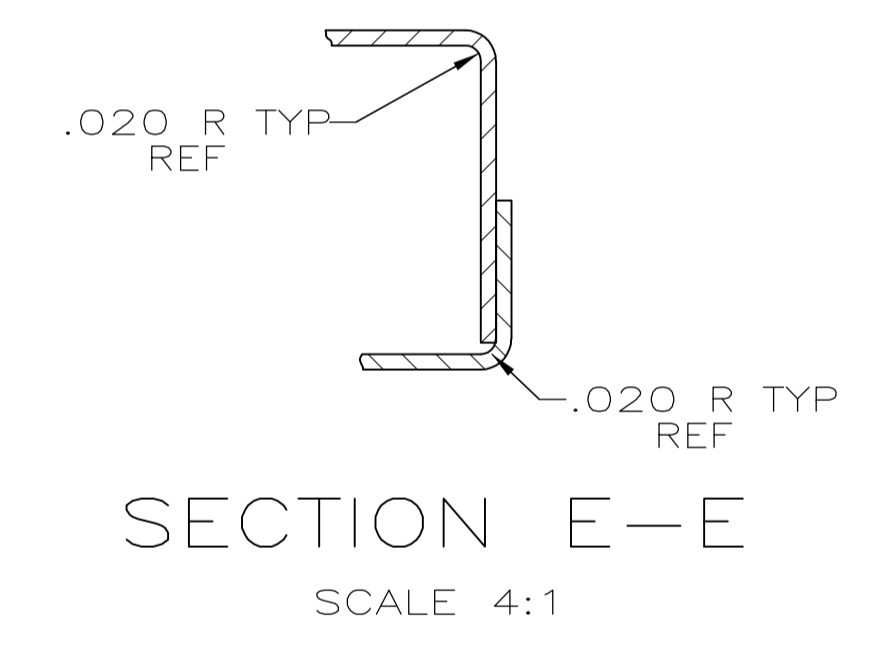
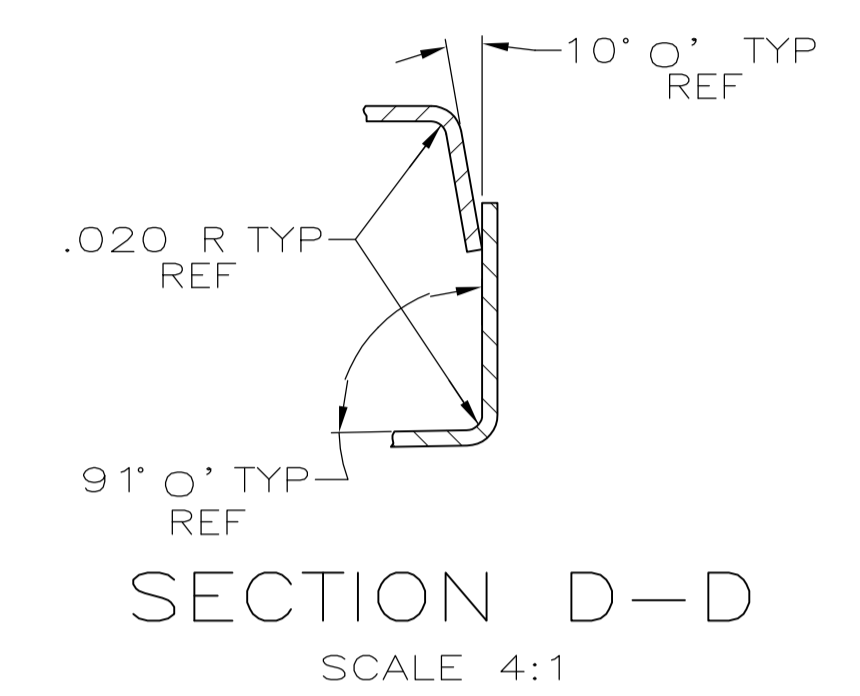
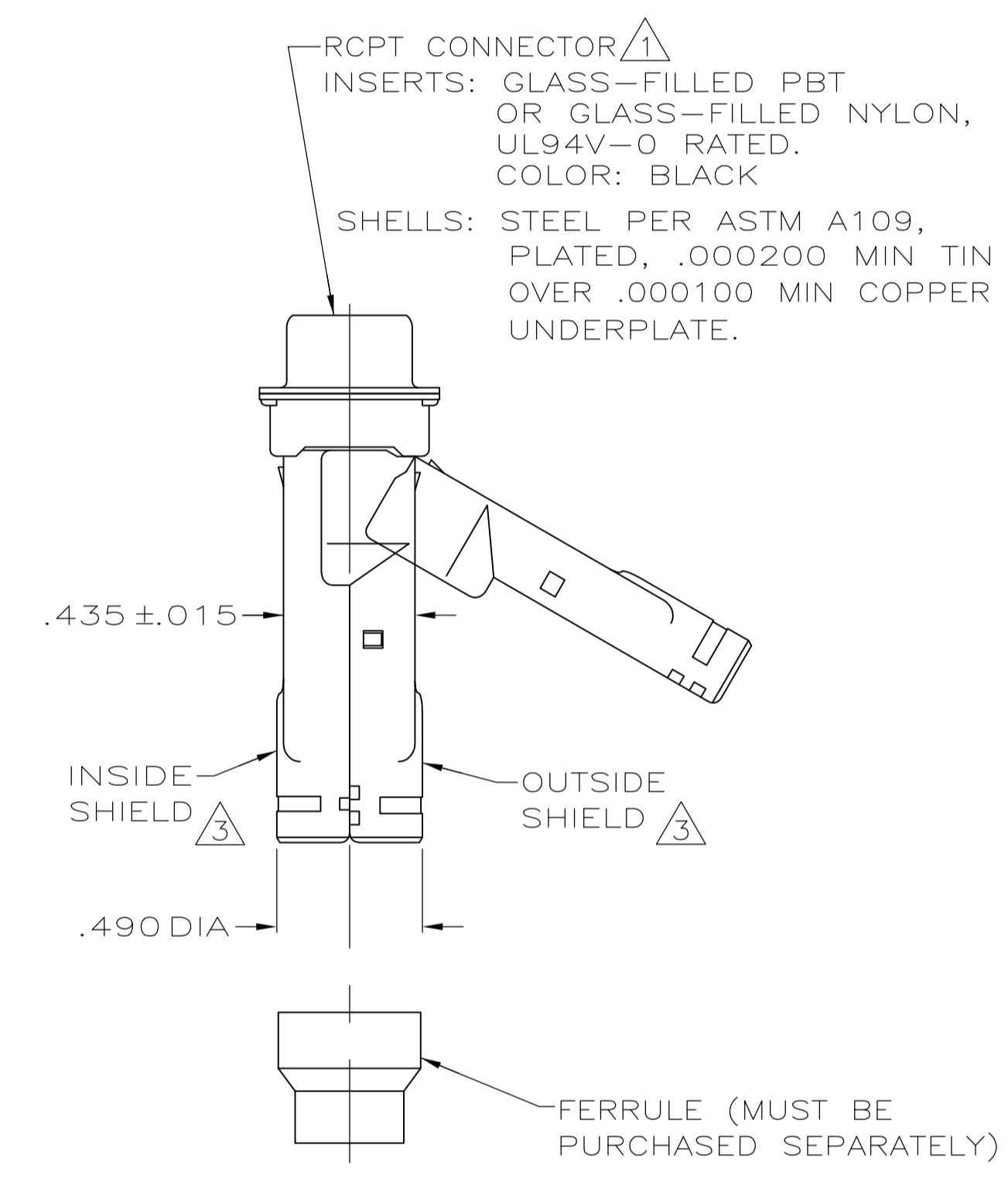
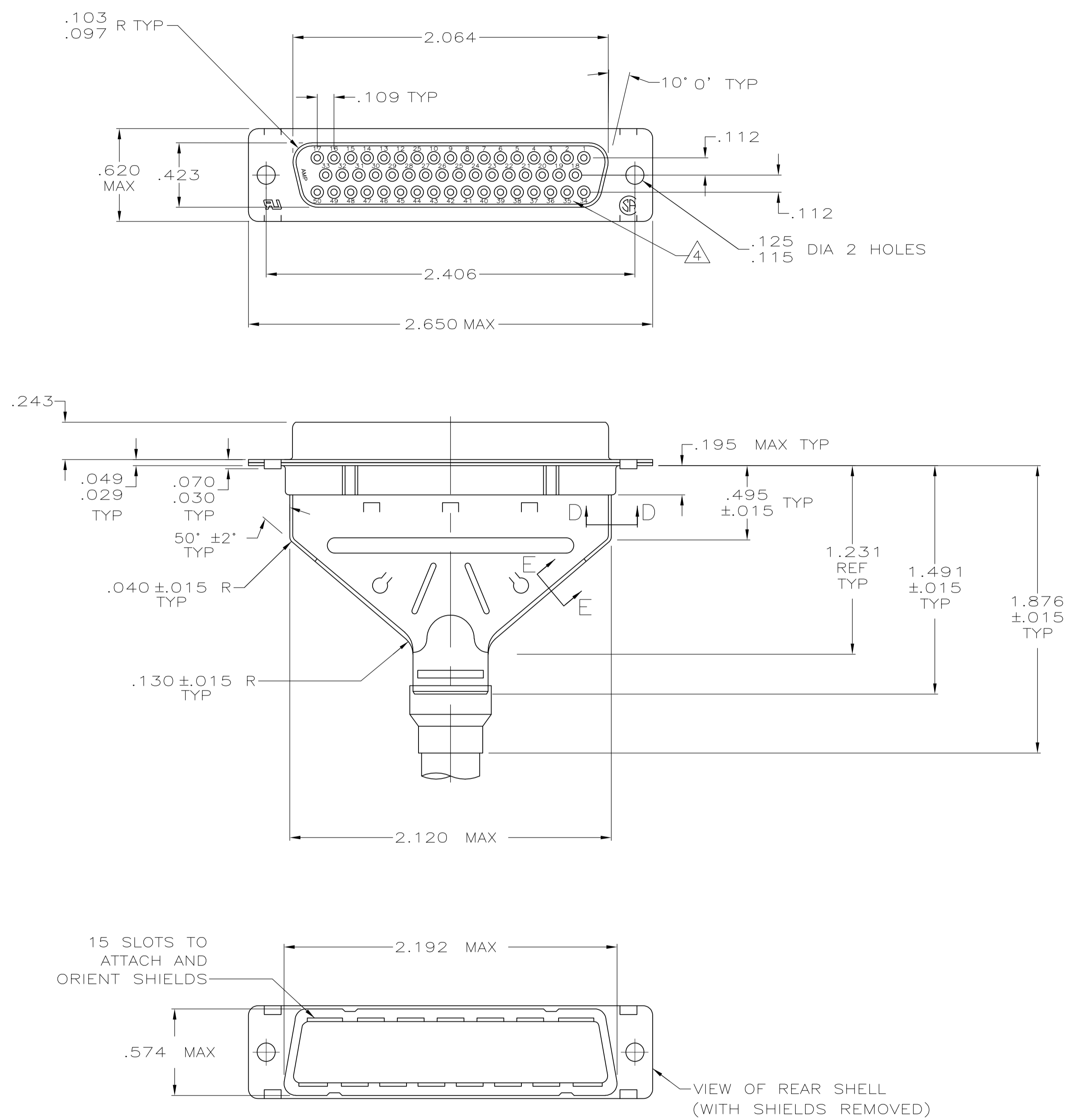


LOC		DIST		REVISIONS			
GP	00	P	LTR	DESCRIPTION	DATE	DN	APVD
A				REVISED PER ECO-14-011808	09AUG2014	AP	SB



- 1 RCPT ACCEPTS SIZE 20 SOCKET CONTACTS (CONTACTS MUST BE ORDERED SEPARATELY).
- 2. ALL PARTS SHIPPED UNASSEMBLED, EACH PART INDIVIDUALLY BULK PACKED.
- 3 SHIELDS: MATERIAL-.020 THICK STEEL, PER ASTM A109, PLATED .000200 MIN TIN OVER .000100 MIN COPPER UNDERPLATE.
- 4 RAISED CAVITY IDENTIFICATION AND AMP TRADEMARK.

1658653-1
PART NUMBER

THIS DRAWING IS A CONTROLLED DOCUMENT.		DIN J. REITZEL 31JUL03		STE TE Connectivity	
DIMENSIONS: INCHES		CHK S. BOLASH 31JUL03		NAME	
TOLERANCES UNLESS OTHERWISE SPECIFIED:		APP'D M. WALMSLEY 31JUL03		KIT, RCPT, SHIELDING HARDWARE, SIZE 5, 50 POSN, AMPLIMITE HDP-20	
0 PLC ± -		PRODUCT SPEC		TM	
1 PLC ± -		108-40030		RESTRICTED TO	
2 PLC ± -		APPLICATION SPEC		SIZE CAGE CODE DRAWING NO	
3 PLC ± .005		114-40030		A1 00779 C=1658653	
4 PLC ± -		WEIGHT		SCALE 2:1 SHEET 1 OF 1 REV A	
ANGLES ± #° 30'		MATERIAL SEE CALL OUT (3)		CUSTOMER DRAWING	
FINISH SEE CALL OUT (3)					