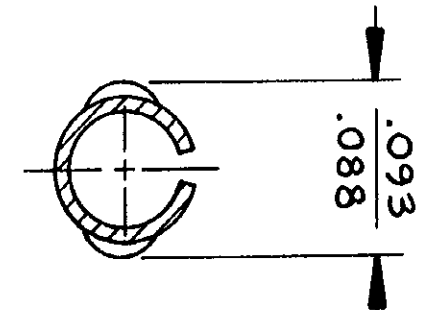
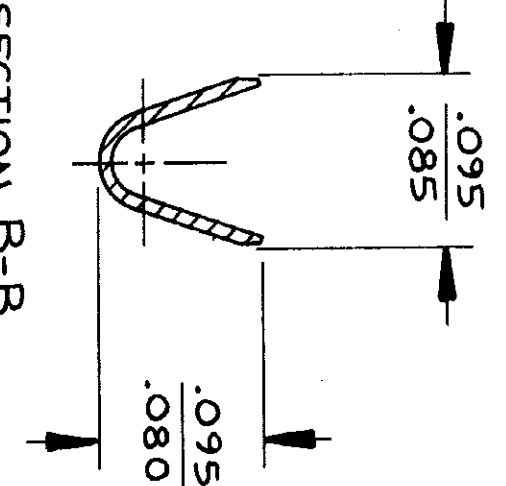
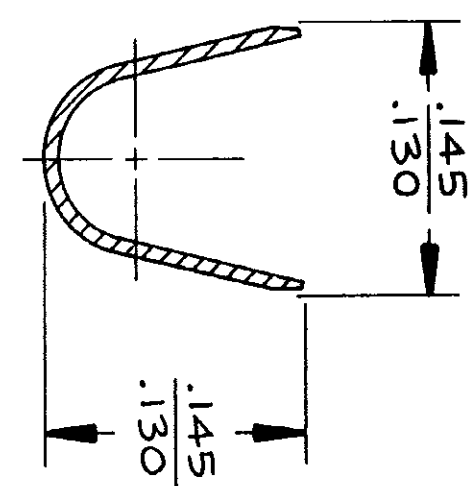
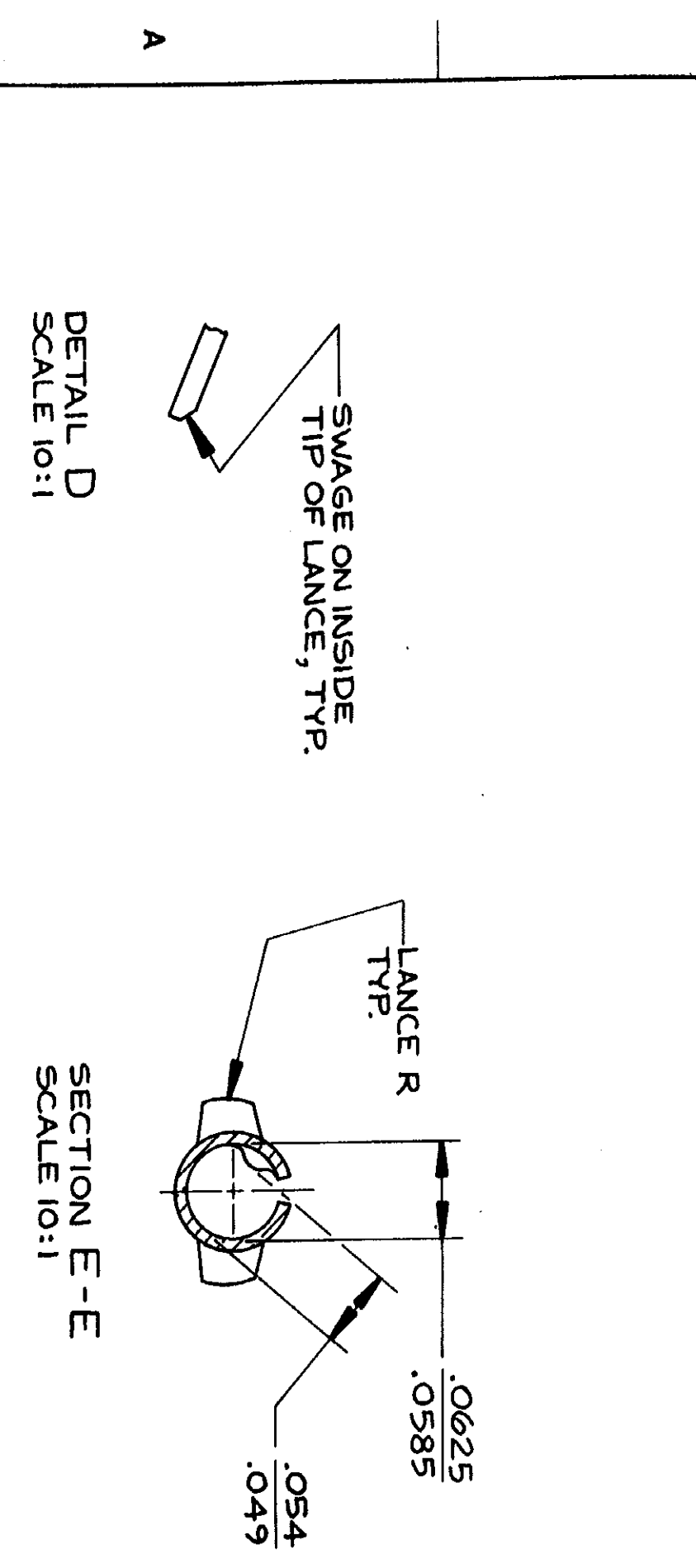
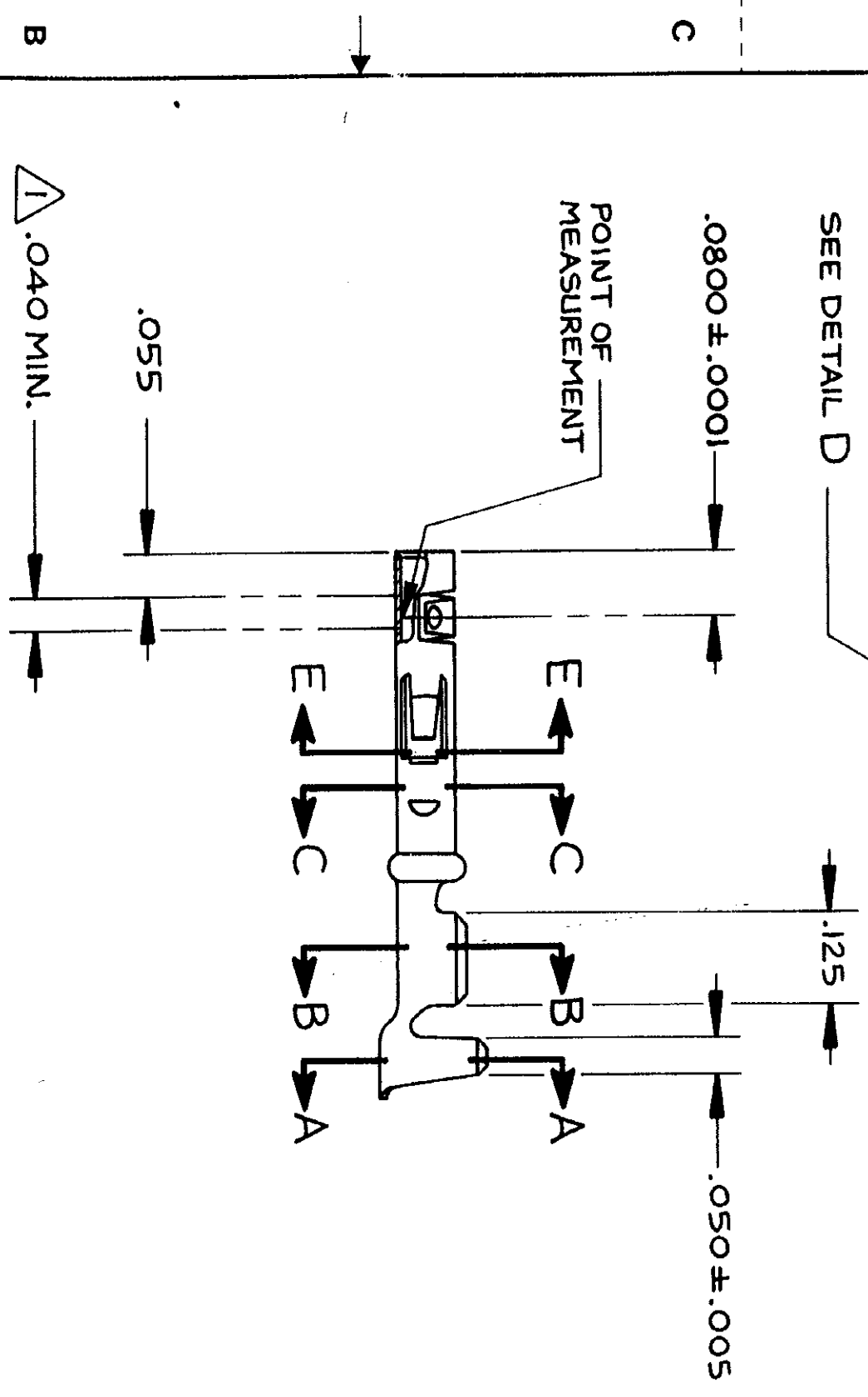
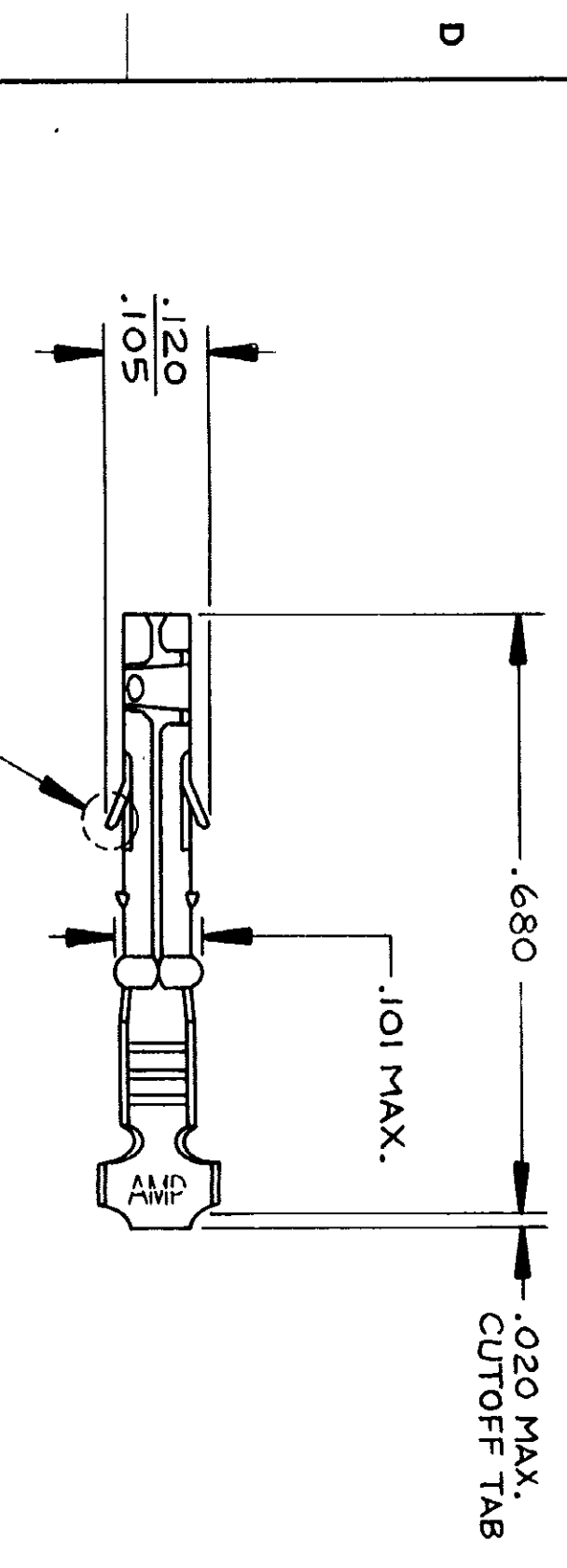


LOC	DIST	REVISIONS	DESCRIPTION	DATE	APPD
CM	53				
			S2 WAS SHOWN ON DWG. 350665	5-27-87	5/AS



- 1 PLATED INSIDE WITH .000030 GOLD OVER .000050 NICKEL UNDERPLATE.
2. WIRE RANGE: 26-18 AWG INSULATION RANGE: .050-.115 DIA.

SECTION C-C
SCALE 10:1

SECTION B-B
SCALE 10:1

SECTION A-A
SCALE 10:1

UNLESS OTHERWISE SPECIFIED DIMENSIONS ARE IN INCHES TOLERANCES ON
 2 PL DEC + .010
 3 PL DEC + .010
 ANGLES ± .010

DR	S. JAMES	5-27-87	NAME	AMP	AMP INCORPORATED	Harrisburg, Pa. 17105
CHK	K. SHAW	6-1-87				
APPD	W. R. SHAW	6-2-87				
APPD						
PRODUCT SPEC			MR RECEPTACLE, LOOSE PIECE			
APPLICATION SPEC			SIZE FSCM NO DRAWING NO			
FINISH SEE TABLE			C 00779 350666			
WEIGHT			SCALE 5:1 SHEET 1 OF 1			

PART NUMBER	MATERIAL	FINISH
350666-1	.008 PHOS. BRONZE	PRE-TIN
-2	.008 PHOS. BRONZE	PRE-GOLD STRIP