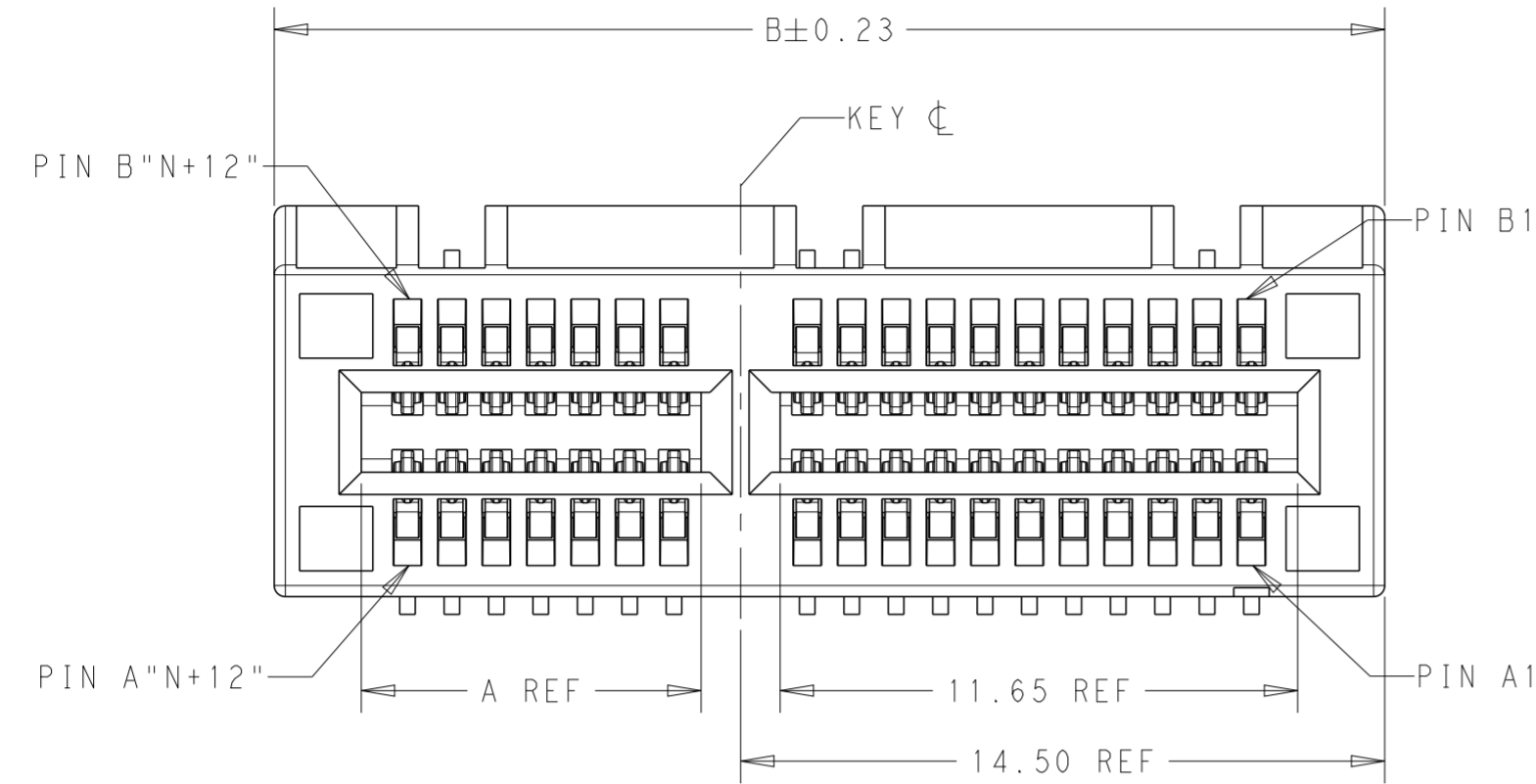


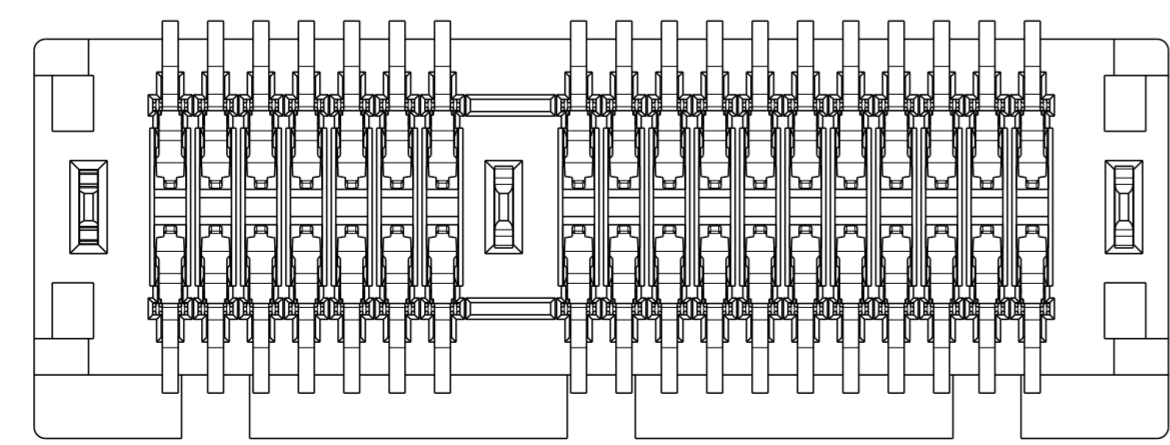
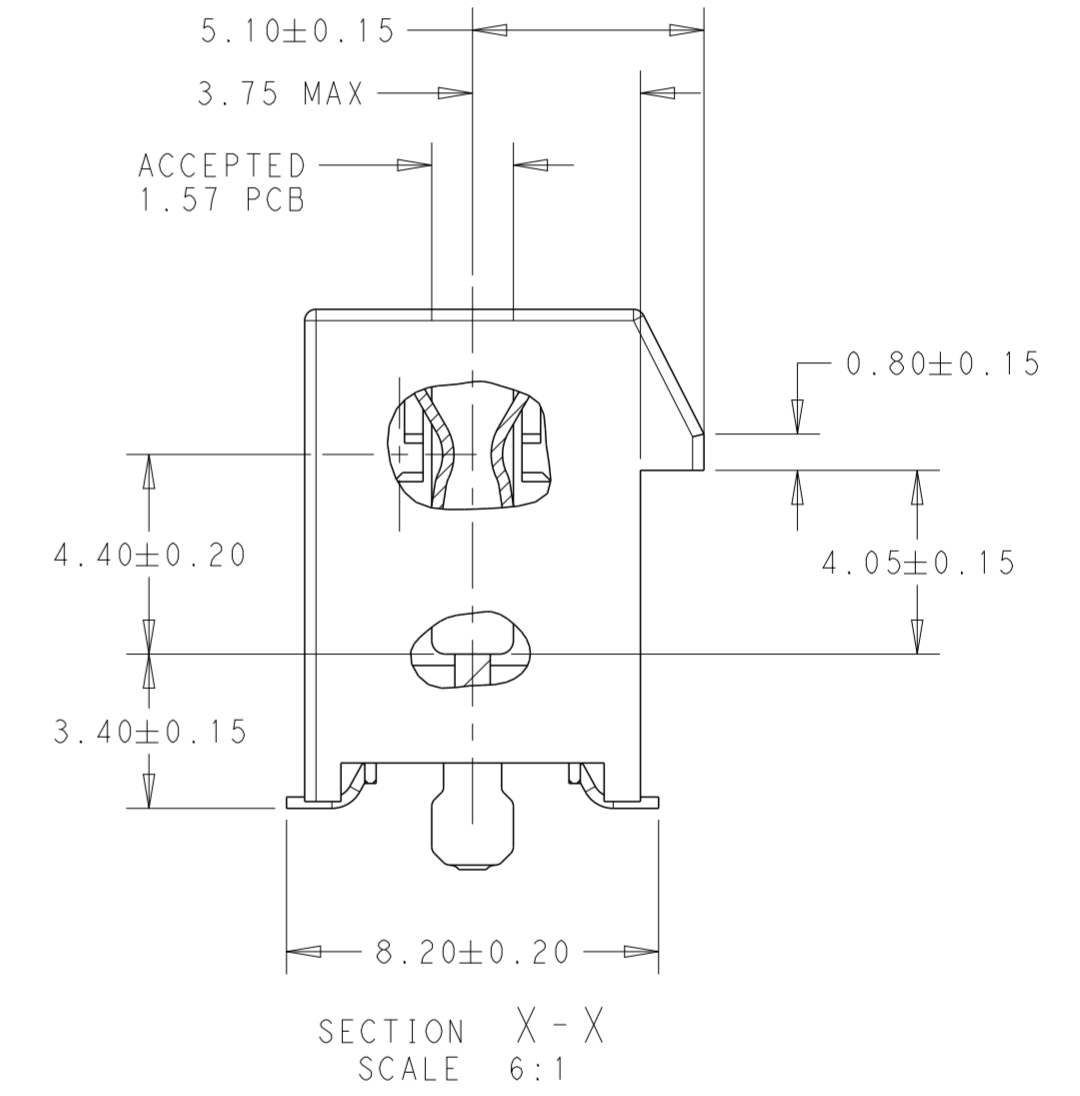
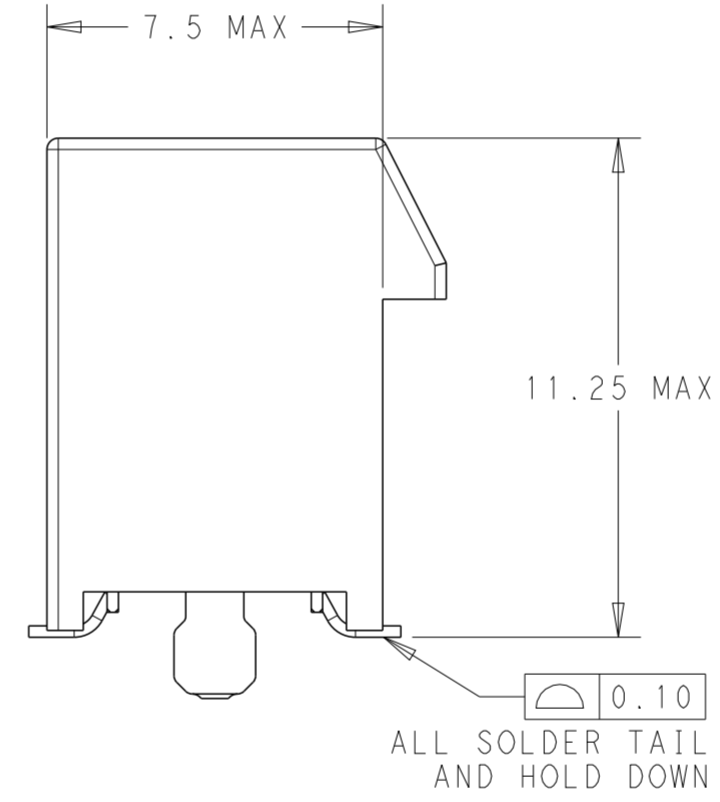
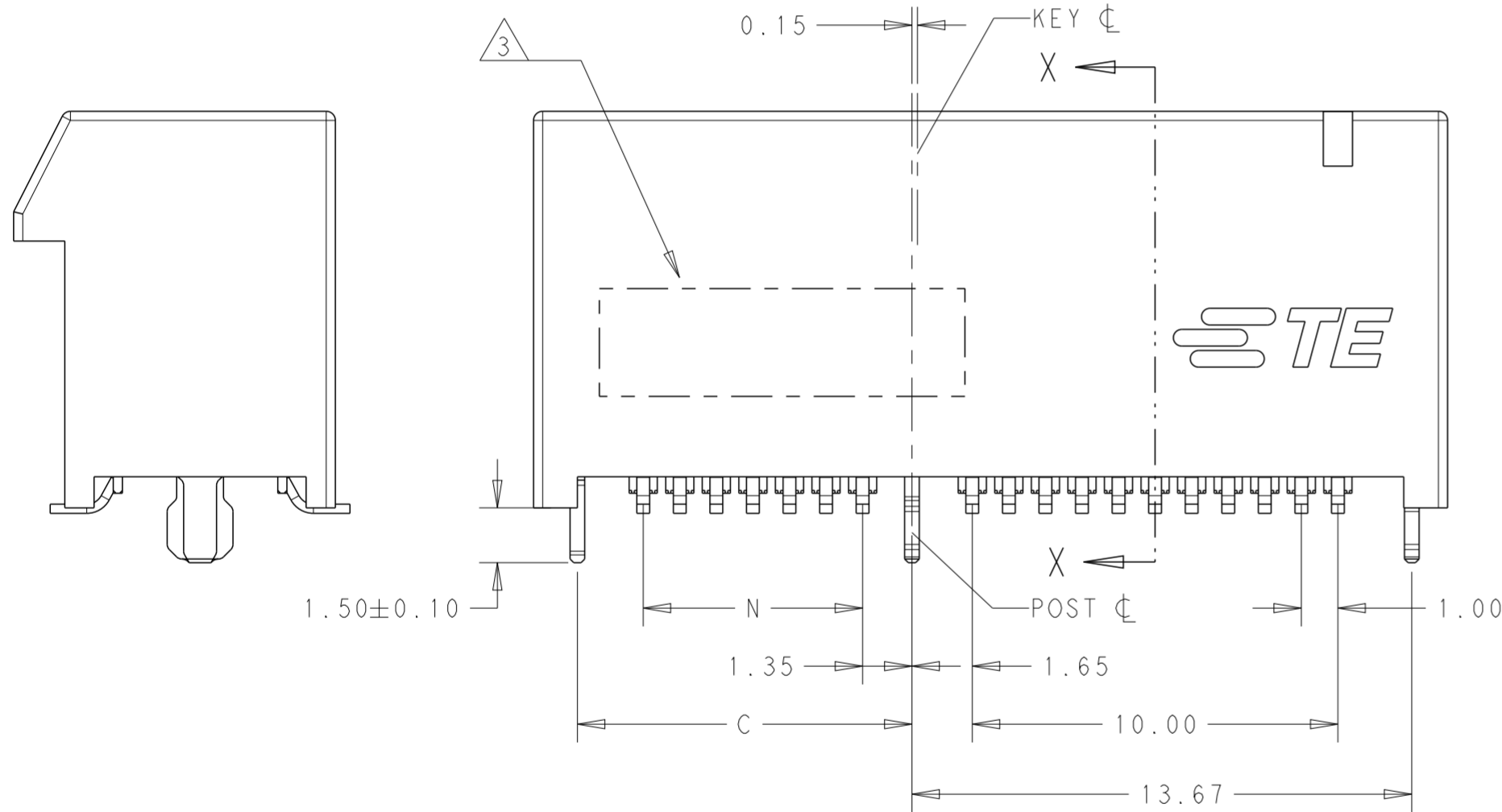
THIS DRAWING IS UNPUBLISHED. RELEASED FOR PUBLICATION 20
 © COPYRIGHT 20 BY - ALL RIGHTS RESERVED.

REVISIONS				
P	LTR	DESCRIPTION	DATE	APVD
C		ECR-21-119335	25JUN2022	TL HL



NOTES:

- 1 MATERIAL:
HOUSING: LCP UL94V-0; BLACK
CONTACT: COPPER ALLOY
TAB: COPPER ALLOY OR STAINLESS STEEL
- 2 FINISH:
(SEE TABLE) μm GOLD PLATING ON CONTACT AREA.
2.54 μm MATTE-TIN PLATING ON SOLDER TAIL AREA.
1.27 μm NICKEL UNDERPLATING OVERALL.
- 3 PART NUMBR AND DC PRINTED IN APROPRIATE AREA OR OPPOSITE


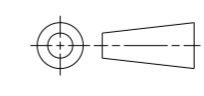


THIS DRAWING IS A CONTROLLED DOCUMENT.		DWN TONY LI 05NOV2019	TE Connectivity	
DIMENSIONS: mm		CHK ALEX SHOAL 05NOV2019		
TOLERANCES UNLESS OTHERWISE SPECIFIED:		APVD HOPE LU 05NOV2019	NAME PCI EXPRESS GEN4 CARD EDGE CONNECTOR SOLDER TAB	
0 PLC \pm		PRODUCT SPEC -	SIZE CAGE CODE DRAWING NO RESTRICTED TO	
1 PLC ± 0.3		APPLICATION SPEC -	A200779 C-2354154	
2 PLC ± 0.20		WEIGHT -	SCALE 3:1 SHEET 1 OF 5 REV C	
3 PLC ± 0.050		CUSTOMER DRAWING		
4 PLC \pm				
ANGLES \pm				
FINISH \pm				

THIS DRAWING IS UNPUBLISHED. RELEASED FOR PUBLICATION 20
 © COPYRIGHT 20 BY - ALL RIGHTS RESERVED.

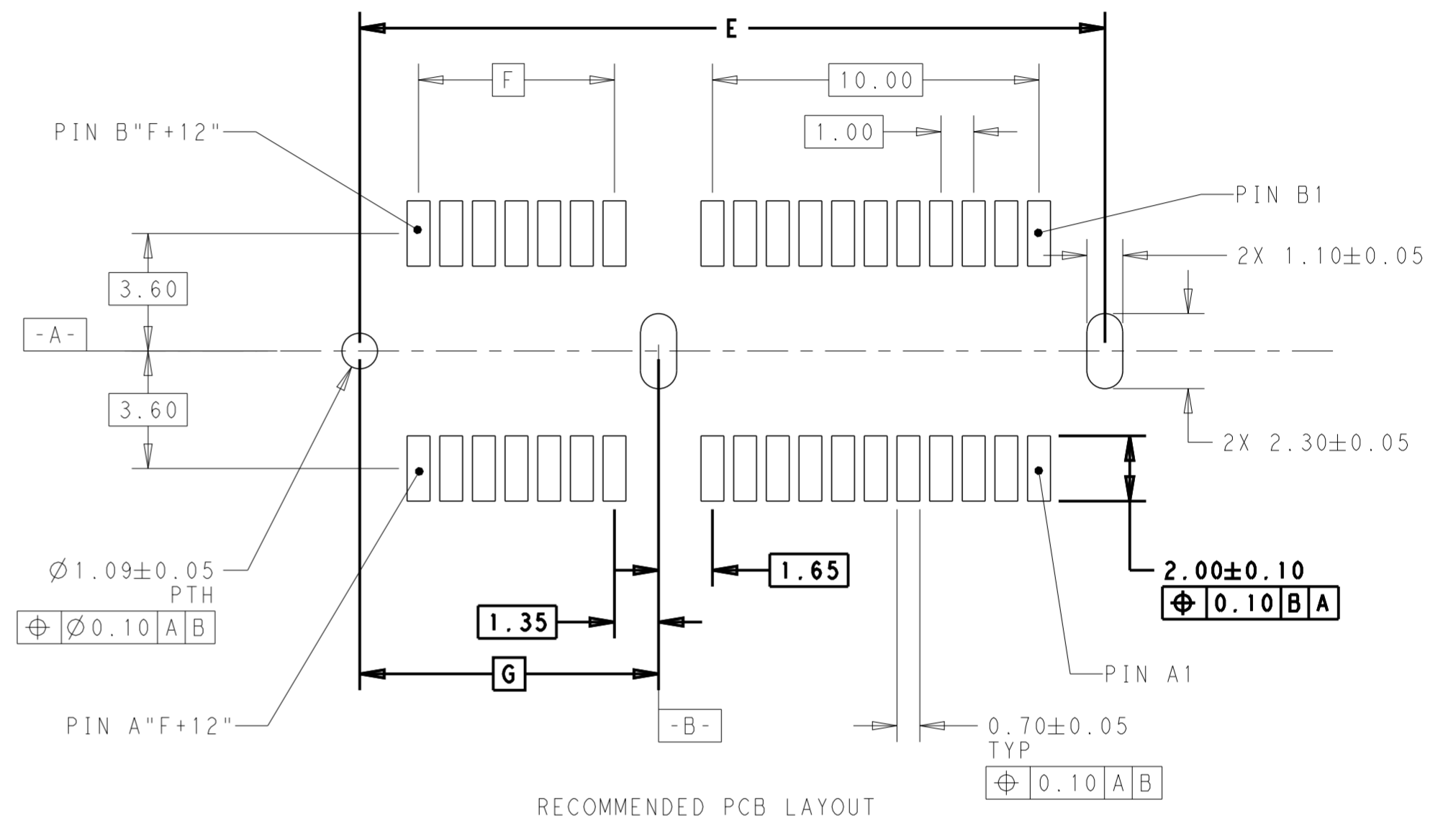
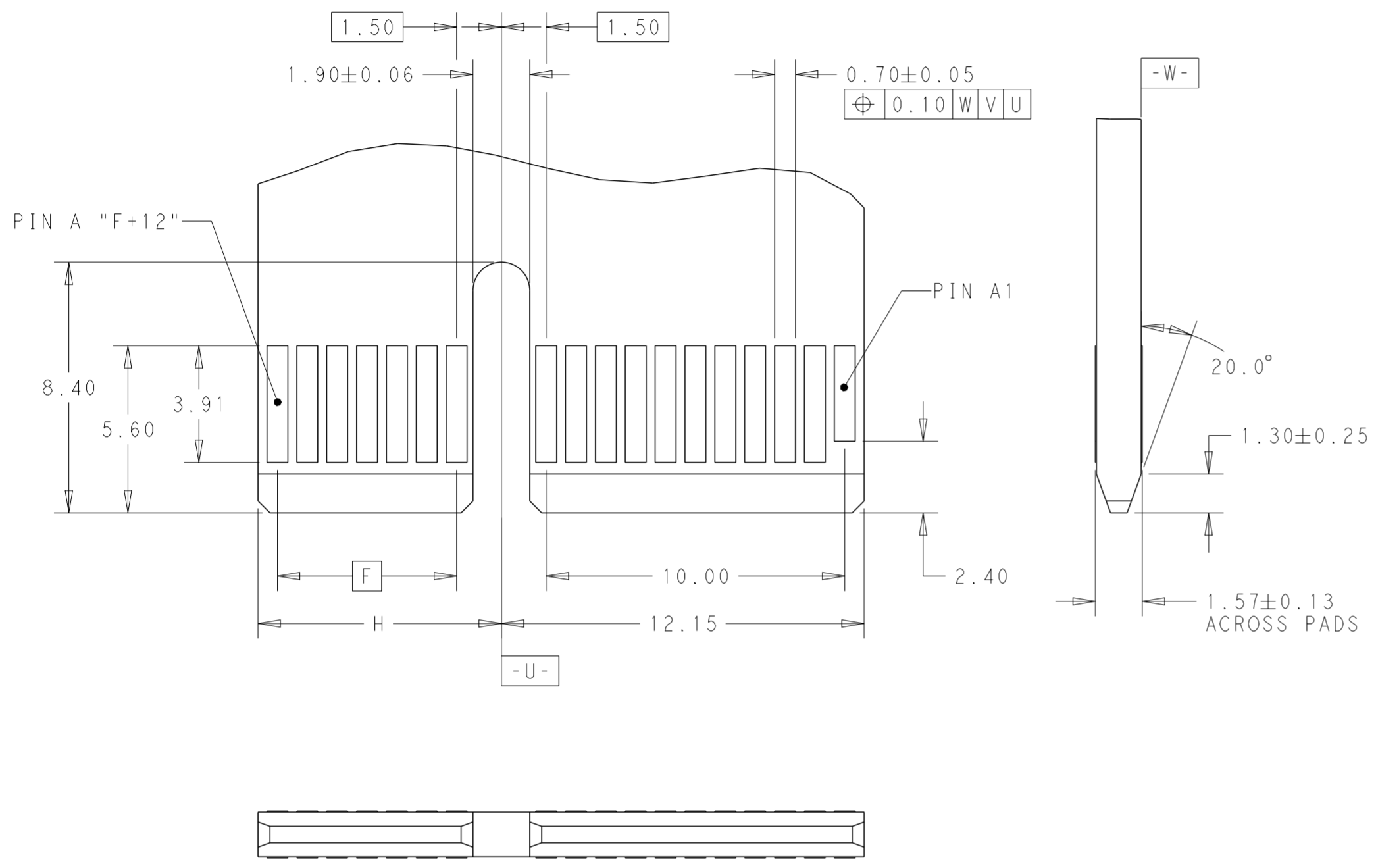
REVISIONS				
P	LTR	DESCRIPTION	DATE	APVD
-		SEE SHEET 1	-	-

PACKAGE	DESCRIPTION	W	V	J	N	C	B	A	POS.	PART NUMBER	
PACKAGE 1	108-60121	30u"	86.5	44.5	70	73.15	89	71.65	164	5-2354154-8	
PACKAGE 2	108-60121	30u"	53.5	28	37	40.15	56	38.65	98	5-2354154-7	
PACKAGE 3	108-60121	30u"	36.5	19.5	20	23.15	39	21.65	64	5-2354154-6	
TBD	108-60121	30u"	22.5	12.5	6	9.15	25	7.65	36	5-2354154-5	
PACKAGE 1	108-60121	30u"	10.0	44.5	70	73.15	89	71.65	164	5-2354154-4	
PACKAGE 2	108-60121	30u"	10.0	28	37	40.15	56	38.65	98	5-2354154-3	
PACKAGE 3	108-60121	30u"	10.0	19.5	20	23.15	39	21.65	64	5-2354154-2	
TBD	108-60121	30u"	10.0	12.5	6	9.15	25	7.65	36	5-2354154-1	
PACKAGE 1	108-60121-1	15u"	86.5	44.5	70	73.15	89	71.65	164	4-2354154-8	
PACKAGE 2	108-60121-1	15u"	53.5	28	37	40.15	56	38.65	98	4-2354154-7	
PACKAGE 3	108-60121-1	15u"	36.5	19.5	20	23.15	39	21.65	64	4-2354154-6	
TBD	108-60121-1	15u"	22.5	12.5	6	9.15	25	7.65	36	4-2354154-5	
PACKAGE 1	108-60121-1	15u"	10.0	44.5	70	73.15	89	71.65	164	4-2354154-4	
PACKAGE 2	108-60121-1	15u"	10.0	28	37	40.15	56	38.65	98	4-2354154-3	
PACKAGE 3	108-60121-1	15u"	10.0	19.5	20	23.15	39	21.65	64	4-2354154-2	
TBD	108-60121-1	15u"	10.0	12.5	6	9.15	25	7.65	36	4-2354154-1	
PACKAGE 1	108-60121-1	G/F	86.5	44.5	70	73.15	89	71.65	164	3-2354154-8	
PACKAGE 2	108-60121-1	G/F	53.5	28	37	40.15	56	38.65	98	3-2354154-7	
PACKAGE 3	108-60121-1	G/F	36.5	19.5	20	23.15	39	21.65	64	3-2354154-6	
TBD	108-60121-1	G/F	22.5	12.5	6	9.15	25	7.65	36	3-2354154-5	
PACKAGE 1	108-60121-1	G/F	10.0	44.5	70	73.15	89	71.65	164	3-2354154-4	
PACKAGE 2	108-60121-1	G/F	10.0	28	37	40.15	56	38.65	98	3-2354154-3	
PACKAGE 3	108-60121-1	G/F	10.0	19.5	20	23.15	39	21.65	64	3-2354154-2	
TBD	108-60121-1	G/F	10.0	12.5	6	9.15	25	7.65	36	3-2354154-1	
PACKAGE 1	108-60121	30u"	NA	44.5	70	73.15	89	71.65	164	2-2354154-4	
PACKAGE 2	108-60121	30u"	NA	28	37	40.15	56	38.65	98	2-2354154-3	
PACKAGE 3	108-60121	30u"	NA	19.5	20	23.15	39	21.65	64	2-2354154-2	
TBD	108-60121	30u"	NA	12.5	6	9.15	25	7.65	36	2-2354154-1	
PACKAGE 1	108-60121-1	15u"	NA	44.5	70	73.15	89	71.65	164	6-2354154-4	
PACKAGE 2	108-60121-1	15u"	NA	28	37	40.15	56	38.65	98	6-2354154-3	
PACKAGE 3	108-60121-1	15u"	NA	19.5	20	23.15	39	21.65	64	6-2354154-2	
TBD	108-60121-1	15u"	NA	12.5	6	9.15	25	7.65	36	6-2354154-1	
PACKAGE 1	108-60121-1	G/F	NA	44.5	70	73.15	89	71.65	164	2354154-4	
PACKAGE 2	108-60121-1	G/F	NA	28	37	40.15	56	38.65	98	2354154-3	
PACKAGE 3	108-60121-1	G/F	NA	19.5	20	23.15	39	21.65	64	2354154-2	
TBD	108-60121-1	G/F	NA	12.5	6	9.15	25	7.65	36	2354154-1	
PACKAGING SPEC	PRODUCT SPEC	GOLD PLATING	W	V	J	N	C	B	A	POS.	PART NUMBER
			MYLAR SIZE (PAGE 4)								

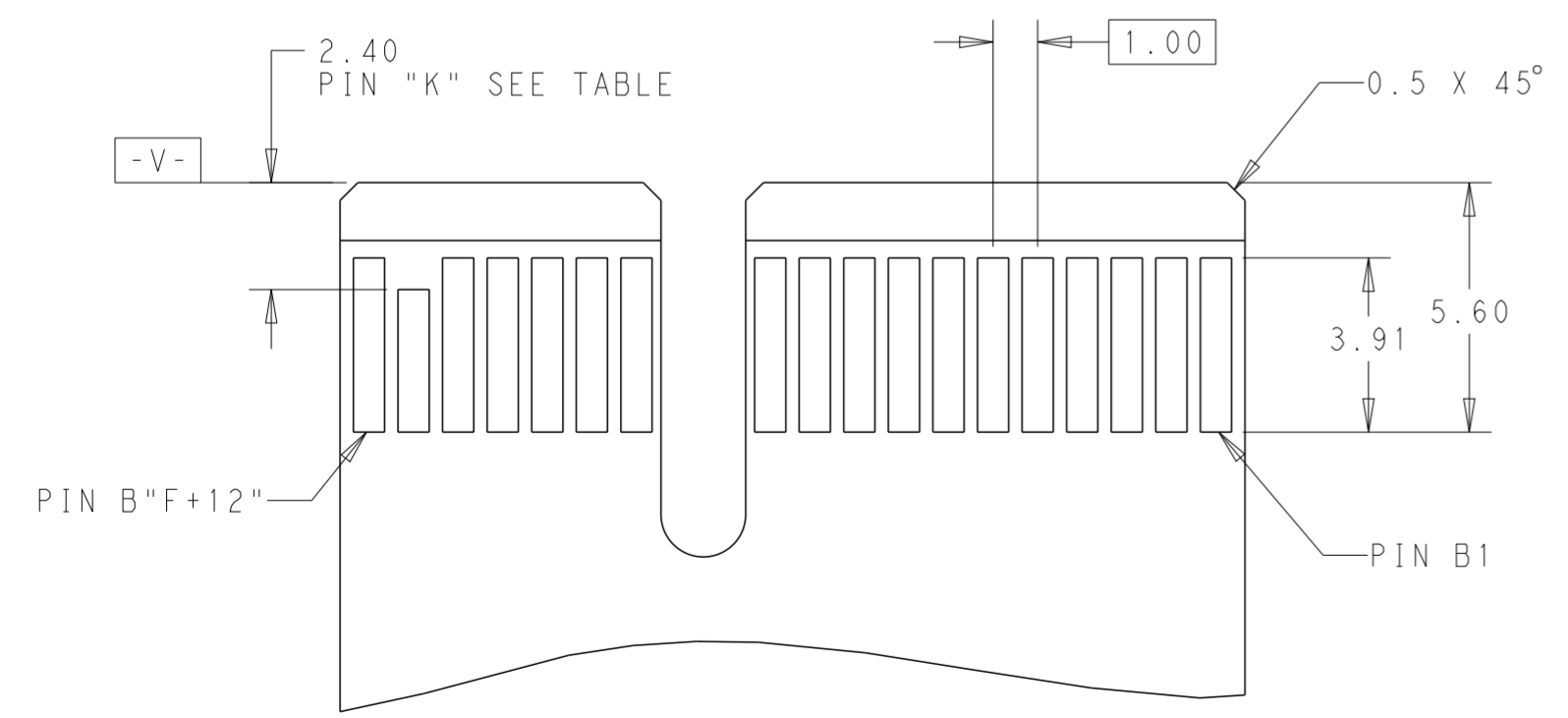
THIS DRAWING IS A CONTROLLED DOCUMENT.		DWN TONY LI 05NOV2019	 TE Connectivity		
DIMENSIONS: mm		CHK ALEX SHOAL 05NOV2019			
		APVD HOPE LU 05NOV2019	NAME PCI EXPRESS GEN4 CARD EDGE CONNECTOR SOLDER TAB		
TOLERANCES UNLESS OTHERWISE SPECIFIED: 0 PLC ± 1 PLC ±0.3 2 PLC ±0.20 3 PLC ±0.050 4 PLC ± ANGLES ± FINISH		PRODUCT SPEC APPLICATION SPEC	SIZE A200779	DRAWING NO C-2354154	RESTRICTED TO -
MATERIAL -		WEIGHT -	SCALE 3:1	SHEET 2 OF 5	REV C
CUSTOMER DRAWING					

THIS DRAWING IS UNPUBLISHED. RELEASED FOR PUBLICATION 20
 © COPYRIGHT 20 BY - ALL RIGHTS RESERVED.

REVISIONS					
P	LTR	DESCRIPTION	DATE	DWN	APVD
-	-	SEE SHEET 1	-	-	-



RECOMMENDED PCB LAYOUT



ADD-IN CARD EDGE-FINGER DIMENSION

POS.	DIM. E	DIM. F	DIM. G	DIM. H	"K"
164	86.82	70	73.15	72.15	A1, B17, B31, B48, B81
98	53.82	37	40.15	39.15	A1, B17, B31, B48
64	36.82	20	23.15	22.15	A1, B17, B31
36	22.82	6	9.15	8.15	A1, B17

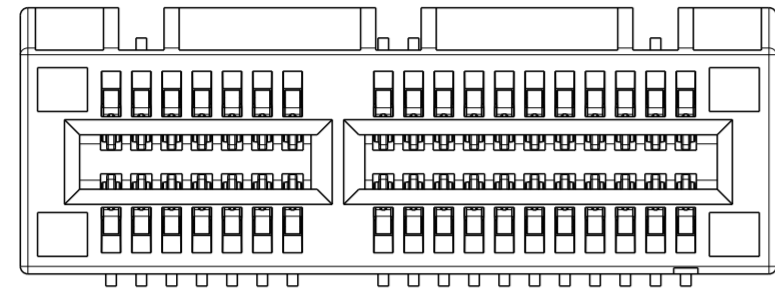
THIS DRAWING IS A CONTROLLED DOCUMENT.

DIMENSIONS: mm	TOLERANCES UNLESS OTHERWISE SPECIFIED: 0 PLC ± 1 PLC ±0.3 2 PLC ±0.20 3 PLC ±0.050 4 PLC ± ANGLES ± FINISH	DWN TONY LI 05NOV2019 CHK ALEX SHOAL 05NOV2019 APVD HOPE LU 05NOV2019	NAME PCI EXPRESS GEN4 CARD EDGE CONNECTOR SOLDER TAB
MATERIAL		PRODUCT SPEC	SIZE CAGE CODE DRAWING NO RESTRICTED TO
		APPLICATION SPEC	A200779 C-2354154
		WEIGHT	SCALE 3:1 SHEET 3 OF 5 REV C
		CUSTOMER DRAWING	

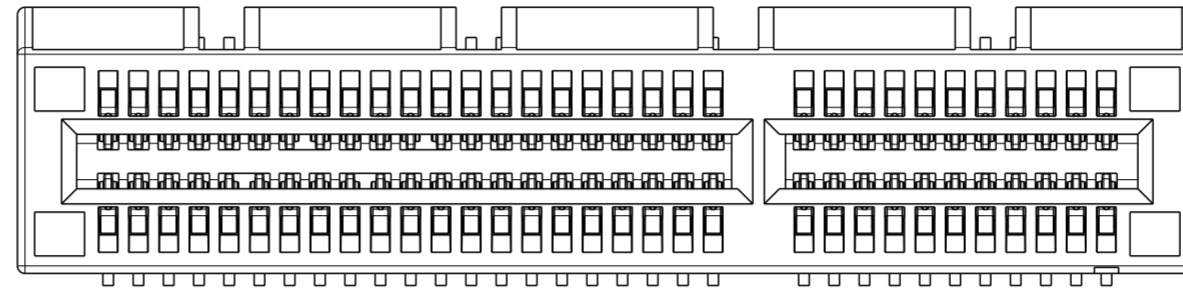
STE TE Connectivity

THIS DRAWING IS UNPUBLISHED. RELEASED FOR PUBLICATION 20
 © COPYRIGHT 20 BY - ALL RIGHTS RESERVED.

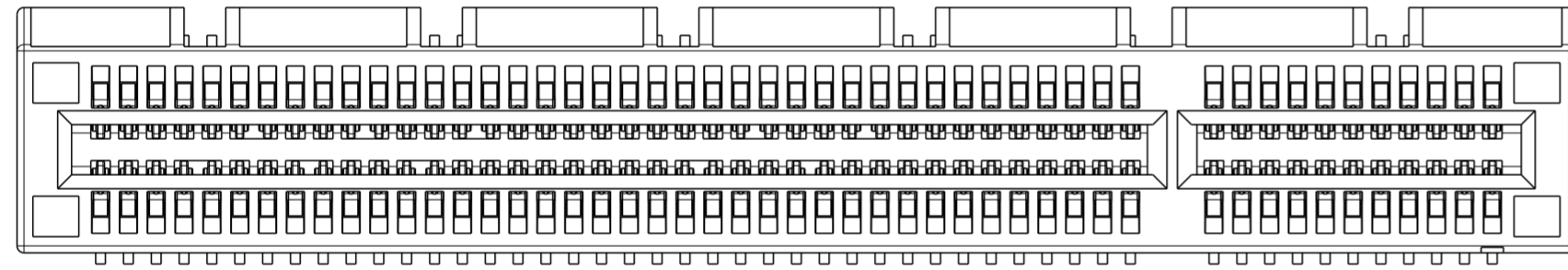
REVISIONS					
P	LTR	DESCRIPTION	DATE	DWN	APVD
-	-	SEE SHEET 1	-	-	-



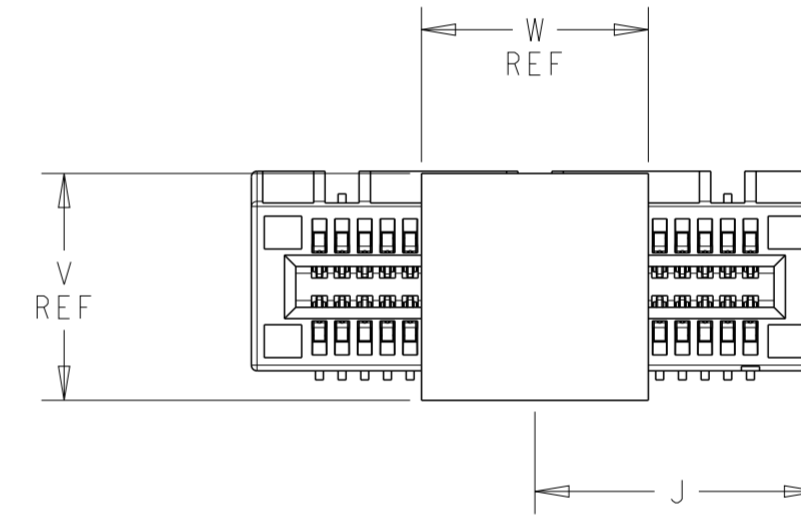
36POS AS SHOWN



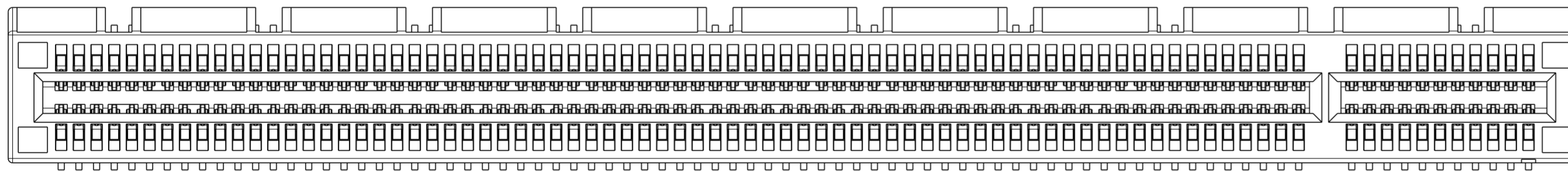
64POS AS SHOWN




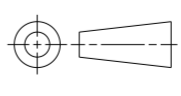
98POS AS SHOWN



MYLAR SIZE

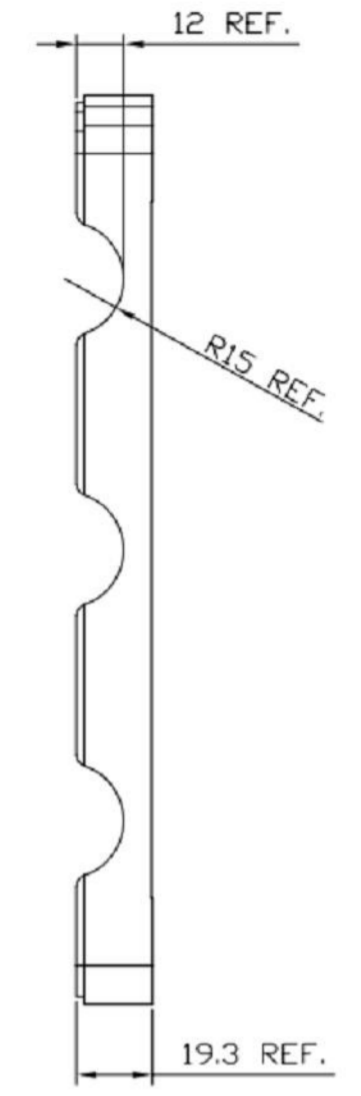
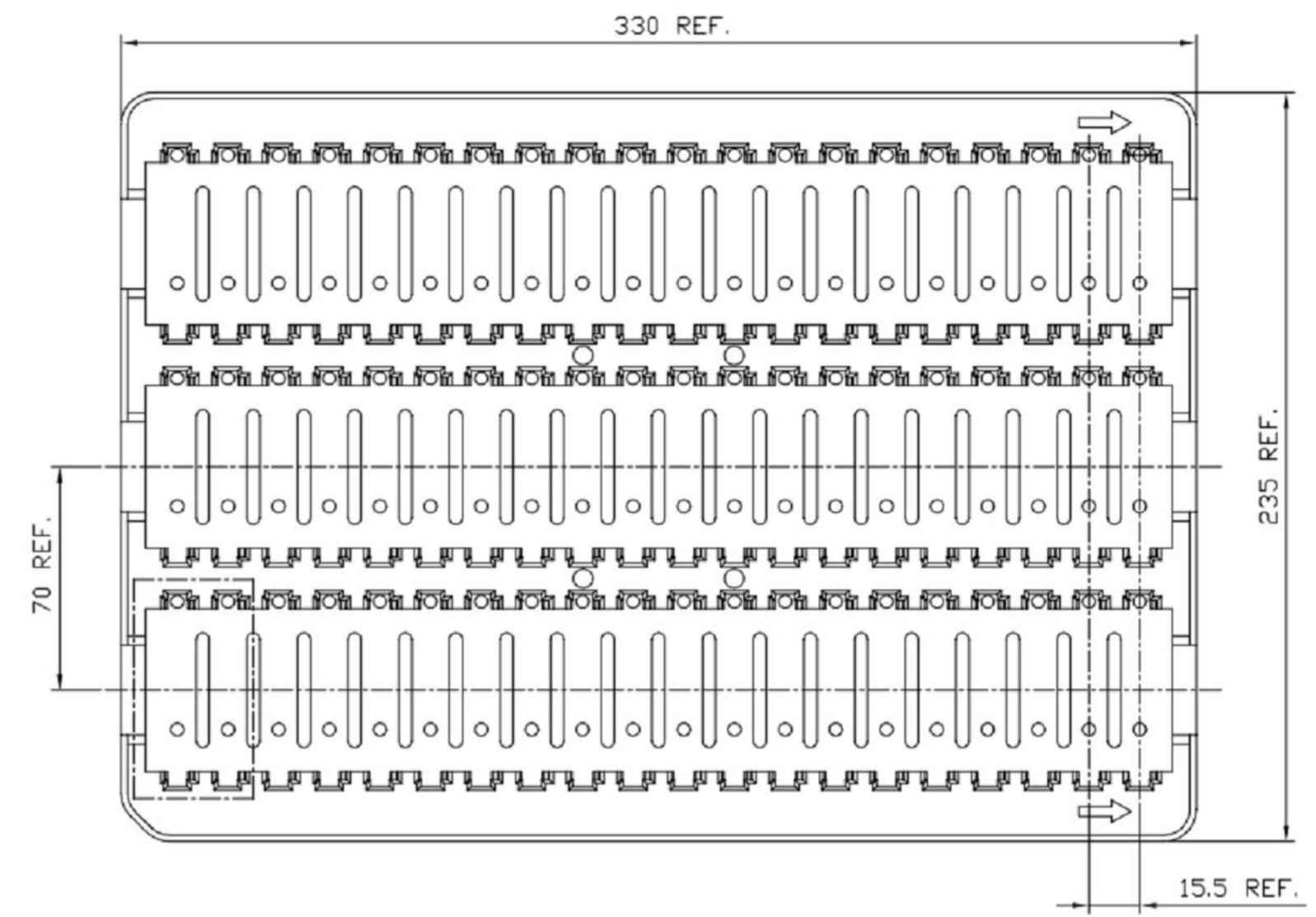
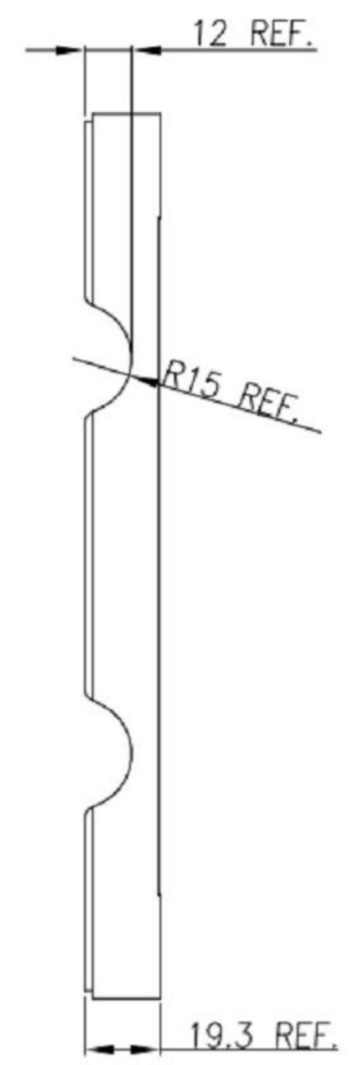
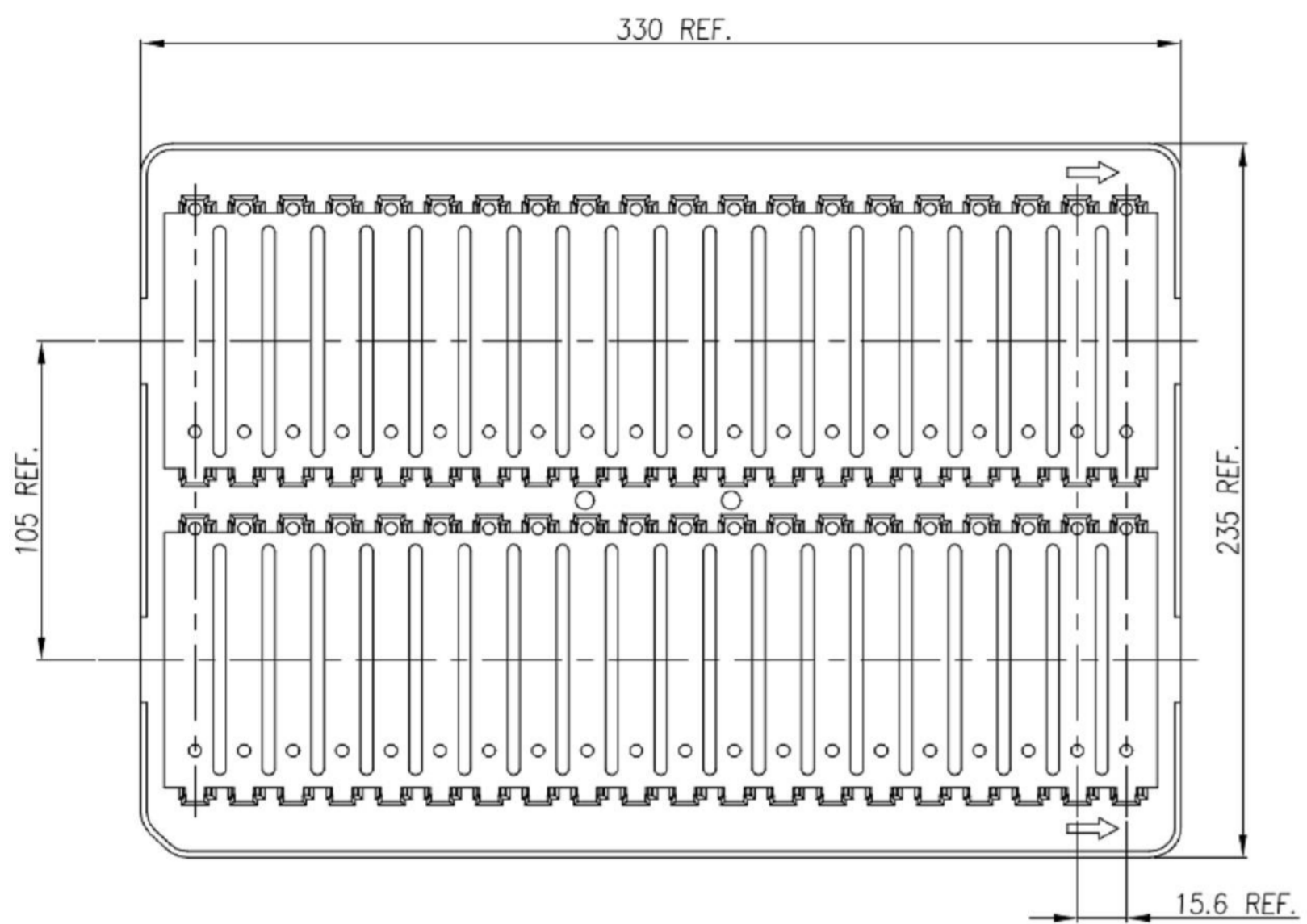


164POS AS SHOWN

THIS DRAWING IS A CONTROLLED DOCUMENT.		DWN TONY LI 05NOV2019	 TE Connectivity			
DIMENSIONS: mm		CHK ALEX SHOAL 05NOV2019				
		APVD HOPE LU 05NOV2019	NAME PCI EXPRESS GEN4 CARD EDGE CONNECTOR SOLDER TAB			
TOLERANCES UNLESS OTHERWISE SPECIFIED:		PRODUCT SPEC	SIZE	CAGE CODE	DRAWING NO	RESTRICTED TO
0 PLC ±		APPLICATION SPEC	A2	00779	C-2354154	-
1 PLC ±0.3		WEIGHT	SCALE 3:1			SHEET 4 OF 5
2 PLC ±0.20		CUSTOMER DRAWING	REV C			
3 PLC ±0.050						
4 PLC ±						
ANGLES ±						
FINISH ±						
MATERIAL						
-						
-						

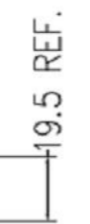
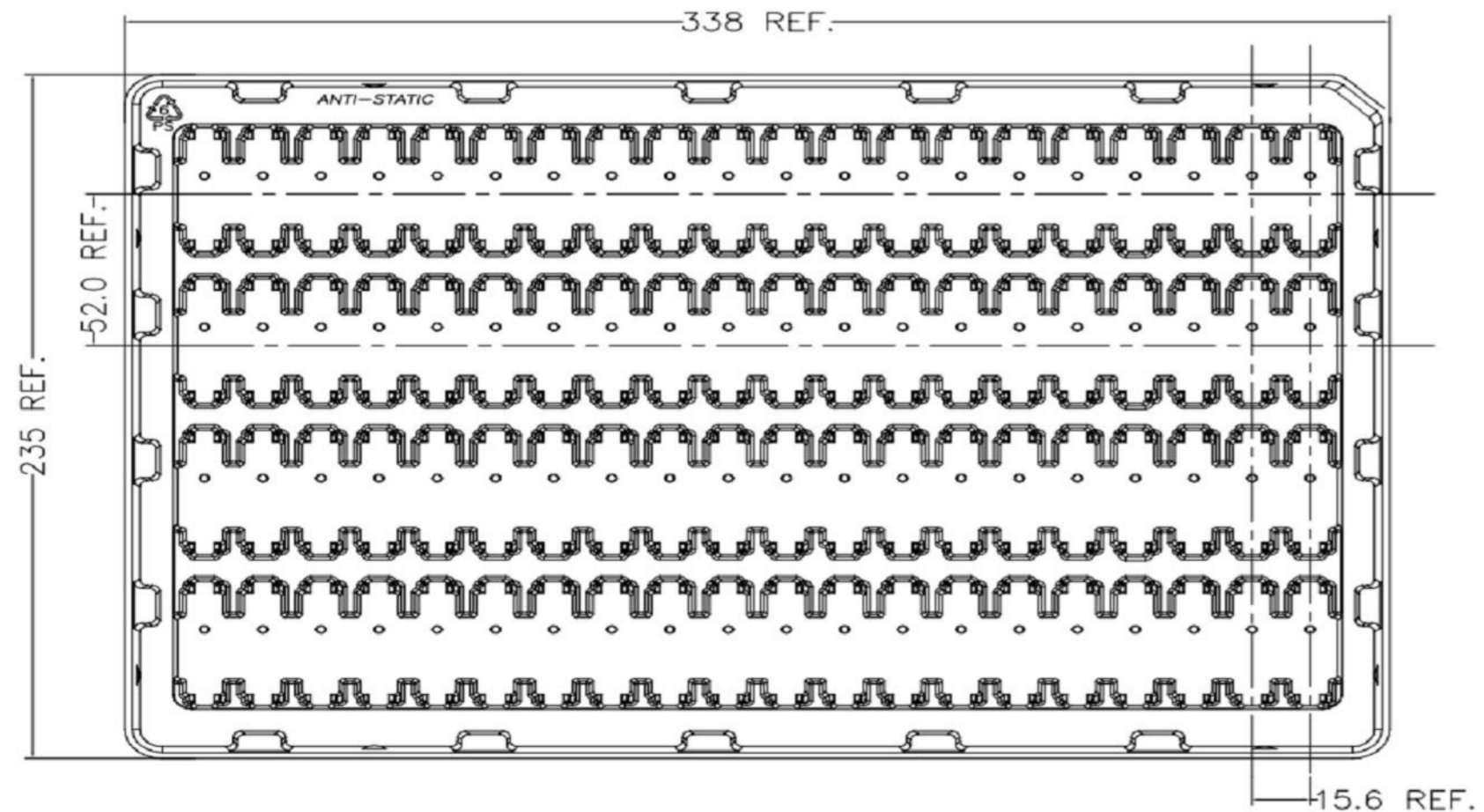
THIS DRAWING IS UNPUBLISHED. RELEASED FOR PUBLICATION 20
 © COPYRIGHT 20 BY - ALL RIGHTS RESERVED.

REVISIONS				
P	LTR	DESCRIPTION	DATE	APVD
-	-	SEE SHEET 1	-	-




PACKAGE 1

PACKAGE 2



PACKAGE 3

THIS DRAWING IS A CONTROLLED DOCUMENT.		DWN TONY LI 05NOV2019	 TE Connectivity	
DIMENSIONS: mm		CHK ALEX SHOAL 05NOV2019		
TOLERANCES UNLESS OTHERWISE SPECIFIED:		APVD HOPE LU 05NOV2019	NAME PCI EXPRESS GEN4 CARD EDGE CONNECTOR SOLDER TAB	
0 PLC ± 1 PLC ±0.3 2 PLC ±0.20 3 PLC ±0.050 4 PLC ± ANGLES ± FINISH ±		PRODUCT SPEC -	SIZE A200779	CAGE CODE C-2354154
MATERIAL -		APPLICATION SPEC -	DRAWING NO C-2354154	RESTRICTED TO -
-		WEIGHT -	SCALE 3:1	SHEET 5 OF 5
-		CUSTOMER DRAWING	REV C	