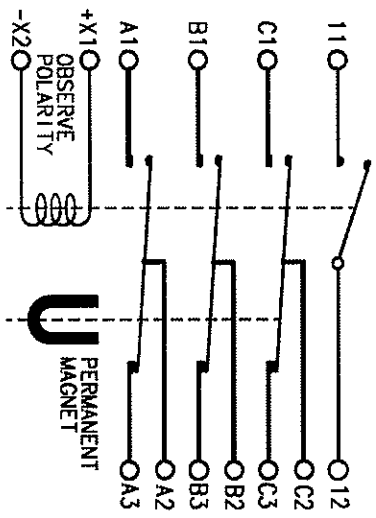
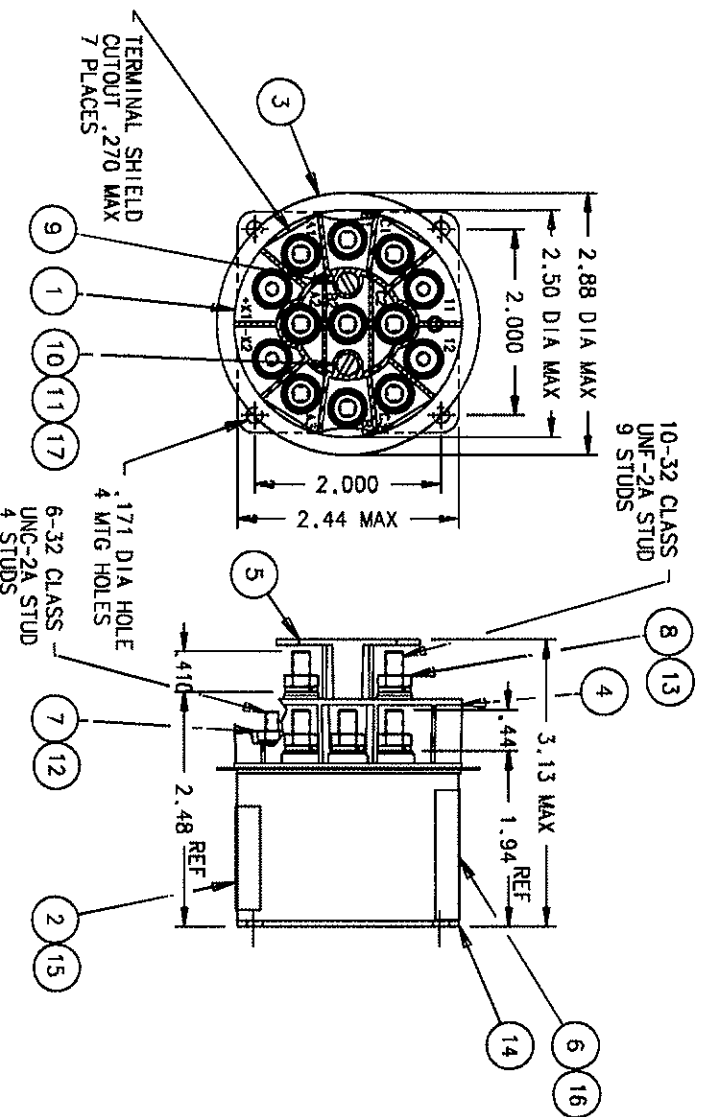


REV.	DESCRIPTION	DATE	APPROVED
T	41113 REDRAWN, FIND NOS 15, 16, & 17 ADDED	99/11/16	RS
U	42196 FIND 11 WAS 51805-011	00/04/12	RS
V	0862-03 .410 DIA WAS .438	03/07/31	RS



NOTE:  
TERMINAL SHIELD IS NOTCHED FOR DRAINAGE

CONSTRUCTION  
HERMETICALLY SEALED  
NOMINAL VOLTAGE 115/200 V, 400HZ  
CONTACT RATING 50 AMP, 115 V, 400 HZ  
COIL RATING 28 VDC  
PICKUP 18 V MAX HOT  
DROPOUT 1-7 V MAX HOT  
PICKUP TIME 50 MS MAX AT 28 V  
DROPOUT TIME 50 MS MAX AT 28 V  
BOUNCE 5 MS MAX  
RATED DUTY CONTINUOUS  
VIBRATION PROC 1, MIL-E-5272  
AUX CONTACT SPST NO  
AUX CONTACT RATING 5 AMP, 28 VDC OR 115 V, 400 HZ  
MAX WEIGHT .89 LBS  
AMBIENT TEMP -65°F TO 165°F

NOTE:  
TERMINAL INSTALLATION TORQUE: 8-32 6-8 IN/LBS  
10-32 15-20 IN/LBS

FIND NO	QTY	PART OR IDENTIFYING NO	DESCRIPTION	FORM NO	DRAWING OR SPECIFICATION	MATERIAL OR NOTE
17	2	51701-180	WASHER - 3/16 X .103 X .015 FLAT			MYLAR
16	1	39529-038	OVERLAY WIRING PLATE			
15	1	19888-010	CONTACTOR ASSEMBLY - PRIMARY			BRONZE
14	1	51810-054	WASHER - #10 SPLIT TYPE LOCK			BRONZE
13	4	51806-014	WASHER - #6 SPLIT TYPE LOCK			BRONZE
12	2	51805-014	WASHER - #5 SPLIT TYPE LOCK			BRASS
11	1	51205-391	SCREW - 5-40 X 1 1/8 RD. HD.			BRASS
10	1	51205-391	SCREW - 5-40 X 3/8 RD. HD.			BRASS
9	1	50410-054	NUT - #10-32 X 5/16 X 9/64			BRASS
8	4	50406-034	NUT - #6-32 X 1/4 X 5/64			BRASS
7	4	19203-001	PLATE - WIRING DIAGRAM			
6	1	17062-001	SHIELD - TERMINAL ZYTEL 51			
5	1	17061-001	SHIELD - TERMINAL ZYTEL 51			
4	1	17002-001	PLATE - SHIELD			
3	1	16043-001	PLATE - NAME			
2	1	15537-015	PLATE - BASE COVER			
1	1					

UNLESS OTHERWISE SPECIFIED DIMENSIONS ARE IN INCHES	
2 PL DEC.13 PL DEC.1 ANGLES	*.030 ±.010 * 1*
REF	
GAGC GR-835EA	
NORTHRUP 64R100-1	
DR BY CSC 103/08/19	
CHK BY	
ENGR	
MFG	
SIZE	
CODE IDENT	
C	74063
SCALE	NONE SHEET
TYCO Electronics 175 N. DIAMOND STREET WASHINGTON, OHIO 44022	
CONTACTOR - 3PDT HERMETICALLY SEALED 093	
DH-7BB	
REF TYCO P/N 0-1616037-7	