



ADS1201

## High Dynamic Range DELTA-SIGMA MODULATOR

### FEATURES

- 130dB DYNAMIC RANGE
- FULLY DIFFERENTIAL INPUT
- TWO-WIRE INTERFACE
- INTERNAL/EXTERNAL REFERENCE
- ON-CHIP SWITCHES FOR CALIBRATION

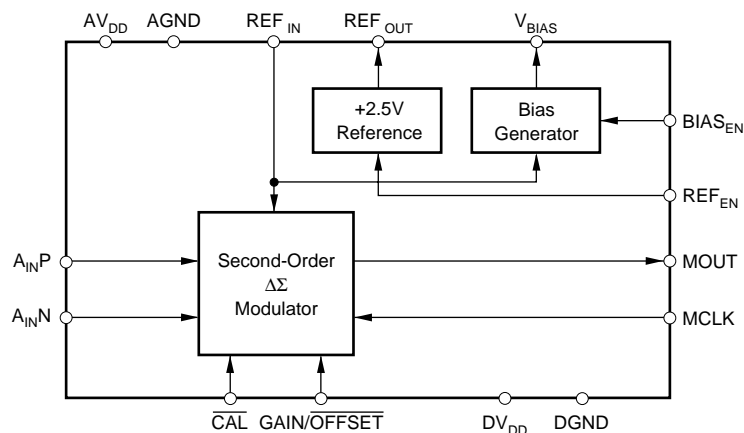
### APPLICATIONS

- INDUSTRIAL PROCESS CONTROL
- INSTRUMENTATION
- SMART TRANSMITTERS
- PORTABLE INSTRUMENTS
- WEIGH SCALES
- PRESSURE TRANSDUCERS

### DESCRIPTION

The ADS1201 is a precision, 130dB dynamic range, delta-sigma ( $\Delta\Sigma$ ) modulator operating from a single +5V supply. The differential inputs are ideal for direct connection to transducers or low level signals. With the appropriate digital filter and modulator rate, the device can be used to achieve 24-bit analog-to-digital (A/D) conversion with no missing codes. Effective resolution of 20 bits can be maintained with a digital filter bandwidth of 1kHz at a modulator rate of 320kHz.

The ADS1201 is designed for use in high resolution measurement applications including smart transmitters, industrial process control, weigh scales, chromatography, and portable instrumentation. It is available in a 16-lead SOIC package.



International Airport Industrial Park • Mailing Address: PO Box 11400, Tucson, AZ 85734 • Street Address: 6730 S. Tucson Blvd., Tucson, AZ 85706 • Tel: (520) 746-1111  
Twx: 910-952-1111 • Internet: <http://www.burr-brown.com/> • Cable: BBRCORP • Telex: 066-6491 • FAX: (520) 889-1510 • Immediate Product Info: (800) 548-6132

# SPECIFICATIONS

At  $T_A = +25^\circ\text{C}$ ,  $AV_{DD} = DV_{DD} = +5\text{V}$ ,  $MCLK = 320\text{kHz}$ ,  $REF_{EN}$  LOW,  $BIAS_{EN}$  LOW, and external  $+2.5\text{V}$  reference, unless otherwise specified.

PARAMETER	CONDITIONS	ADS1201U			UNITS
		MIN	TYP	MAX	
<b>ANALOG INPUT</b>					
Absolute Input Voltage Range	With $V_{BIAS}^{(1)}$	0 -10		+5 +10	V V
Differential Input Voltage Range	With $V_{BIAS}^{(1)}$	-5 -20	See Note 2	+5 +20	V V
Input Impedance			250 <sup>(4)</sup>		k $\Omega$
Input Capacitance			8		pF
Input Leakage Current	At $T_{MIN}$ to $T_{MAX}$		5	50	pA
				1	nA
<b>SYSTEM PERFORMANCE</b>					
Dynamic Range	10Hz Bandwidth <sup>(5)</sup> 60Hz Bandwidth <sup>(5)</sup> 1kHz Bandwidth <sup>(5)</sup>	115 <sup>(6)</sup>	130 <sup>(6)</sup> 120 <sup>(6)</sup> 115 <sup>(6)</sup>		dB dB dB
Integral Linearity Error	60Hz Bandwidth <sup>(5)</sup> 1kHz Bandwidth <sup>(5)</sup>			$\pm 0.0015$ $\pm 0.0015$	%FSR %FSR
Offset Error <sup>(2)</sup>			See Note 7		$\mu\text{V}$
Offset Drift <sup>(3)</sup>			1		$\mu\text{V}/^\circ\text{C}$
Gain Error <sup>(2)</sup>			See Note 7		ppm
Gain Error Drift <sup>(3)</sup>			1		$\mu\text{V}/^\circ\text{C}$
Common-Mode Rejection	At DC	80	100		dB
Power Supply Rejection			80		dB
<b>REFERENCE</b>					
Internal Reference ( $REF_{OUT}$ )		2.4	2.5	2.6	V
Drift			25		ppm/ $^\circ\text{C}$
Noise			50		$\mu\text{Vp-p}$
Load Current	Source or Sink	-1		1	mA
Output Impedance			2		$\Omega$
External Reference ( $REF_{IN}$ )		2.0		3.0	V
Load Current				2.5	$\mu\text{A}$
$V_{BIAS}$ Output	Using Internal Reference	3.15	3.3	3.45	V
Drift			50		ppm/ $^\circ\text{C}$
Load Current				10	mA
<b>DIGITAL INPUT/OUTPUT</b>					
Logic Family		TTL Compatible CMOS			
Logic Levels:					
$V_{IH}$ (MCLK)	$I_{IH} = +5\mu\text{A}$	2.0		$DV_{DD} + 0.3$	V
$V_{IL}$ (MCLK)	$I_{IL} = +5\mu\text{A}$	-0.3		0.8	V
$V_{OH}$ (MOUT)	$I_{OH} = 2$ TTL Loads	2.4			V
$V_{OL}$ (MOUT)	$I_{OL} = 2$ TTL Loads			0.4	V
MCLK Frequency		0.02		1	MHz
<b>POWER SUPPLY REQUIREMENTS</b>					
Power Supply Voltage	Specified Performance	4.75		5.25	V
Supply Current					
Analog Current			4.6		mA
Digital Current			0.4		mA
Additional Analog Current					
$REF_{OUT}$ Enabled	No Load		1.6		mA
$V_{BIAS}$ Enabled	No Load		1		mA
Total Power Dissipation	$REF_{OUT}$ , $V_{BIAS}$ Disabled		25	40	mW
<b>TEMPERATURE RANGE</b>					
Specified Performance		-40		+85	$^\circ\text{C}$

NOTES: (1) This range is set with external resistors and  $V_{BIAS}$  (as described in the text). Other ranges are possible. (2) After the on-chip offset and gain calibration functions have been employed. (3) Re-calibration can reduce these errors. (4) Input impedance changes with MCLK. (5) Assume brick wall digital filter is used. (6) 20 Log (full scale/rms noise). (7) After calibration, these errors will be of the order of the effective resolution.

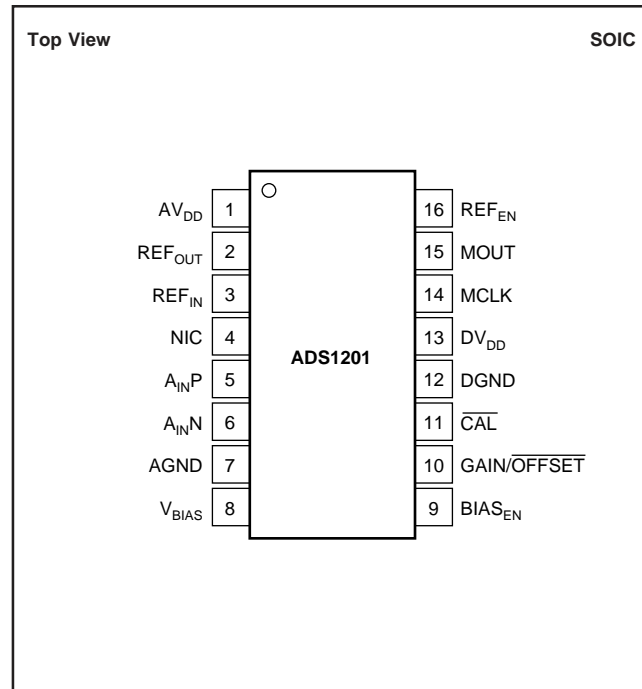
The information provided herein is believed to be reliable; however, BURR-BROWN assumes no responsibility for inaccuracies or omissions. BURR-BROWN assumes no responsibility for the use of this information, and all use of such information shall be entirely at the user's own risk. Prices and specifications are subject to change without notice. No patent rights or licenses to any of the circuits described herein are implied or granted to any third party. BURR-BROWN does not authorize or warrant any BURR-BROWN product for use in life support devices and/or systems.

## ABSOLUTE MAXIMUM RATINGS

Analog Input: Current .....	±100mA, Momentary ±10mA, Continuous
Voltage .....	AGND -0.3V to AV <sub>DD</sub> +0.3V
AV <sub>DD</sub> to DV <sub>DD</sub> .....	-0.3V to 6V
AV <sub>DD</sub> to AGND .....	-0.3V to 6V
DV <sub>DD</sub> to DGND .....	-0.3V to 6V
AGND to DGND .....	±0.3V
REF <sub>IN</sub> Voltage to AGND .....	-0.3V to AV <sub>DD</sub> +0.3V
Digital Input Voltage to DGND .....	-0.3V to DV <sub>DD</sub> +0.3V
Digital Output Voltage to DGND .....	-0.3V to DV <sub>DD</sub> +0.3V
Lead Temperature (soldering, 10s) .....	+300°C
Internal Power Dissipation .....	500mW

NOTE: (1) Stresses above those listed under "Absolute Maximum Ratings" may cause permanent damage to the device. Exposure to absolute maximum conditions for extended periods may affect device reliability.

## PIN CONFIGURATION



## ELECTROSTATIC DISCHARGE SENSITIVITY

This integrated circuit can be damaged by ESD. Burr-Brown recommends that all integrated circuits be handled with appropriate precautions. Failure to observe proper handling and installation procedures can cause damage.

ESD damage can range from subtle performance degradation to complete device failure. Precision integrated circuits may be more susceptible to damage because very small parametric changes could cause the device not to meet its published specifications.

## PIN DESCRIPTIONS

PIN NO	NAME	DESCRIPTION
1	AV <sub>DD</sub>	Analog Input: Analog Supply, +5V nominal.
2	REF <sub>OUT</sub>	Analog Output: Internal Reference Voltage Output: +2.5V nominal.
3	REF <sub>IN</sub>	Analog Input: Reference Voltage Input.
4	NIC	Not Internally Connected.
5	A <sub>IN</sub> P	Analog Input: Noninverting Input.
6	A <sub>IN</sub> N	Analog Input: Inverting Input.
7	AGND	Analog Input: Analog Ground.
8	V <sub>BIAS</sub>	Analog Output: Bias Voltage Output, nominally +3.3V (with +2.5V reference).
9	BIAS <sub>EN</sub>	Digital Input: Bias Voltage Enable Input (HIGH = enabled, LOW = disabled).
10	GAIN/OFFSET	Digital Input: Gain/Offset Calibration Select Input (with CAL LOW; HIGH = gain configuration, LOW = offset configuration).
11	CAL	Digital Input: Calibration Control Input (HIGH = normal operation, LOW = gain or offset calibration configuration).
12	DGND	Digital Input: Digital Ground.
13	DV <sub>DD</sub>	Digital Input: Digital Supply, +5V nominal.
14	MCLK	Digital Input: Modulator Clock Input. CMOS compatible.
15	MOUT	Digital Output: Modulator Output.
16	REF <sub>EN</sub>	Digital Input: REF <sub>OUT</sub> Voltage Enable Input (HIGH = enabled, LOW = disabled).

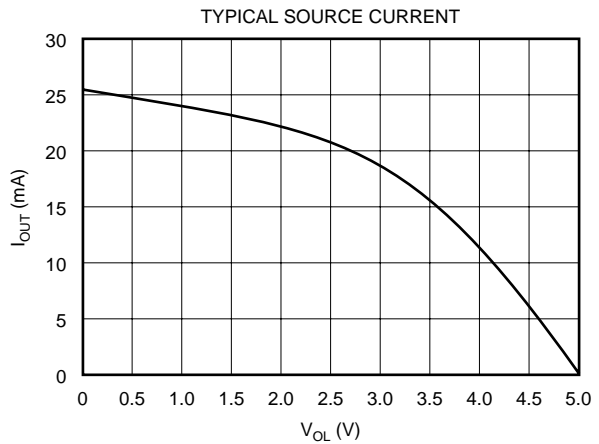
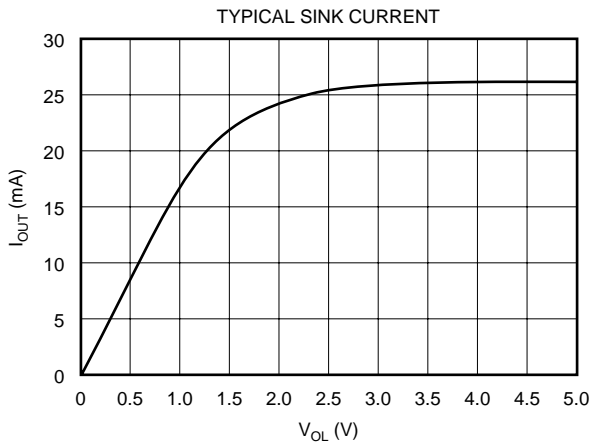
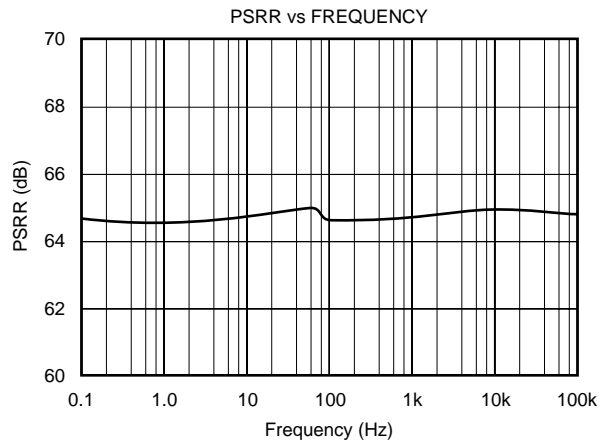
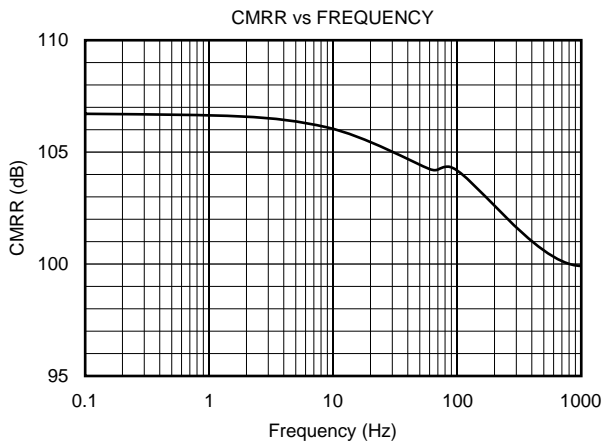
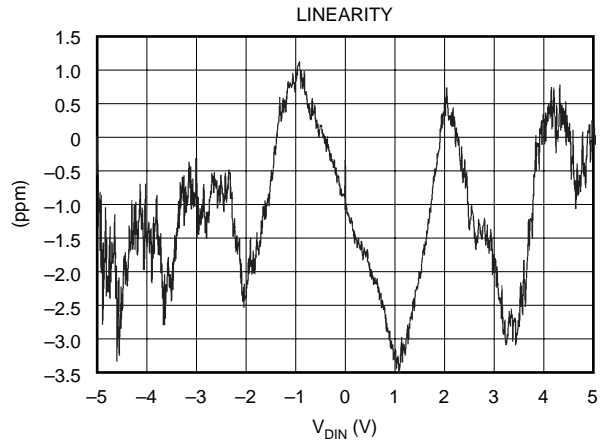
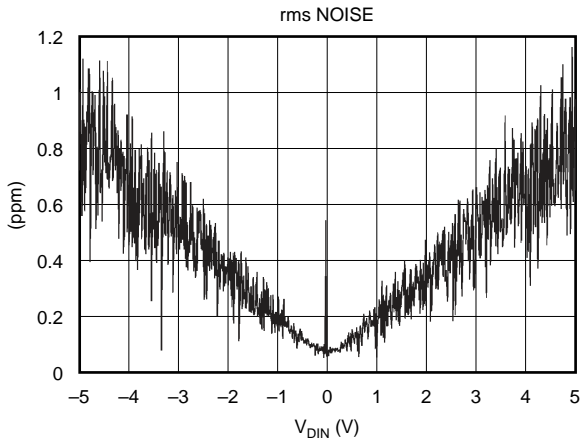
## PACKAGE/ORDERING INFORMATION

PRODUCT	PACKAGE	PACKAGE DRAWING NUMBER	SPECIFIED TEMPERATURE RANGE	PACKAGE MARKING	ORDERING NUMBER <sup>(1)</sup>	TRANSPORT MEDIA
ADS1201U	SOL-16	211	-40°C to +85°C	ADS1201U	ADS1201U	Rails
"	"	"	"	"	ADS1201U/1K	Tape and Reel

NOTE: (1) Models with a slash (/) are available only in Tape and Reel in the quantities indicated (e.g., /1K indicates 1000 devices per reel). Ordering 1000 pieces of "ADS1201U/1K" will get a single 1000-piece Tape and Reel.

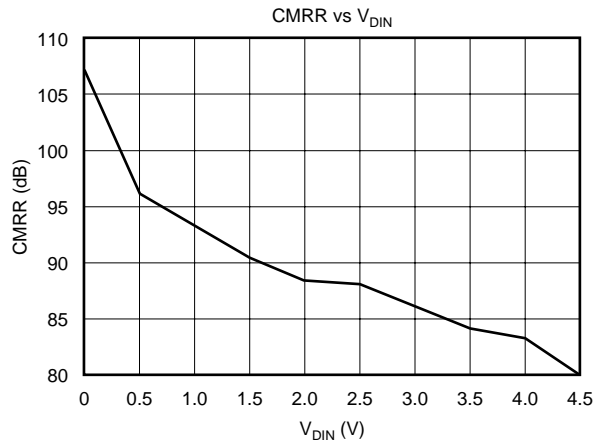
# TYPICAL PERFORMANCE CURVES

At  $T_A = +25^\circ\text{C}$ ,  $AV_{DD} = DV_{DD} = +5\text{V}$ ,  $MCLK = 320\text{kHz}$ ,  $REF_{EN}$  LOW,  $BIAS_{EN}$  LOW, and external  $+2.5\text{V}$  reference, unless otherwise specified.



# TYPICAL PERFORMANCE CURVES (Cont.)

At  $T_A = +25^\circ\text{C}$ ,  $AV_{DD} = DV_{DD} = +5\text{V}$ ,  $MCLK = 320\text{kHz}$ ,  $REF_{EN}$  LOW,  $BIAS_{EN}$  LOW, and external  $+2.5\text{V}$  reference, unless otherwise specified.



## GENERAL DESCRIPTION

The ADS1201 is a single channel, second-order, CMOS analog modulator designed for high resolution conversions from dc to 1000Hz. The output of the converter (MOUT) provides a stream of digital ones and zeros. The time average of this serial output is proportional to the analog input voltage. The combination of an ADS1201 and a processor that is programmed to implement a digital filter results in a high resolution A/D converter system. This system allows flexibility with the digital filter design and is capable of A/D conversion results that have a dynamic range that exceeds 130dB (see Figure 1).

## THEORY OF OPERATION

The differential analog input of the ADS1201 is implemented with a switched capacitor circuit. This switched capacitor circuit implements a 2nd-order modulator stage which digitizes the input signal into a binary output stream. The input stage of the converter can be configured to sample an analog signal or to perform a calibration which quantifies offset and gain errors. The sample clock (MCLK) provides the switched capacitor network and modulator clock signal for the A/D conversion process, as well as the output data framing clock. Different frequencies for this clock allows for a variety of performance solutions in resolution and signal bandwidth. The analog input signal is continuously sampled by the A/D converter and compared to an internal or external voltage reference. A digital stream appears at the output of the converter. This digital stream accurately represents the analog input voltage over time.

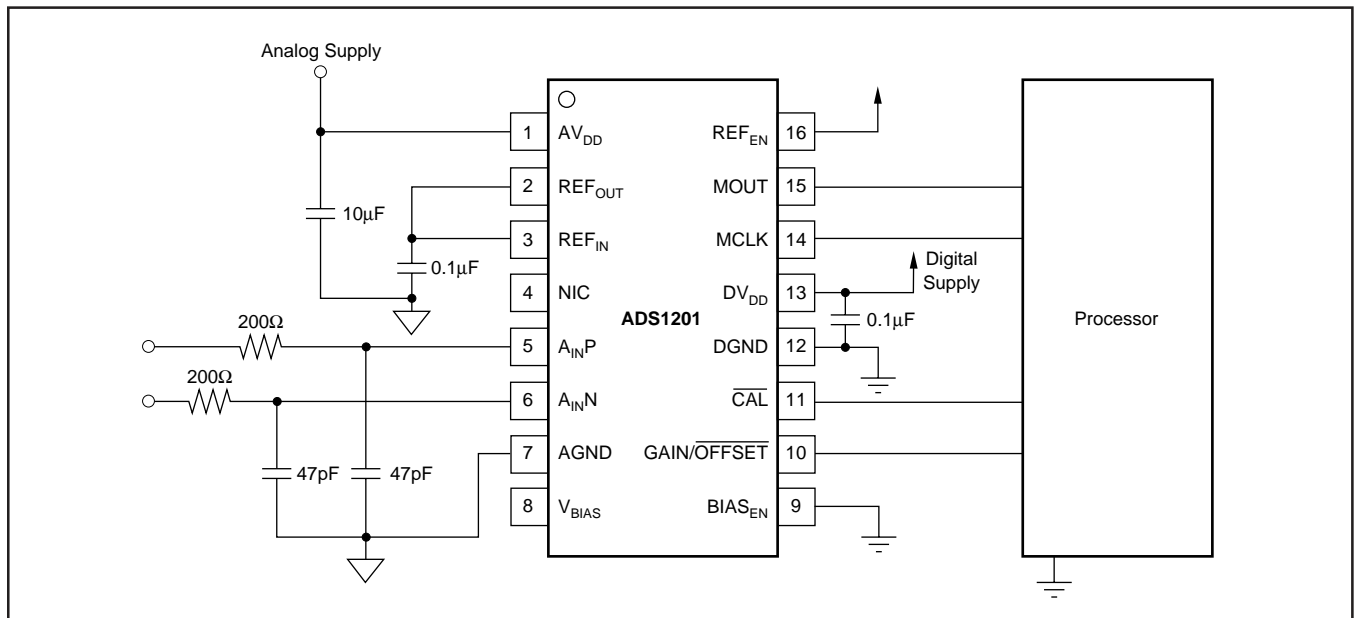


FIGURE 1. Connection Diagram for the ADS1201 Delta-Sigma Modulator Including External Processor.

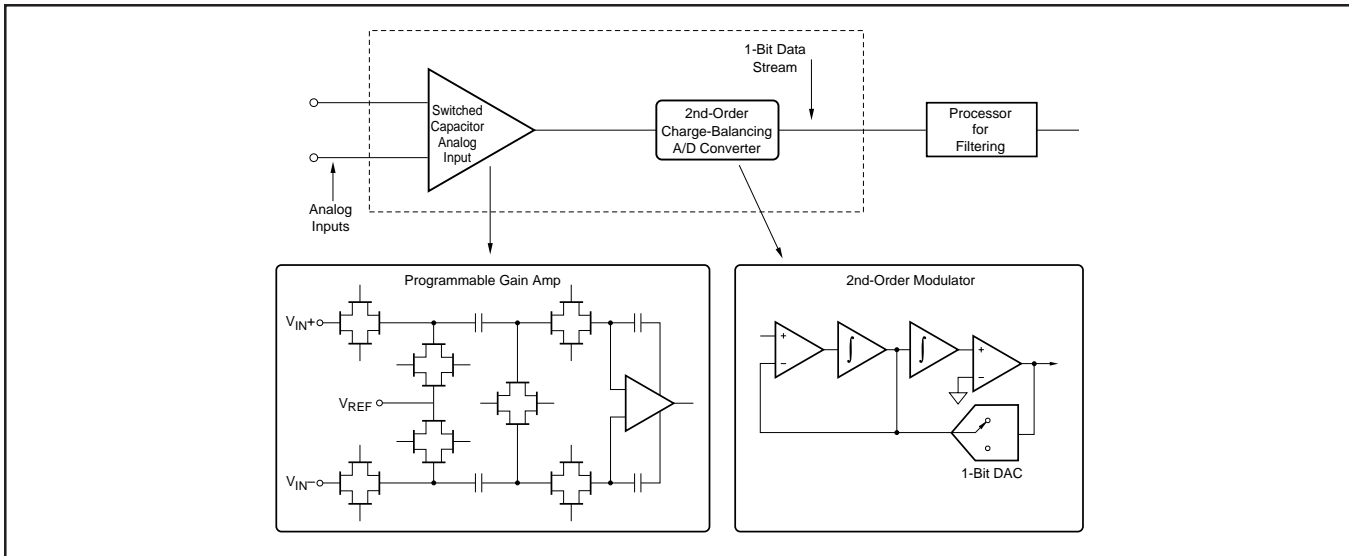


FIGURE 2. Block Diagram of the ADS1201.

## ANALOG INPUT STAGE

### Analog Input

The input design topology of the ADS1201 is based on a fully differential switched capacitor architecture. This input stage provides the mechanism to achieve low system noise, high common-mode rejection (100dB) and excellent power supply rejection. The input impedance of the analog input is dependent on the input capacitor and modulator clock frequency (MCLK), which is also the sampling frequency of the converter. Figure 3 shows the basic input structure of the ADS1201. The relationship between the input impedance of the ADS1201 and the modulator clock frequency is:

$$A_{IN} \text{ Input Impedance}(\Omega) = \frac{1E12}{12 \cdot f_{MCLK}}$$

The input impedance becomes a consideration in designs where the source impedance of the input signal is significant. In this case, it is possible for a portion of the signal to be lost across this external source impedance. The importance of this effect depends on the desired system performance.

There are two restrictions on the analog input signal to the ADS1201. Under no conditions should the current into or

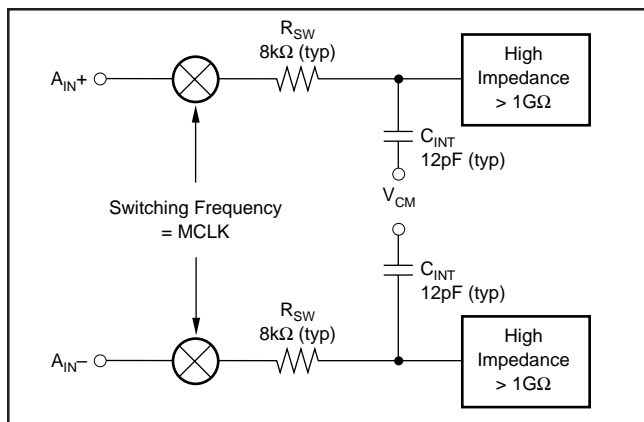


FIGURE 3. Input Impedance of the ADS1201.

out of the analog inputs exceed 10mA. In addition, the linearity of the device is guaranteed only when the analog voltage applied to either input resides within the range defined by  $AGND = > -30mV$  and  $< = AV_{DD} + 30mV$ . If either of the inputs exceed these limits, the input protection diodes on the front end of the converter will begin to turn on. This will induce leakage paths resulting in nonlinearities in the conversion process.

For this reason, the 0V to 5V input range must be used with caution. Should  $AV_{DD}$  be 4.75V, the analog input signal would swing outside the guaranteed specifications of the device. Designs utilizing this mode of operation should consider limiting the span to a slightly smaller range. Common-mode voltages are also a significant concern and must be carefully analyzed.

### Modulator

The modulator sampling frequency (MCLK) can be operated over a range of 20kHz to 1MHz. The frequency of MCLK can be increased to improve the performance of the converter or adjusted to comply with the clock requirements of the application.

The modulator topology is fundamentally a 2nd-order, charge-balancing A/D converter, as the one conceptualized in Figure 4. The analog input voltage and the output of the 1-bit DAC is differentiated, providing an analog voltage at  $X_2$  and  $X_3$ . The voltage at  $X_2$  and  $X_3$  are presented to their individual integrators. The output of these integrators progress in a negative or positive direction. When the value of the signal at  $X_4$  equals the comparator reference voltage, the output of the comparator switches from negative to positive or positive to negative, depending on its original state. When the output value of the comparator switches from a HIGH to LOW or vice versa, the 1-bit DAC responds on the next clock pulse by changing its analog output voltage at  $X_6$ , causing the integrators to progress in the opposite direction. The feedback of the modulator to the front end of the integrators force the value of the integrator output to track the average of the input.

## REFERENCE CIRCUIT

There are two reference circuits included in the ADS1201 converter:  $V_{REF}$  ( $REF_{IN}$ ,  $REF_{OUT}$ ) and  $V_{BIAS}$ . The circuitry for  $V_{REF}$  is configured to allow the user to utilize the internal reference on the chip or provide an external reference to the converter (see Figure 5). The second reference,  $V_{BIAS}$ , is derived from  $V_{REF}$ , whether it is internal or external.  $V_{BIAS}$  is exclusively an output reference. This ratiometric relationship between  $V_{REF}$  and  $V_{BIAS}$  reduces system errors when two separate bias voltages are required in the application.

## REFERENCE INPUT ( $REF_{IN}$ )

The reference input ( $REF_{IN}$ ) of the ADS1201 can be configured so that the 2.5V (nominal) internal or external reference can be used in the conversion process. If the internal refer-

ence is used, the correct connection configuration is shown in Figure 5a. The capacitor in this circuit is absolutely required if low noise performance is desired.

An external reference can be used to reduce the noise in the conversion process. If an external reference is used, care should be taken to insure that the selected reference has low noise performance. The appropriate connection circuit of an external reference is shown in Figure 5b. The reference must be configured with appropriate capacitors to reduce the high frequency noise that may be contributed by the reference. The input impedance of  $REF_{IN}$  changes with the modulator clock frequency. The relationship is:

$$\text{Typical } REF_{IN} \text{ Input Impedance} = \frac{1E12}{50 \cdot f_{MCLK}}$$

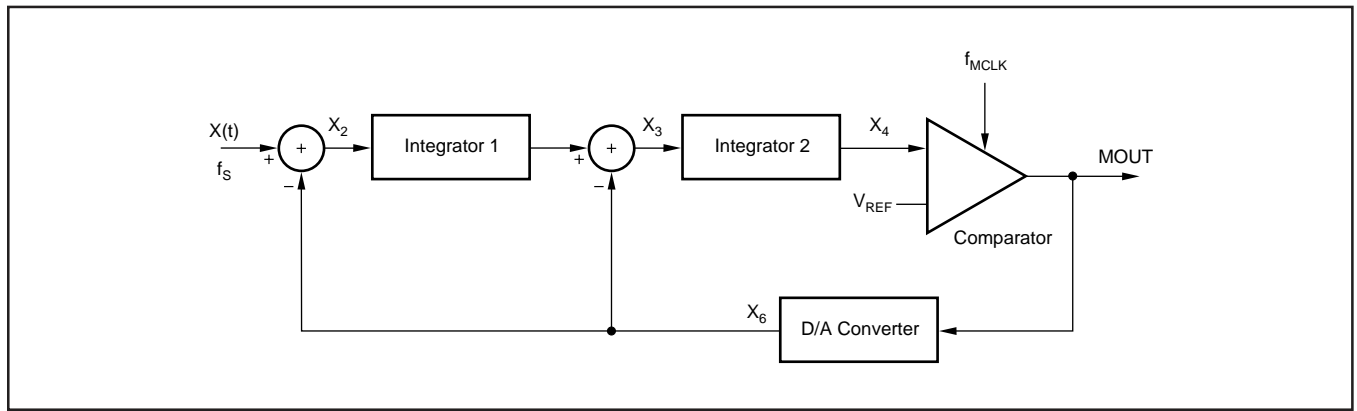


FIGURE 4. Block Diagram of a Second-Order Modulator.

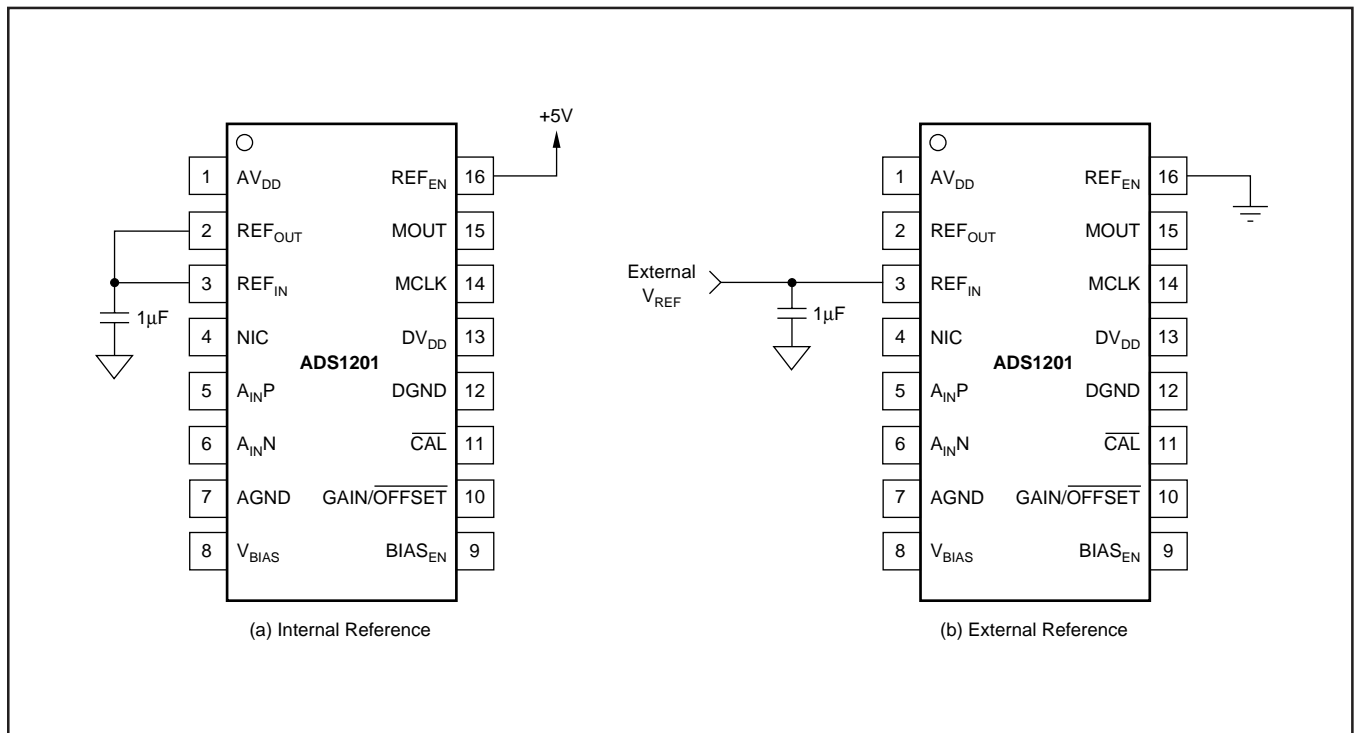


FIGURE 5. Two Voltage Reference Connection Alternatives for the ADS1201.

The reference input voltage can vary between 2V and 3V. Higher reference voltages will cause the full-scale range to increase while the internal circuit noise of the converter remains approximately the same. This will increase the LSB weight but not the internal noise, resulting in increased signal-to-noise ratio. Likewise, lower reference voltages will decrease the signal-to-noise ratio.

The internal reference, which generates +2.5V, can be disabled when an external reference is used. This internal reference is disabled with the REF<sub>EN</sub> pin. When the reference is disabled, the supply current (AV<sub>DD</sub>) of the converter will reduce by approximately 1.6mA.

### REFERENCE OUTPUT (V<sub>REF\_OUT</sub>)

The ADS1201 contains an internal +2.5V reference. When using this feature, REF<sub>EN</sub> must be HIGH (see Figure 5). Tolerances, drift, noise, and other specifications for this

reference are given in the Specifications table. Note that this reference is not designed to sink or to source more than 1mA of current. In addition, loading the reference with a dynamic or variable load is not recommended. This can result in small changes in reference voltage as the load changes.

### VOLTAGE BIAS OUTPUT (V<sub>BIAS</sub>)

The V<sub>BIAS</sub> output voltage is dependent on the reference input (REF<sub>IN</sub>) voltage and is approximately 1.33 times as great. The output of V<sub>BIAS</sub> is used to bias input signals of greater than 5V. If a resistor network is used in combination with the V<sub>BIAS</sub> output, the signal range can be scaled and level shifted to match the input range of the ADS1201. Figure 6 shows a connection diagram which will allow the ADS1201 to accept a ±10V input signal (20V full-scale range). If BIAS<sub>EN</sub> is HIGH, the voltage at V<sub>BIAS</sub> will be 3.3V (assumes a 2.5V nominal V<sub>REF</sub>).

REF <sub>EN</sub>	REF <sub>OUT</sub>
LOW	High Impedance
HIGH	2.5V (nominal)

TABLE I. Reference Enable.

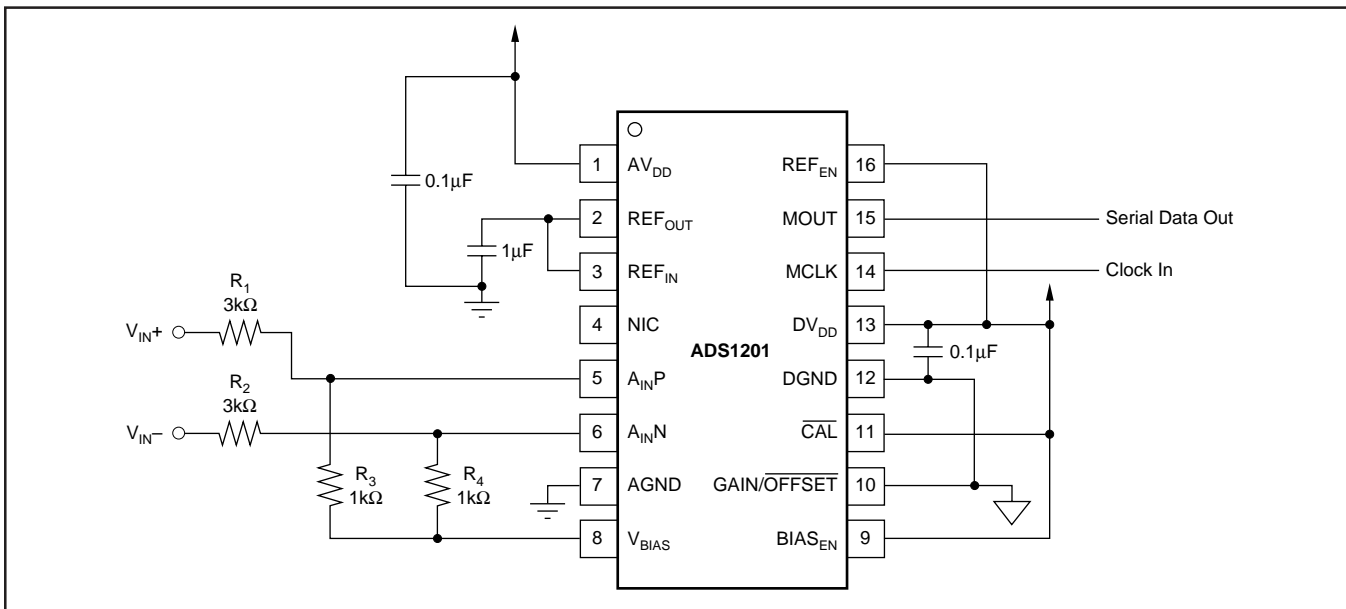


FIGURE 6. ±10V Bipolar Input Configuration Using V<sub>BIAS</sub>.

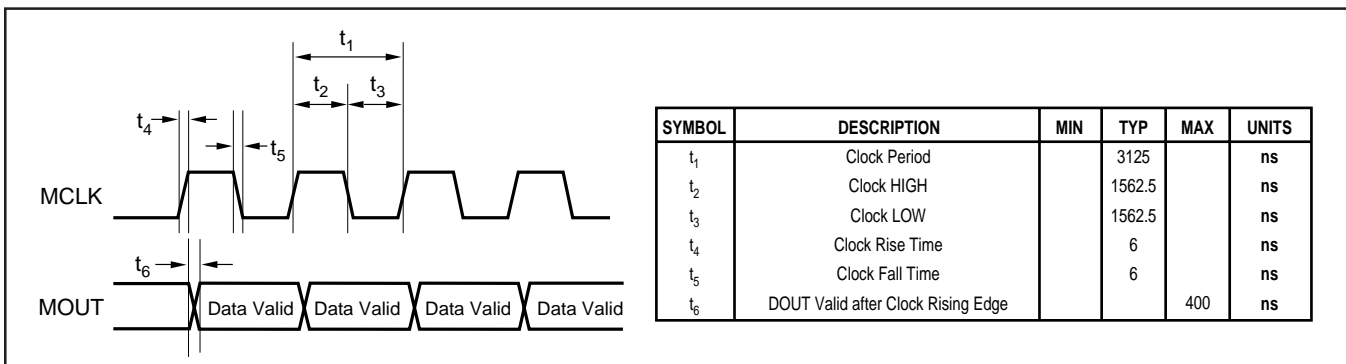


FIGURE 7. Timing Diagram for the Digital Interface of the ADS1201.



BIAS <sub>EN</sub>	V <sub>BIAS</sub>
LOW	High Impedance
HIGH	1.33V • V <sub>REF</sub>

TABLE II. Bias Enable.

When enabled, the V<sub>BIAS</sub> circuitry consumes approximately 1mA with no external load. The maximum current into or out of V<sub>BIAS</sub> should not exceed 10mA.

On power-up, external signals may be present before V<sub>BIAS</sub> is enabled. This can create a situation in which a negative voltage is applied to the analog inputs, reverse biasing the negative input protection diode of the ADS1201. This situation should not be a problem as long as the resistors R<sub>1</sub> and R<sub>2</sub> limit the current being sourced by each analog input to be under 10mA. A potential of 0V at the analog input pin (A<sub>INP</sub> or A<sub>INN</sub>) should be used in the calculation.

## DIGITAL OUTPUT

The timing diagram for the ADS1201 data retrieval is shown in Figure 7. MCLK initiates the modulator process for the ADS1201 and is used as a system clock by the ADS1201, as well as a framing clock for data out. The modulator output data, which is a serial stream, is available on the MOUT pin. Typically, MOUT is read on the falling edge of MCLK. Under any situation with MCLK, the duty cycle must be kept constant for reliable, repeatable results.

An input differential signal of 0V will ideally produce a stream of ones and zeros that are HIGH 50% of the time and LOW 50% of the time. A differential input of 5V will produce a stream of ones and zeros that are HIGH 90% of the time. A differential input of -5V will produce a stream of ones and zeros that are HIGH 10% of the time. The input voltage versus the output modulator signal is shown in Figure 8.

## OFFSET and GAIN CALIBRATION

The ADS1201 offers a self-calibration function that is implemented with the GAIN/OFFSET and CAL<sub>EN</sub> pins. Both conditions provide an output stream of data, similar to normal operation where the converter is configured to sample an input signal at A<sub>IN</sub>.

The offset and gain errors of the ADS1201 are calibrated independently. For best operation, the offset should be calibrated first, followed by the gain. The calibration implementation timing diagram is shown in Figure 9. The calibration mode pins control the calibration functions of the ADS1201.

Calibration should be performed once and then normal operation can be resumed. Calibration of offset and gain is recommended immediately after power-on and whenever there is a “significant” change in the operating environment. Significant changes in the operating environment include a change of the MCLK frequency, MCLK duty cycle, power

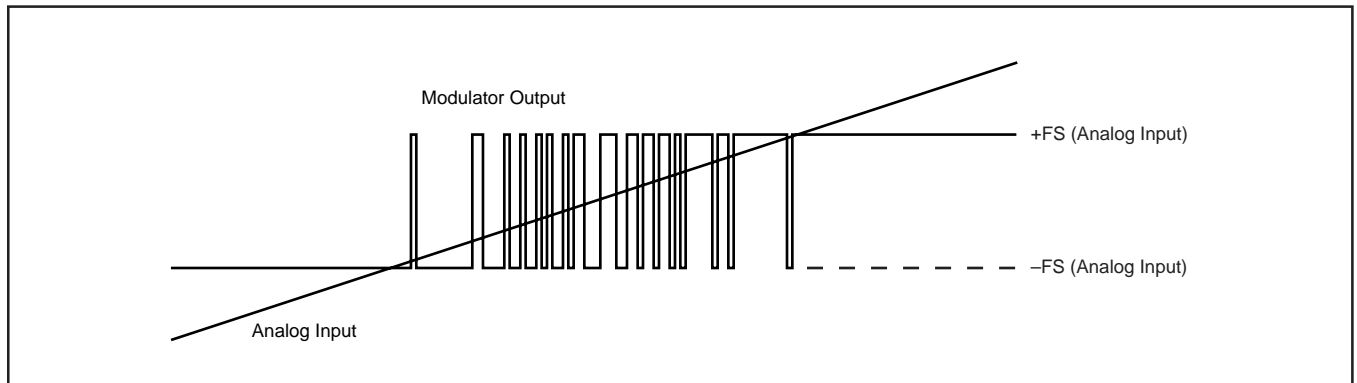


FIGURE 8. Analog Input versus Modulator Output of the ADS1201.

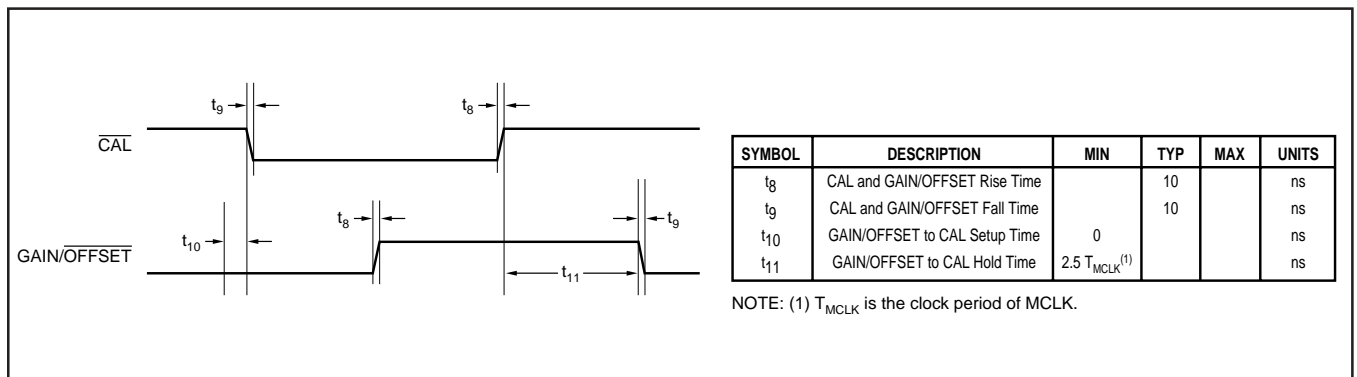


FIGURE 9. Timing Diagram for the Calibration Feature of the ADS1201.

GAIN/OFFSET	CAL <sub>EN</sub>	
0	1	Normal Mode
0	0	Offset Calibration, Analog inputs shorted to ground internally.
1	0	Full-Scale Calibration, Analog inputs are referenced to V <sub>REF</sub> internally.

TABLE III. Calibration Enable.

supply, V<sub>REF</sub>, or temperature. The amount of change which could cause a re-calibration is dependent on the application and effective resolution of the system.

The results of the calibration calculations are stored in two registers in the processor chip (see Figure 1). These two calibration results can then be used to calibrate the input signal results with one of the following formulas:

$$\text{Equivalent Calibrated Output Code} = \text{FSC} (FO_1 - FO_2) / (FO_3 - FO_2)$$

- where FO<sub>1</sub> = Filter output code of an applied input voltage
- FO<sub>2</sub> = Filter output code of the offset calibration
- FO<sub>3</sub> = Filter output code of the gain calibration
- FSC = Desired full-scale output

With a simple sinc filter, the calibrated A/D conversion would equal:

$$\text{Equivalent Calibrated Input Voltage} = (N_1 - N_2) \cdot V_{REF} / (N_3 - N_2)$$

- where N<sub>1</sub> = number of ones counted (or digital equivalent after filtering) over given time (t<sub>M</sub>) with an applied input voltage
- N<sub>2</sub> = number of ones counted (or digital equivalent after filtering) during offset calibration where t<sub>12</sub> = t<sub>M</sub>
- N<sub>3</sub> = number of ones counted (or digital equivalent after filtering) during gain calibration where t<sub>13</sub> = t<sub>M</sub>

A system calibration can be performed by applying two known voltage levels to the input of the converter. In this situation, the GAIN/OFFSET and CAL<sub>EN</sub> pins are not used. Rather, the digital output of these two known voltages are accumulated by the processor. With this data, the processor can determine the calibration register values that are appropriate for the application.

## LAYOUT CONSIDERATIONS

### POWER SUPPLIES

The ADS1201 requires the digital supply (DV<sub>DD</sub>) to be no greater than the analog supply (AV<sub>DD</sub>). Failure to observe this condition could cause permanent damage to the ADS1201. The best scheme is to power the analog section of the design and AV<sub>DD</sub> from one +5V line and the digital section and DV<sub>DD</sub> from a separate +5V line (from the same supply). If there are separate analog and digital power supplies for the ADS1201, a good design approach would be to have the analog supply come up first, followed by the digital supply. Another approach that can be used to control the analog and digital power supply differences is shown in Figure 10. In this circuit, a connection has been made between the ADS1201 supply pins via a 10Ω resistor. The combination of this resistor and the decoupling capacitors provides some filtering between DV<sub>DD</sub> and AV<sub>DD</sub>.

The analog supply should be well regulated and low noise. For designs requiring very high resolution from the ADS1201, power supply rejection will be a concern. The requirements for the digital supply are not strict. However, high frequency noise on DV<sub>DD</sub> can capacitively couple into the analog portion of the ADS1201. This noise can originate from switching power supplies, microprocessors or digital signal processors.

For either supply, high frequency noise will generally be rejected by the external digital filter at integer multiples of MCLK. Just below and above these frequencies, noise will alias back into the pass-band of the digital filter, affecting the conversion result.

Inputs to the ADS1201, such as A<sub>IN</sub>, REF<sub>IN</sub>, and MCLK, should not be present before the analog and digital supplies are on. Violating this condition could cause latch-up. If these signals are present before the supplies are on, series resistors should be used to limit the input current.

If one supply must be used to power the ADS1201, the system's analog supply should be used to power both AV<sub>DD</sub> and DV<sub>DD</sub>. Experimentation may be the best way to determine the appropriate connection between AV<sub>DD</sub> and DV<sub>DD</sub>.

### GROUNDING

The analog and digital sections of the design should be carefully and cleanly partitioned. Each section should have its own ground plane with no overlap between them. AGND should be connected to the analog ground plane as well as all other analog grounds. DGND should be connected to the digital ground plane and all digital signals referenced to this plane.

The ADS1201 pinout is such that the converter is cleanly separated into an analog and digital portion. This should allow simple layout of the analog and digital sections of the design.

For a signal converter system, AGND and DGND of the ADS1201 can be connected together. Do not join the ground planes, but connect the two with a moderate signal trace underneath the converter. For multiple converters, connect the two ground planes at one location as central to all of the converters as possible. In some cases, experimentation may be required to find the best point to connect the two planes together. Experimentation may be the best way to determine the appropriate connection between AGND and DGND.

### DECOUPLING

Good decoupling practices should be used for the ADS1201 and for all components in the design. All decoupling capacitors, specifically the 0.1μF ceramic capacitors, should be placed as close as possible to the pin being decoupled. A 1μF and 10μF capacitor, in parallel with the 0.1μF ceramic capacitor, should be used to decouple AV<sub>DD</sub> to AGND. At a minimum, a 0.1μF ceramic capacitor should be used to decouple DV<sub>DD</sub> to DGND, as well as for the digital supply on each digital component.

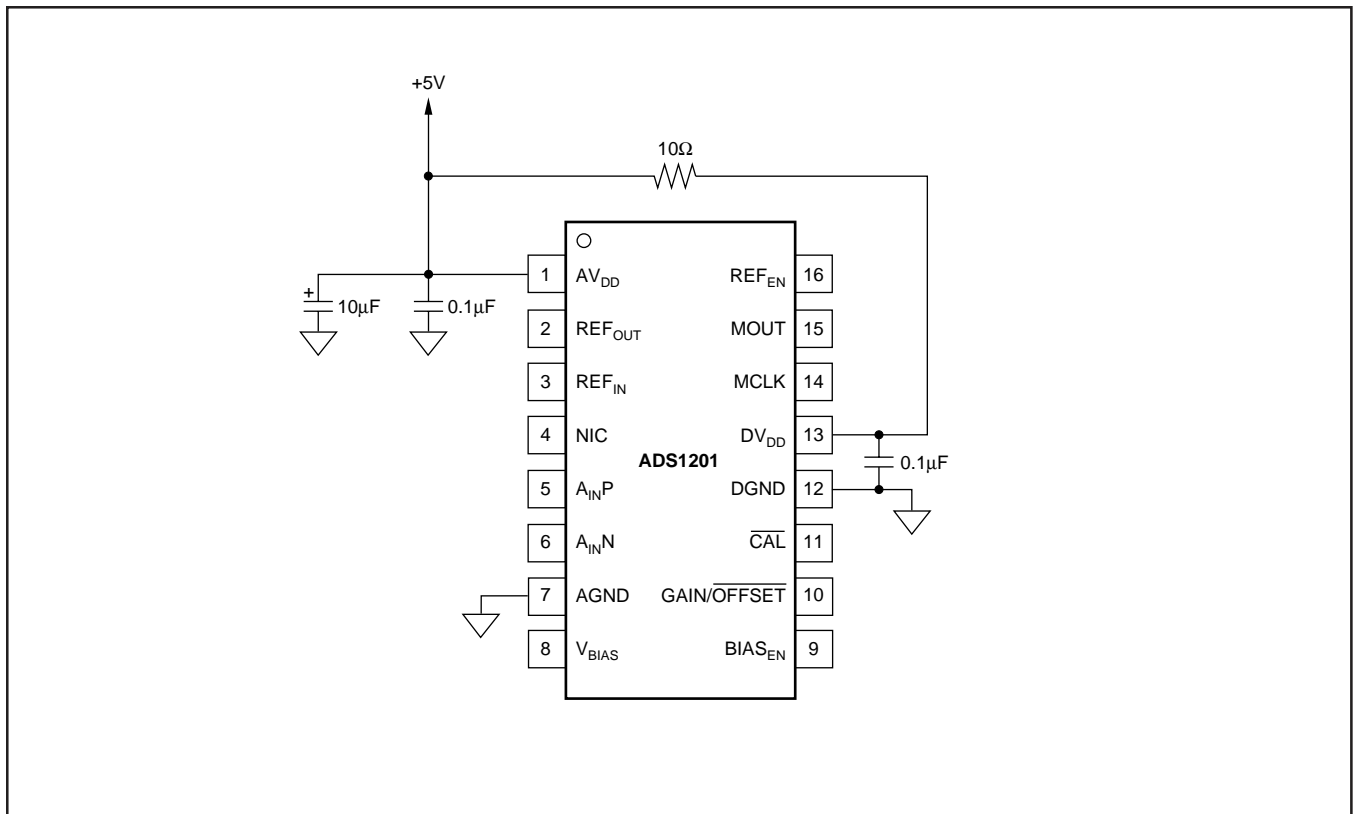


FIGURE 10. Power Supply Connection Using One Power Plane and One Digital Plane.

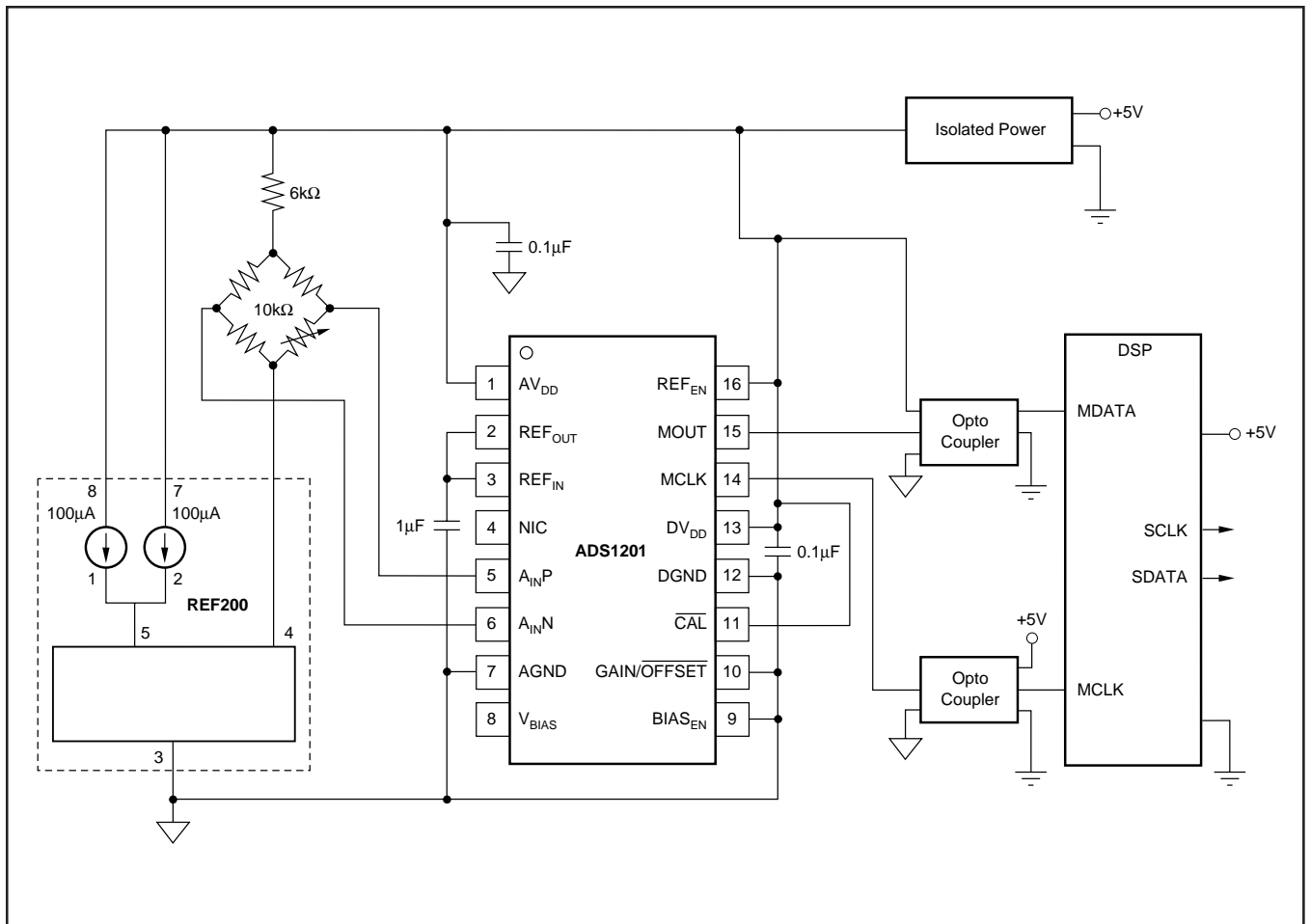


FIGURE 11. Bridge Transducer Interface with Current Excitation.

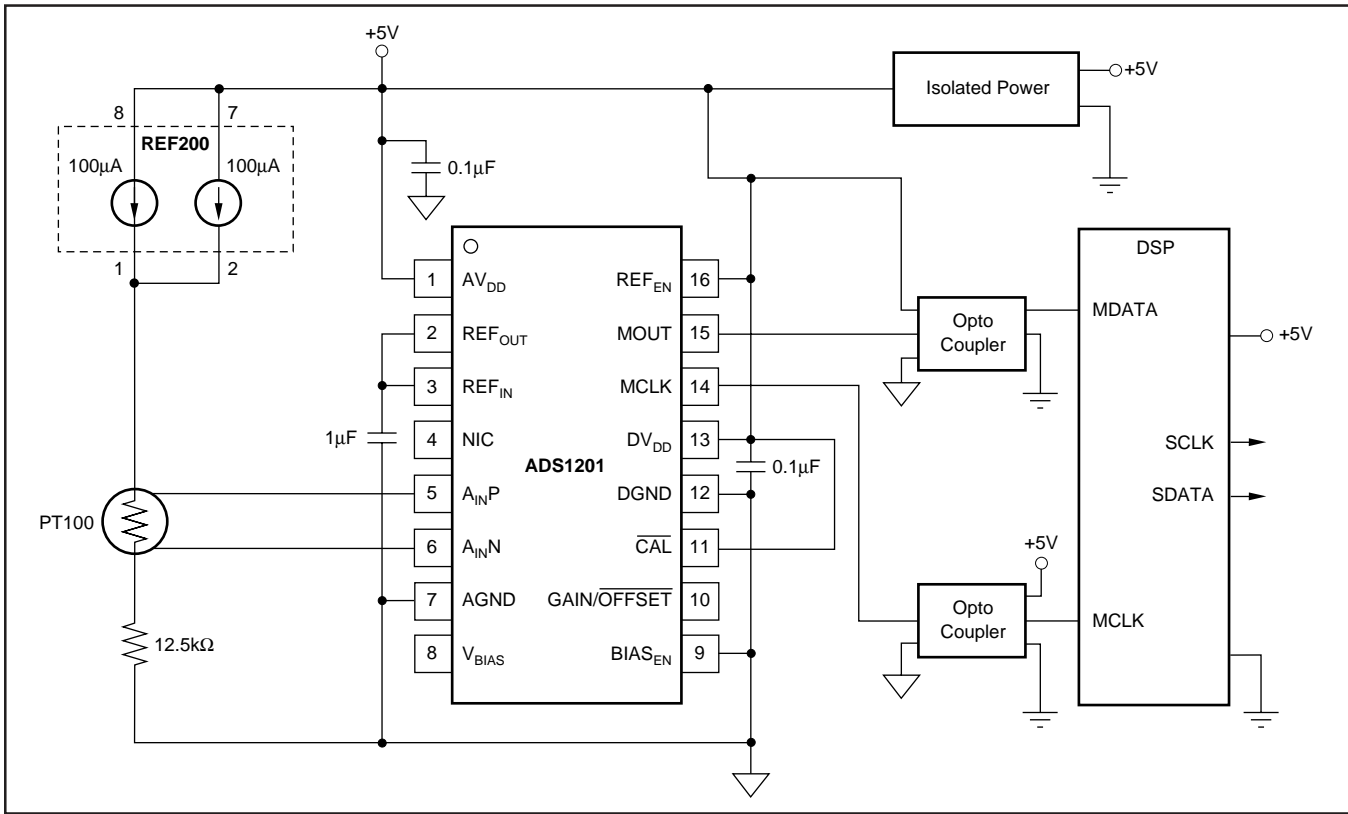


FIGURE 12. PT100 Interface with Current Excitation.

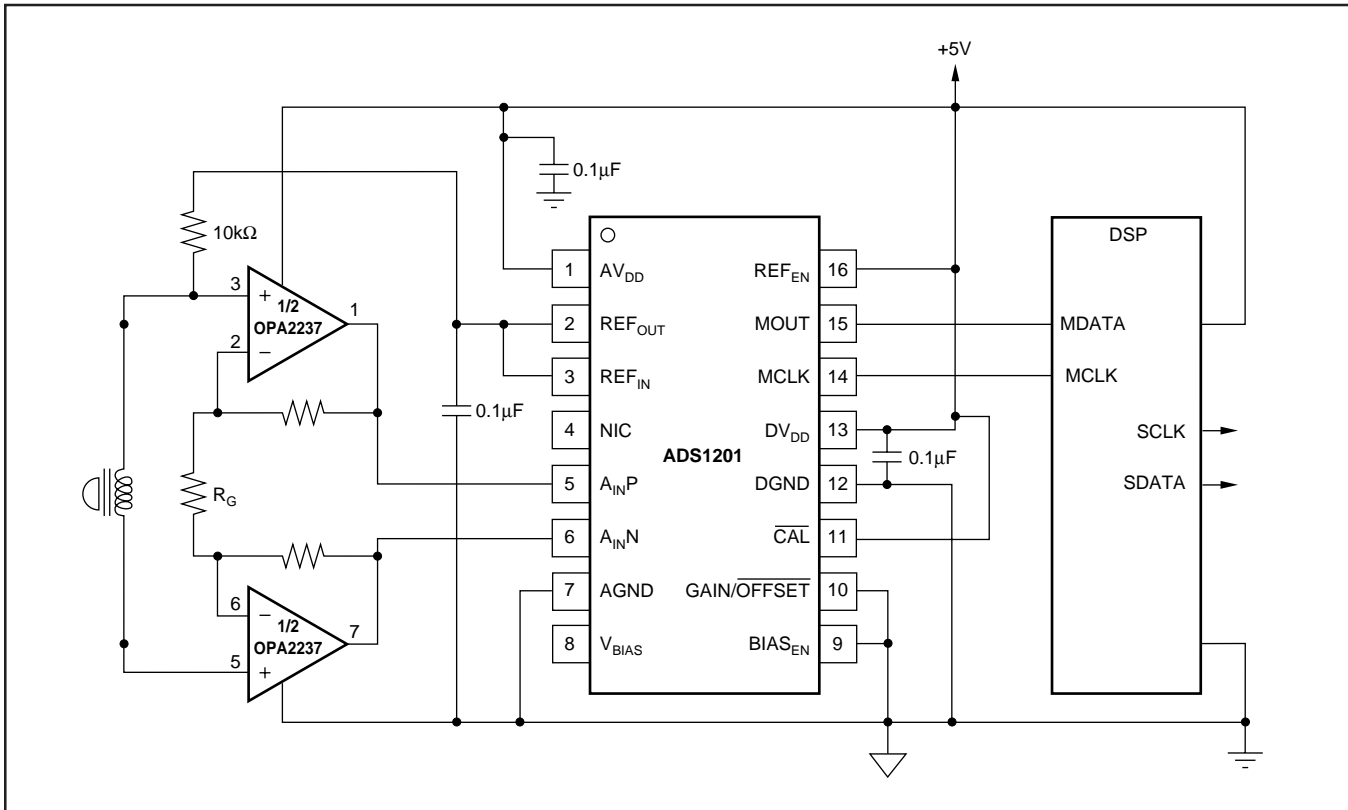


FIGURE 13. Geophone Interface.

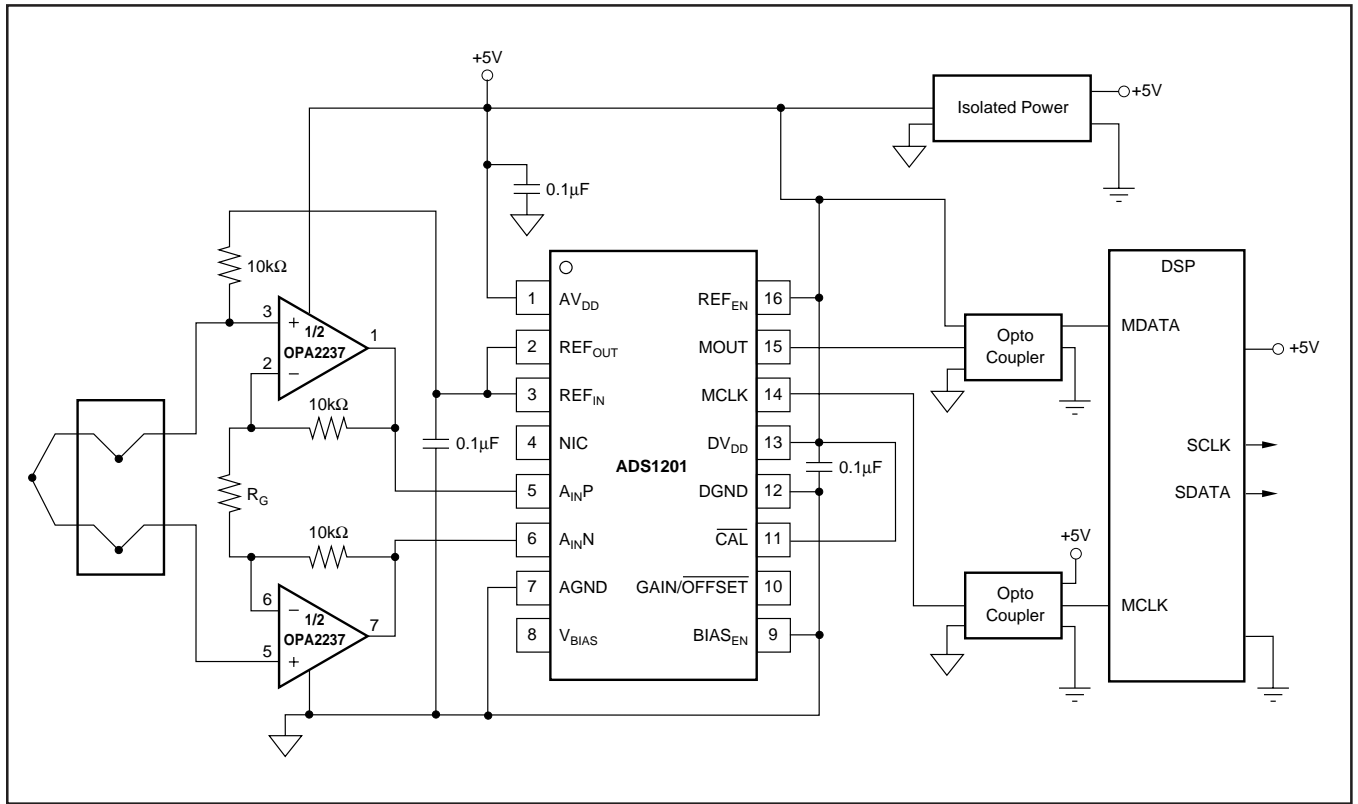


FIGURE 14. Single-Supply, High Accuracy Thermocouple Interface.

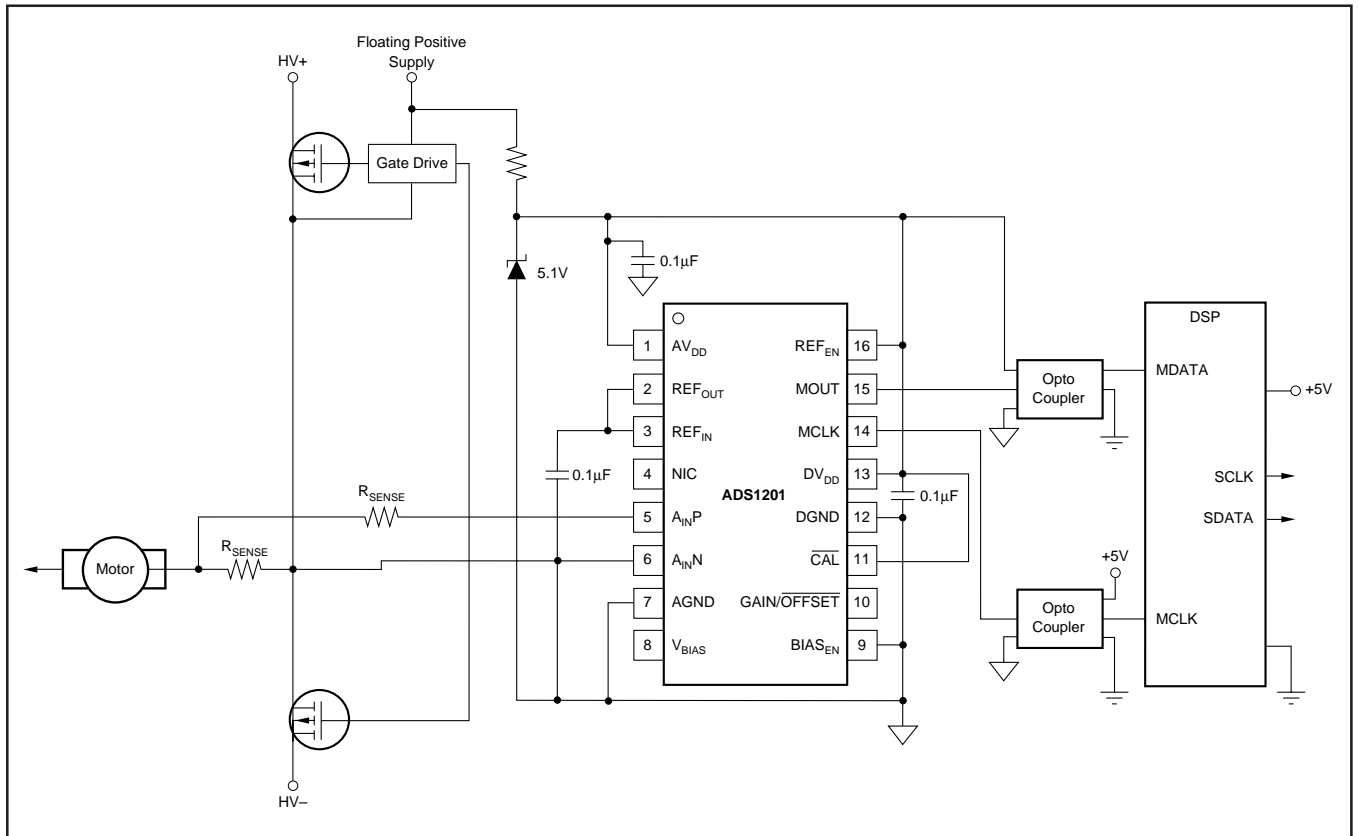


FIGURE 15. Motor Controller Sensing Circuit.

**PACKAGING INFORMATION**

Orderable Device	Status <sup>(1)</sup>	Package Type	Package Drawing	Pins	Package Qty	Eco Plan <sup>(2)</sup>	Lead/Ball Finish	MSL Peak Temp <sup>(3)</sup>
ADS1201U	ACTIVE	SOIC	DW	16	40	Green (RoHS & no Sb/Br)	CU NIPDAU	Level-2-260C-1 YEAR
ADS1201U/1K	ACTIVE	SOIC	DW	16	1000	Green (RoHS & no Sb/Br)	CU NIPDAU	Level-2-260C-1 YEAR
ADS1201U/1KG4	ACTIVE	SOIC	DW	16	1000	Green (RoHS & no Sb/Br)	CU NIPDAU	Level-2-260C-1 YEAR
ADS1201UG4	ACTIVE	SOIC	DW	16	40	Green (RoHS & no Sb/Br)	CU NIPDAU	Level-2-260C-1 YEAR

<sup>(1)</sup> The marketing status values are defined as follows:

**ACTIVE:** Product device recommended for new designs.

**LIFEBUY:** TI has announced that the device will be discontinued, and a lifetime-buy period is in effect.

**NRND:** Not recommended for new designs. Device is in production to support existing customers, but TI does not recommend using this part in a new design.

**PREVIEW:** Device has been announced but is not in production. Samples may or may not be available.

**OBSOLETE:** TI has discontinued the production of the device.

<sup>(2)</sup> Eco Plan - The planned eco-friendly classification: Pb-Free (RoHS), Pb-Free (RoHS Exempt), or Green (RoHS & no Sb/Br) - please check <http://www.ti.com/productcontent> for the latest availability information and additional product content details.

**TBD:** The Pb-Free/Green conversion plan has not been defined.

**Pb-Free (RoHS):** TI's terms "Lead-Free" or "Pb-Free" mean semiconductor products that are compatible with the current RoHS requirements for all 6 substances, including the requirement that lead not exceed 0.1% by weight in homogeneous materials. Where designed to be soldered at high temperatures, TI Pb-Free products are suitable for use in specified lead-free processes.

**Pb-Free (RoHS Exempt):** This component has a RoHS exemption for either 1) lead-based flip-chip solder bumps used between the die and package, or 2) lead-based die adhesive used between the die and leadframe. The component is otherwise considered Pb-Free (RoHS compatible) as defined above.

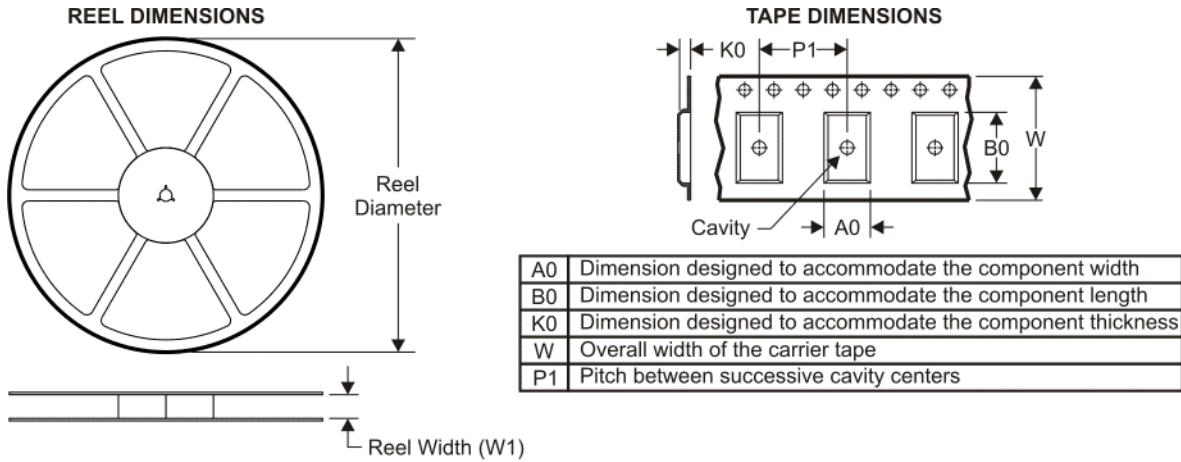
**Green (RoHS & no Sb/Br):** TI defines "Green" to mean Pb-Free (RoHS compatible), and free of Bromine (Br) and Antimony (Sb) based flame retardants (Br or Sb do not exceed 0.1% by weight in homogeneous material)

<sup>(3)</sup> MSL, Peak Temp. -- The Moisture Sensitivity Level rating according to the JEDEC industry standard classifications, and peak solder temperature.

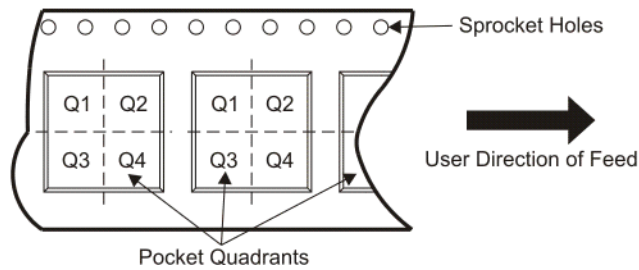
**Important Information and Disclaimer:**The information provided on this page represents TI's knowledge and belief as of the date that it is provided. TI bases its knowledge and belief on information provided by third parties, and makes no representation or warranty as to the accuracy of such information. Efforts are underway to better integrate information from third parties. TI has taken and continues to take reasonable steps to provide representative and accurate information but may not have conducted destructive testing or chemical analysis on incoming materials and chemicals. TI and TI suppliers consider certain information to be proprietary, and thus CAS numbers and other limited information may not be available for release.

In no event shall TI's liability arising out of such information exceed the total purchase price of the TI part(s) at issue in this document sold by TI to Customer on an annual basis.

**TAPE AND REEL INFORMATION**



**QUADRANT ASSIGNMENTS FOR PIN 1 ORIENTATION IN TAPE**



\*All dimensions are nominal

Device	Package Type	Package Drawing	Pins	SPQ	Reel Diameter (mm)	Reel Width W1 (mm)	A0 (mm)	B0 (mm)	K0 (mm)	P1 (mm)	W (mm)	Pin1 Quadrant
ADS1201U/1K	SOIC	DW	16	1000	330.0	16.4	10.85	10.8	2.7	12.0	16.0	Q1

**TAPE AND REEL BOX DIMENSIONS**



\*All dimensions are nominal

Device	Package Type	Package Drawing	Pins	SPQ	Length (mm)	Width (mm)	Height (mm)
ADS1201U/1K	SOIC	DW	16	1000	346.0	346.0	33.0



## IMPORTANT NOTICE

Texas Instruments Incorporated and its subsidiaries (TI) reserve the right to make corrections, modifications, enhancements, improvements, and other changes to its products and services at any time and to discontinue any product or service without notice. Customers should obtain the latest relevant information before placing orders and should verify that such information is current and complete. All products are sold subject to TI's terms and conditions of sale supplied at the time of order acknowledgment.

TI warrants performance of its hardware products to the specifications applicable at the time of sale in accordance with TI's standard warranty. Testing and other quality control techniques are used to the extent TI deems necessary to support this warranty. Except where mandated by government requirements, testing of all parameters of each product is not necessarily performed.

TI assumes no liability for applications assistance or customer product design. Customers are responsible for their products and applications using TI components. To minimize the risks associated with customer products and applications, customers should provide adequate design and operating safeguards.

TI does not warrant or represent that any license, either express or implied, is granted under any TI patent right, copyright, mask work right, or other TI intellectual property right relating to any combination, machine, or process in which TI products or services are used. Information published by TI regarding third-party products or services does not constitute a license from TI to use such products or services or a warranty or endorsement thereof. Use of such information may require a license from a third party under the patents or other intellectual property of the third party, or a license from TI under the patents or other intellectual property of TI.

Reproduction of TI information in TI data books or data sheets is permissible only if reproduction is without alteration and is accompanied by all associated warranties, conditions, limitations, and notices. Reproduction of this information with alteration is an unfair and deceptive business practice. TI is not responsible or liable for such altered documentation. Information of third parties may be subject to additional restrictions.

Resale of TI products or services with statements different from or beyond the parameters stated by TI for that product or service voids all express and any implied warranties for the associated TI product or service and is an unfair and deceptive business practice. TI is not responsible or liable for any such statements.

TI products are not authorized for use in safety-critical applications (such as life support) where a failure of the TI product would reasonably be expected to cause severe personal injury or death, unless officers of the parties have executed an agreement specifically governing such use. Buyers represent that they have all necessary expertise in the safety and regulatory ramifications of their applications, and acknowledge and agree that they are solely responsible for all legal, regulatory and safety-related requirements concerning their products and any use of TI products in such safety-critical applications, notwithstanding any applications-related information or support that may be provided by TI. Further, Buyers must fully indemnify TI and its representatives against any damages arising out of the use of TI products in such safety-critical applications.

TI products are neither designed nor intended for use in military/aerospace applications or environments unless the TI products are specifically designated by TI as military-grade or "enhanced plastic." Only products designated by TI as military-grade meet military specifications. Buyers acknowledge and agree that any such use of TI products which TI has not designated as military-grade is solely at the Buyer's risk, and that they are solely responsible for compliance with all legal and regulatory requirements in connection with such use.

TI products are neither designed nor intended for use in automotive applications or environments unless the specific TI products are designated by TI as compliant with ISO/TS 16949 requirements. Buyers acknowledge and agree that, if they use any non-designated products in automotive applications, TI will not be responsible for any failure to meet such requirements.

Following are URLs where you can obtain information on other Texas Instruments products and application solutions:

### Products

Amplifiers	<a href="http://amplifier.ti.com">amplifier.ti.com</a>
Data Converters	<a href="http://dataconverter.ti.com">dataconverter.ti.com</a>
DSP	<a href="http://dsp.ti.com">dsp.ti.com</a>
Clocks and Timers	<a href="http://www.ti.com/clocks">www.ti.com/clocks</a>
Interface	<a href="http://interface.ti.com">interface.ti.com</a>
Logic	<a href="http://logic.ti.com">logic.ti.com</a>
Power Mgmt	<a href="http://power.ti.com">power.ti.com</a>
Microcontrollers	<a href="http://microcontroller.ti.com">microcontroller.ti.com</a>
RFID	<a href="http://www.ti-rfid.com">www.ti-rfid.com</a>
RF/IF and ZigBee® Solutions	<a href="http://www.ti.com/lprf">www.ti.com/lprf</a>

### Applications

Audio	<a href="http://www.ti.com/audio">www.ti.com/audio</a>
Automotive	<a href="http://www.ti.com/automotive">www.ti.com/automotive</a>
Broadband	<a href="http://www.ti.com/broadband">www.ti.com/broadband</a>
Digital Control	<a href="http://www.ti.com/digitalcontrol">www.ti.com/digitalcontrol</a>
Medical	<a href="http://www.ti.com/medical">www.ti.com/medical</a>
Military	<a href="http://www.ti.com/military">www.ti.com/military</a>
Optical Networking	<a href="http://www.ti.com/opticalnetwork">www.ti.com/opticalnetwork</a>
Security	<a href="http://www.ti.com/security">www.ti.com/security</a>
Telephony	<a href="http://www.ti.com/telephony">www.ti.com/telephony</a>
Video & Imaging	<a href="http://www.ti.com/video">www.ti.com/video</a>
Wireless	<a href="http://www.ti.com/wireless">www.ti.com/wireless</a>

Mailing Address: Texas Instruments, Post Office Box 655303, Dallas, Texas 75265  
Copyright © 2008, Texas Instruments Incorporated