



# Quad/Dual, Low-Voltage, Bidirectional RF/Video Switches

MAX4545/MAX4546/MAX4547

## General Description

The MAX4545/MAX4546/MAX4547 are low-voltage T-switches designed for switching RF and video signals from DC to 300MHz in 50Ω and 75Ω systems. The MAX4545 contains four normally open single-pole/single-throw (SPST) switches. The MAX4546 contains two dual SPST switches (one normally open, one normally closed.) The MAX4547 contains two single-pole/double-throw (SPDT) switches.

Each switch is constructed in a "T" configuration, ensuring excellent high-frequency off isolation and crosstalk of -80dB at 10MHz. They can handle Rail-to-Rail® analog signals in either direction. On-resistance (20Ω max) is matched between switches to 1Ω max and is flat (0.5Ω max) over the specified signal range, using ±5V supplies. The off leakage current is less than 5nA at +25°C and 50nA at +85°C.

These CMOS switches can operate with dual power supplies ranging from ±2.7V to ±6V or a single supply between +2.7V and +12V. All digital inputs have 0.8V/2.4V logic thresholds, ensuring both TTL- and CMOS-logic compatibility when using ±5V or a single +5V supply.

## Applications

- RF Switching
- Video Signal Routing
- High-Speed Data Acquisition
- Test Equipment
- ATE Equipment
- Networking

## Features

- ◆ Low 50Ω Insertion Loss: -1dB at 100MHz
- ◆ High 50Ω Off Isolation: -80dB at 10MHz
- ◆ Low 50Ω Crosstalk: -80dB at 10MHz
- ◆ DC to 300MHz -3dB Signal Bandwidth
- ◆ 20Ω Signal Paths with ±5V Supplies
- ◆ 1Ω Signal-Path Matching with ±5V Supplies
- ◆ 0.5Ω Signal-Path Flatness with ±5V Supplies
- ◆ ±2.7V to ±6V Dual Supplies
- ◆ +2.7V to +12V Single Supply
- ◆ Low Power Consumption: <1μW
- ◆ Rail-to-Rail Bidirectional Signal Handling
- ◆ Pin Compatible with Industry-Standard DG540, DG542, DG643
- ◆ >2kV ESD Protection per Method 3015.7
- ◆ TTL/CMOS-Compatible Inputs with Single +5V or ±5V

## Ordering Information

PART	TEMP. RANGE	PIN-PACKAGE
MAX4545CPP	0°C to +70°C	20 Plastic DIP
MAX4545CWP	0°C to +70°C	20 Wide SO

Ordering Information continued at end of data sheet.

## Pin Configurations/Functional Diagrams/Truth Tables

**MAX4545**  
DIP/SO/SSOP

MAX4545	
LOGIC	SWITCH
0	OFF
1	ON

SWITCHES SHOWN FOR LOGIC "0" INPUT

**MAX4546**  
DIP/SO/QSOP

MAX4546		
LOGIC	1, 2	3, 4
0	OFF	ON
1	ON	OFF

**MAX4547**  
DIP/SO/QSOP

MAX4547		
LOGIC	NO-COM	NC-COM
0	OFF	ON
1	ON	OFF

Rail-to-Rail is a registered trademark of Nippon Motorola Ltd.



# Quad/Dual, Low-Voltage, Bidirectional RF/Video Switches

## ABSOLUTE MAXIMUM RATINGS

(Voltages Referenced to GND)

V+	.....-0.3V, +13.0V
V-	.....-13.0V, +0.3V
V+ to V-	.....-0.3V, +13.0V
All Other Pins (Note 1)	.....(V- - 0.3V) to (V+ + 0.3V)
Continuous Current into Any Terminal	.....±25mA
Peak Current into Any Terminal (pulsed at 1ms, 10% duty cycle)	.....±50mA
ESD per Method 3015.7	.....>2000V
Continuous Power Dissipation (T <sub>A</sub> = +70°C) (Note 2)	
16-Pin Plastic DIP	
(derate 10.53mW/°C above +70°C)	.....842mW

16-Pin Narrow SO	
(derate 8.70mW/°C above +70°C)	.....696mW
16-Pin QSOP (derate 8.3mW/°C above +70°C)	.....667mW
20-Pin Plastic DIP (derate 8.0mW/°C above +70°C)	.....640mW
20-Pin Wide SO (derate 10.00mW/°C above +70°C)	.....800mW
20-Pin SSOP (derate 8.0mW/°C above +70°C)	.....640mW
Operating Temperature Ranges	
MAX454_C_E	.....0°C to +70°C
MAX454_E_E	.....-40°C to +85°C
Storage Temperature Range	.....-65°C to +150°C
Lead Temperature (soldering, 10sec)	.....+300°C

**Note 1:** Voltages on all other pins exceeding V+ or V- are clamped by internal diodes. Limit forward diode current to maximum current rating.

Stresses beyond those listed under "Absolute Maximum Ratings" may cause permanent damage to the device. These are stress ratings only, and functional operation of the device at these or any other conditions beyond those indicated in the operational sections of the specifications is not implied. Exposure to absolute maximum rating conditions for extended periods may affect device reliability.

## ELECTRICAL CHARACTERISTICS—Dual Supplies

(V+ = +4.5V to +5.5V, V- = -4.5V to -5.5V, V<sub>INL</sub> = 0.8V, V<sub>INH</sub> = 2.4V, V<sub>GND</sub> = 0V, T<sub>A</sub> = T<sub>MIN</sub> to T<sub>MAX</sub>, unless otherwise noted. Typical values are at T<sub>A</sub> = +25°C.)

PARAMETER	SYMBOL	CONDITIONS	T <sub>A</sub>	MIN	TYP (Note 2)	MAX	UNITS
<b>ANALOG SWITCH</b>							
Analog Signal Range	V <sub>COM_</sub> , V <sub>NO_</sub> , V <sub>NC_</sub>	(Note 3)	C, E	V-		V+	V
Signal-Path On-Resistance	R <sub>ON</sub>	V+ = 4.5V, V- = -4.5V, V <sub>COM_</sub> = ±2V, I <sub>COM_</sub> = 10mA	+25°C C, E		14 18	20 25	Ω
Signal-Path On-Resistance Match Between Channels (Note 4)	ΔR <sub>ON</sub>	V+ = 4.5V, V- = -4.5V, V <sub>COM_</sub> = ±2V, I <sub>COM_</sub> = 10mA	+25°C C, E		0.5	1 1.25	Ω
Signal-Path On-Resistance Flatness (Note 5)	R <sub>FLAT(ON)</sub>	V+ = 5V; V- = -5V; V <sub>COM_</sub> = 1V, 0V, -1V; I <sub>COM_</sub> = 10mA	+25°C		0.3	0.5	Ω
NO_, NC_ Off Leakage Current (Note 6)	I <sub>NO_(OFF)</sub> , I <sub>NC_(OFF)</sub>	V+ = 5.5V, V- = -5.5V, V <sub>COM_</sub> = ±4.5V, V <sub>N_</sub> = ∓4.5V	+25°C C, E	-5 -50	0.02	5 50	nA
COM_ Off Leakage Current (Note 6)	I <sub>COM_(OFF)</sub>	V+ = 5.5V, V- = -5.5V, V <sub>COM_</sub> = ±4.5V, V <sub>N_</sub> = ∓4.5V	+25°C C, E	-5 -50	0.02	5 50	nA
COM_ On Leakage Current (Note 6)	I <sub>COM_(ON)</sub>	V+ = 5.5V, V- = -5.5V, V <sub>COM_</sub> = ±4.5V, V <sub>N_</sub> = ∓4.5V	+25°C C, E	-10 -100	0.04	10 100	nA
<b>LOGIC INPUT</b>							
IN_ Input Logic Threshold High	V <sub>IN_H</sub>		C, E		1.5	2.4	V
IN_ Input Logic Threshold Low	V <sub>IN_L</sub>		C, E	0.8	1.5		V
IN_ Input Current Logic High or Low	I <sub>INH_</sub> , I <sub>INL_</sub>	V <sub>IN_</sub> = 0.8V or 2.4V	C, E	-1	0.03	1	μA

# Quad/Dual, Low-Voltage, Bidirectional RF/Video Switches

MAX4545/MAX4546/MAX4547

## ELECTRICAL CHARACTERISTICS—Dual Supplies (continued)

(V+ = +4.5V to +5.5V, V- = -4.5V to -5.5V, VINL = 0.8V, VINH = 2.4V, VGND\_ = 0V, TA = TMIN to TMAX, unless otherwise noted. Typical values are at TA = +25°C.)

PARAMETER	SYMBOL	CONDITIONS	TA	MIN	TYP (Note 2)	MAX	UNITS
<b>SWITCH DYNAMIC CHARACTERISTICS</b>							
Turn-On Time	tON	VCOM_ = ±3V, V+ = 5V, V- = -5V, Figure 4	+25°C	90	150	200	ns
			C, E				
Turn-Off Time	tOFF	VCOM_ = ±3V, V+ = 5V, V- = -5V, Figure 4	+25°C	35	100	120	ns
			C, E				
Break-Before-Make Time Delay (MAX4546/MAX4547 only)	tBBM	VCOM_ = ±3V, V+ = 5V, V- = -5V, Figure 5 (Note 3)	+25°C	15	40		ns
Charge Injection (Note 3)	Q	CL = 1.0nF, VNO_ = 0V, RS = 0Ω, Figure 6	+25°C		60	150	pC
NO_ NC_ Off Capacitance	CN_(OFF)	VNO_ = GND, f = 1MHz, Figure 8	+25°C		6		pF
COM_ Off Capacitance	CCOM_(OFF)	VCOM_ = 0V, f = 1MHz, Figure 8	+25°C	MAX4545	6		pF
				MAX4546	6		
COM_ On Capacitance	CCOM_(ON)	VCOM_ = VNO_ = 0V, f = 1MHz, Figure 8	+25°C	MAX4545	11.5		pF
				MAX4546	11.5		
				MAX4547	17		
Off Isolation (Note 7)	VISO	RL = 50Ω, VCOM_ = 1VRMS, f = 10MHz, Figure 7	+25°C	MAX4545	-80		dB
				MAX4546	-80		
				MAX4547	-82		
Channel-to-Channel Crosstalk (Note 8)	VCT	RL = 50Ω, VCOM_ = 1VRMS, f = 10MHz, Figure 7	+25°C	MAX4545	-88		dB
				MAX4546	-80		
				MAX4547	-84		
-3dB Bandwidth	BW	Figure 7, RL = 50Ω	+25°C		300		MHz
Distortion	THD+N	VIN = 5Vp-p, f < 20kHz, 600Ω in and out	+25°C		0.004		%
<b>POWER SUPPLY</b>							
Power-Supply Range	V+, V-		C, E	-6		+6	V
V+ Supply Current	I+	V+ = 5.5V, all VIN_ = 0V or V+	+25°C	-1	0.05	1	μA
			C, E	-10		10	
V- Supply Current	I-	V- = -5.5V	+25°C	-1	0.05	1	μA
			C, E	-10		10	

# Quad/Dual, Low-Voltage, Bidirectional RF/Video Switches

MAX4545/MAX4546/MAX4547

## ELECTRICAL CHARACTERISTICS—Single +5V Supply

(V+ = +4.5V to +5.5V, V- = 0V, VINL = 0.8V, VINH = 2.4V, V<sub>GND</sub> = 0V, TA = T<sub>MIN</sub> to T<sub>MAX</sub>, unless otherwise noted. Typical values are at TA = +25°C.)

PARAMETER	SYMBOL	CONDITIONS	TA	MIN	TYP (Note 2)	MAX	UNITS
<b>ANALOG SWITCH</b>							
Analog Signal Range	V <sub>COM_</sub> , V <sub>NO_</sub> , V <sub>NC_</sub>	(Note 3)	+25°C	0		V+	V
Signal-Path On-Resistance	R <sub>ON</sub>	V+ = 4.5V, V <sub>COM_</sub> = 3.5V, I <sub>COM_</sub> = 1mA	+25°C		26	40	Ω
			C, E			60	
Signal-Path On-Resistance Match	ΔR <sub>ON</sub>	V+ = 4.5V, V <sub>COM_</sub> = 3.5V, I <sub>COM_</sub> = 1mA	+25°C			2	Ω
			C, E			4	
NO_, NC_ Off Leakage Current (Note 9)	I <sub>NO_(OFF)</sub> , I <sub>NC_(OFF)</sub>	V+ = 5.5V, V <sub>COM_</sub> = 1V, V <sub>N_</sub> = 4.5V	+25°C	-5	0.02	5	nA
			C, E	-50		50	
COM_ Off Leakage Current (Note 9)	I <sub>COM_(OFF)</sub>	V+ = 5.5V, V <sub>COM_</sub> = 1V, V <sub>N_</sub> = 4.5V	+25°C	-5	0.02	5	nA
			C, E	-50		50	
COM_ On Leakage Current (Note 9)	I <sub>COM_(ON)</sub>	V+ = 5.5V; V <sub>COM_</sub> = 1V, 4.5V	+25°C	-10	0.04	10	nA
			C, E	-100		100	
<b>LOGIC INPUT</b>							
IN_ Input Logic Threshold High	V <sub>IN_H</sub>		C, E		1.5	2.4	V
IN_ Input Logic Threshold Low	V <sub>IN_L</sub>		C, E	0.8	1.5		V
IN_ Input Current Logic High or Low	I <sub>INH_</sub> , I <sub>INL_</sub>	V <sub>IN_</sub> = 0.8V or 2.4V	C, E	-1	0.03	1	μA
<b>SWITCH DYNAMIC CHARACTERISTICS</b>							
Turn-On Time	t <sub>ON</sub>	V <sub>COM_</sub> = 3V, V+ = 5V, Figure 4	+25°C		130	250	ns
			C, E			350	
Turn-Off Time	t <sub>OFF</sub>	V <sub>COM_</sub> = 3V, V+ = 5V, Figure 4	+25°C		40	100	ns
			C, E			150	
Break-Before-Make Time Delay (MAX4546/MAX4547 only)	t <sub>BBM</sub>	V <sub>COM_</sub> = 3V, V+ = 5V, Figure 5 (Note 3)	+25°C	20	70		ns
Charge Injection	Q	C <sub>L</sub> = 1.0nF, V <sub>NO</sub> = 2.5V, R <sub>S</sub> = 0Ω, Figure 6	+25°C		25		pC
Off-Isolation (Note 7)	V <sub>ISO</sub>	R <sub>L</sub> = 50Ω, V <sub>COM_</sub> = 1V <sub>RMS</sub> , f = 10MHz, Figure 7	+25°C		-75		dB
Channel-to-Channel Crosstalk (Note 8)	V <sub>CT</sub>	R <sub>L</sub> = 50Ω, V <sub>COM_</sub> = 1V <sub>RMS</sub> , f = 10MHz, Figure 7	+25°C		-70		dB
<b>POWER SUPPLY</b>							
V+ Supply Current	I+	V+ = 5.5V, all V <sub>IN_</sub> = 0V or V+	+25°C	-1	0.05	1	μA
			C, E	-10		10	

# Quad/Dual, Low-Voltage, Bidirectional RF/Video Switches

MAX4545/MAX4546/MAX4547

## ELECTRICAL CHARACTERISTICS—Single +3V Supply

(V+ = +2.7V to +3.6V, V- = 0V, VINL = 0.8V, VINH = 2.4V, VGND\_ = 0V, TA = TMIN to TMAX, unless otherwise noted. Typical values are at TA = +25°C.)

PARAMETER	SYMBOL	CONDITIONS	TA	MIN	TYP (Note 2)	MAX	UNITS
<b>ANALOG SWITCH</b>							
Analog Signal Range	VCOM_, VNO_, VNC_	(Note 3)	+25°C	0		V+	V
Signal-Path On-Resistance	RON	V+ = 2.7V, VCOM_ = 1V, ICOM_ = 1mA	+25°C C, E		70	120 150	Ω
<b>LOGIC INPUT</b>							
IN_ Input Logic Threshold High	VIN_H	(Note 3)	C, E		1.0	2.4	V
IN_ Input Logic Threshold Low	VIN_L	(Note 3)	C, E	0.8	1.0		V
IN_ Input Current Logic High or Low	IINH_, IINL_	VIN_ = 0.8V or 2.4V (Note 3)	C, E	-1		1	μA
<b>SWITCH DYNAMIC CHARACTERISTICS</b>							
Turn-On Time	tON	VCOM_ = 1.5V, V+ = 2.7V, Figure 4 (Note 3)	+25°C C, E		300	600 800	ns
Turn-Off Time	tOFF	VCOM_ = 1.5V, V+ = 2.7V, Figure 4 (Note 3)	+25°C C, E		50	150 200	ns
Break-Before-Make Time Delay (MAX4546/MAX4547 only)	tBBM	VCOM_ = 1.5V, V+ = 2.7V, Figure 5 (Note 3)	+25°C	15	100		ns
<b>POWER SUPPLY</b>							
V+ Supply Current	I+	V+ = 3.6V, all VIN_ = 0V or V+	+25°C C, E	-1	0.05	1 10	μA

**Note 2:** The algebraic convention is used in this data sheet; the most negative value is shown in the minimum column.

**Note 3:** Guaranteed by design.

**Note 4:**  $\Delta R_{ON} = \Delta R_{ON(MAX)} - \Delta R_{ON(MIN)}$ .

**Note 5:** Resistance flatness is defined as the difference between the maximum and the minimum value of on-resistance as measured over the specified analog signal range.

**Note 6:** Leakage parameters are 100% tested at the maximum rated hot temperature and guaranteed by correlation at +25°C.

**Note 7:** Off isolation =  $20 \log_{10} [V_{COM} / (V_{NC} \text{ or } V_{NO})]$ , VCOM = output, VNC or VNO = input to off switch.

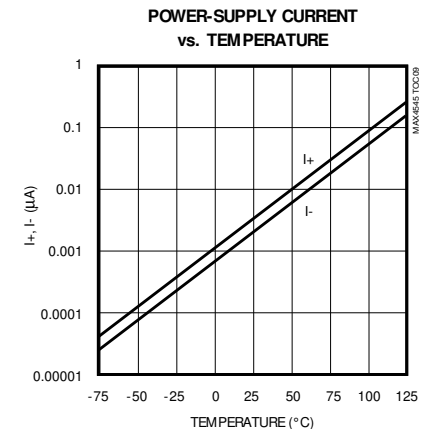
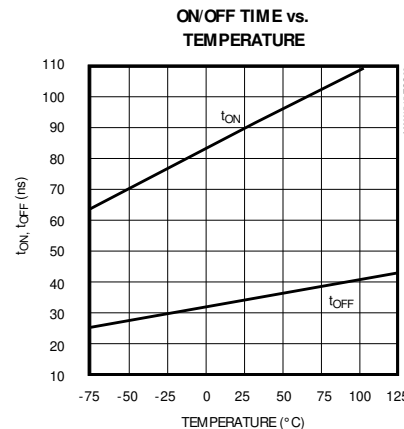
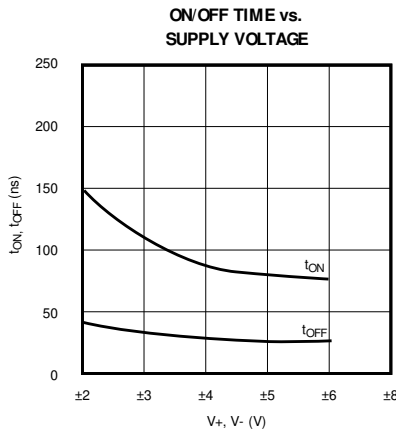
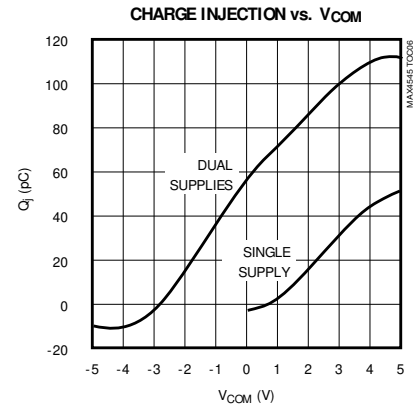
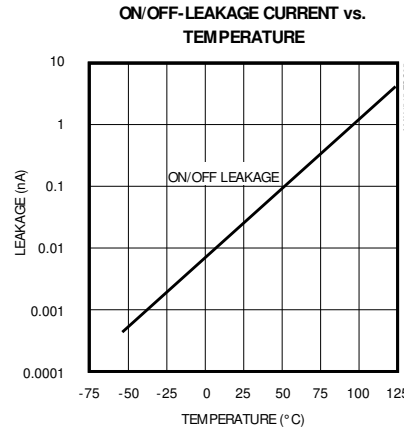
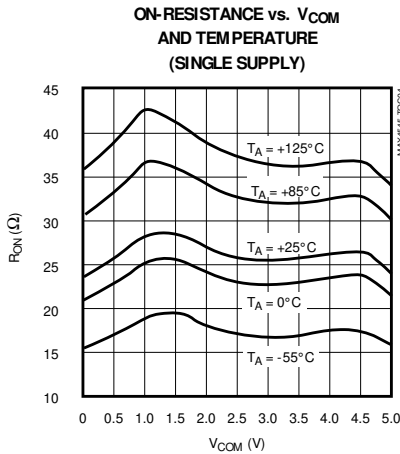
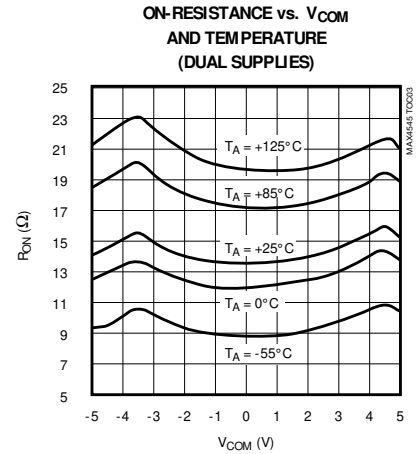
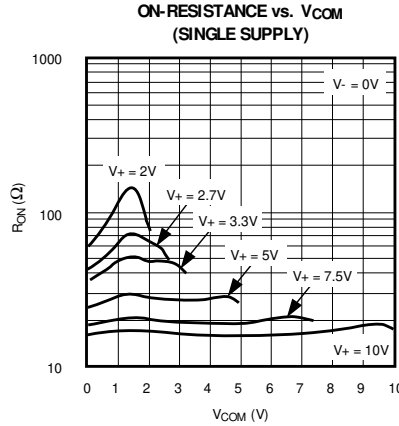
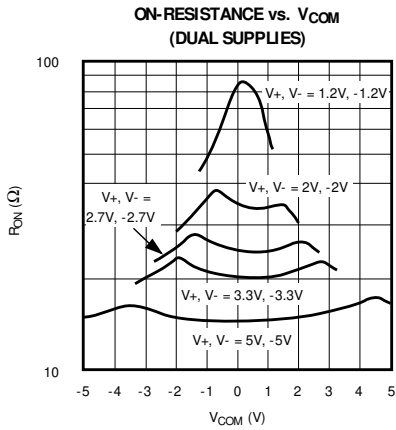
**Note 8:** Between any two switches.

**Note 9:** Leakage testing for single-supply operation is guaranteed by testing with dual supplies.

# Quad/Dual, Low-Voltage, Bidirectional RF/Video Switches

## Typical Operating Characteristics

( $V_+ = +5V$ ,  $V_- = -5V$ ,  $T_A = +25^\circ C$ , GND = 0V, packages are surface mount, unless otherwise noted.)

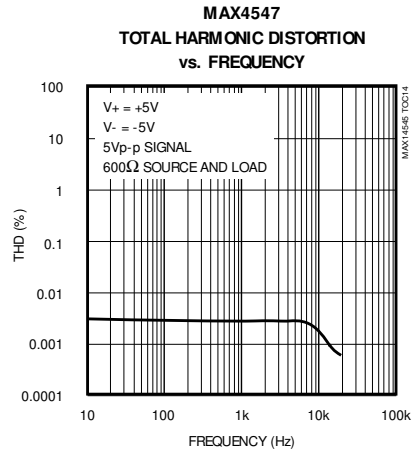
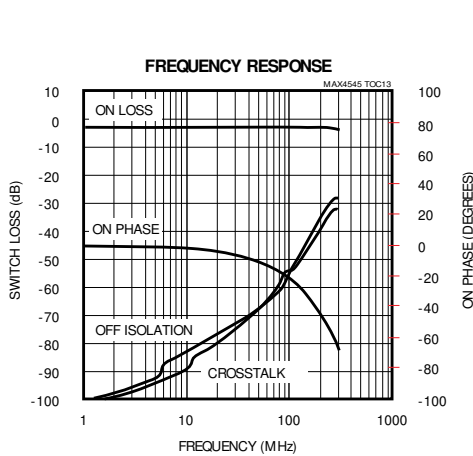
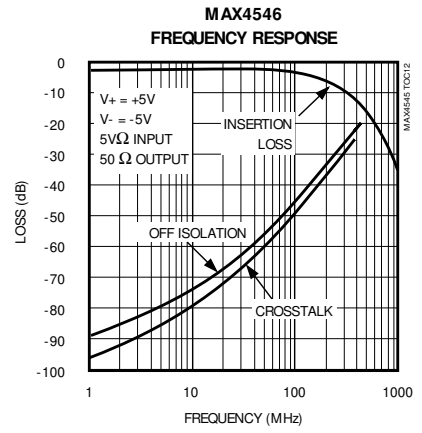
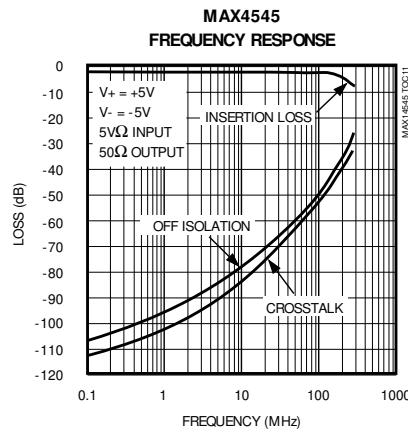
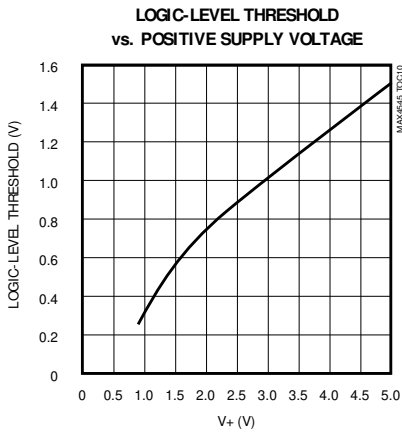


# Quad/Dual, Low-Voltage, Bidirectional RF/Video Switches

## Typical Operating Characteristics (continued)

(V+ = +5V, V- = -5V, TA = +25°C, GND = 0V, packages are surface mount, unless otherwise noted.)

MAX4545/MAX4546/MAX4547



# Quad/Dual, Low-Voltage, Bidirectional RF/Video Switches

## Pin Description

PIN			NAME	FUNCTION*
MAX4545	MAX4546	MAX4547		
1, 10, 11, 20	1, 16	1, 9	IN_	Digital Control Input
3, 6, 8, 13, 15, 18	3, 7, 10, 14	4, 6, 12, 14	GND_	RF and Logic Ground. Grounds are not internally connected to each other, and should all be connected to a ground plane (see <i>Grounding</i> section).
16	12	7, 15	V+	Positive Supply-Voltage Input (analog and digital)
5	5	3, 11	V-	Negative Supply-Voltage Input. Connect to ground plane for single-supply operation.
4, 7, 14, 17	4, 13	2, 16	NO_	Analog Switch Normally Open** Terminals
—	6, 11	8, 10	NC_	Analog Switch Normally Closed** Terminals
2, 9, 12, 19	2, 8, 9, 15	5, 13	COM_	Analog Switch Common** Terminals

\* All pins have ESD diodes to V- and V+.

\*\* NO\_ (or NC\_) and COM\_ pins are identical and interchangeable. Either may be considered as an input or output; signals pass equally well in either direction.

## Theory of Operation

### Logic-Level Translators

The MAX4545/MAX4546/MAX4547 are constructed as high-frequency “T” switches, as shown in Figure 1. The logic-level input, IN\_, is translated by amplifier A1 into a V+ to V- logic signal that drives amplifier A2. (Amplifier A2 is an inverter for normally closed switches.) Amplifier A2 drives the gates of N-channel MOSFETs N1 and N2 from V+ to V-, turning them fully on or off. The same signal drives inverter A3 (which drives the P-channel MOSFETs P1 and P2) from V+ to V-, turning them fully on or off, and drives the N-channel MOSFET N3 off and on.

The logic-level threshold is determined by V+ and GND\_. The voltage on GND\_ is usually at ground potential, but it may be set to any voltage between (V+ - 2V) and V-. When the voltage between V+ and GND\_ is less than 2V, the level translators become very slow and unreliable. Since individual switches in each package have individual GND\_ pins, they may be set to different voltages. Normally, however, they should all be connected to the ground plane.

### Switch On Condition

When the switch is on, MOSFETs N1, N2, P1, and P2 are on and MOSFET N3 is off. The signal path is COM\_ to NO\_, and because both N-channel and P-channel MOSFETs act as pure resistances, it is symmetrical

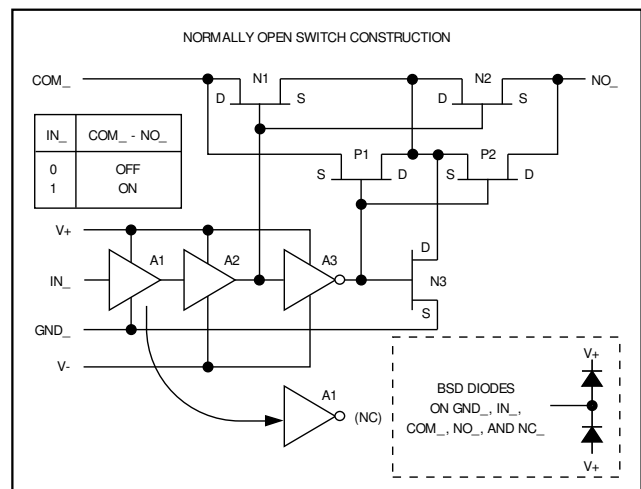


Figure 1. T-Switch Construction

(i.e., signals may pass in either direction). The off MOSFET, N3, has no DC conduction, but has a small amount of capacitance to GND\_. The four on MOSFETs also have capacitance to ground that, together with the series resistance, forms a lowpass filter. All of these capacitances are distributed evenly along the series resistance, so they act as a transmission line rather than a simple R-C filter. This helps to explain the exceptional 300MHz bandwidth when the switches are on.



# Quad/Dual, Low-Voltage, Bidirectional RF/Video Switches

MAX4545/MAX4546/MAX4547

Typical attenuation in 50Ω systems is -1dB and is reasonably flat up to 100MHz. Higher-impedance circuits show even lower attenuation (and vice versa), but slightly lower bandwidth due to the increased effect of the internal and external capacitance and the switch's internal resistance.

The MAX4545/MAX4546/MAX4547 are optimized for ±5V operation. Using lower supply voltages or a single supply increases switching time, increases on-resistance (and therefore on-state attenuation), and increases nonlinearity.

## Switch Off Condition

When the switch is off, MOSFETs N1, N2, P1, and P2 are off and MOSFET N3 is on. The signal path is through the off-capacitances of the series MOSFETs, but it is shunted to ground by N3. This forms a high-pass filter whose exact characteristics are dependent on the source and load impedances. In 50Ω systems, and below 10MHz, the attenuation can exceed 80dB. This value decreases with increasing frequency and increasing circuit impedances. External capacitance and board layout have a major role in determining overall performance.

## Applications Information

### Power-Supply Considerations

#### Overview

The MAX4545/MAX4546/MAX4547 construction is typical of most CMOS analog switches. It has three supply pins: V+, V-, and GND. V+ and V- are used to drive the internal CMOS switches and set the limits of the analog voltage on any switch. Reverse ESD protection diodes are internally connected between each analog signal pin and both V+ and V-. If the voltage on any pin exceeds V+ or V-, one of these diodes will conduct. During normal operation these reverse-biased ESD diodes leak, forming the only current drawn from V-.

Virtually all the analog leakage current is through the ESD diodes. Although the ESD diodes on a given signal pin are identical, and therefore fairly well balanced, they are reverse biased differently. Each is biased by either V+ or V- and the analog signal. This means their leakages vary as the signal varies. The *difference* in the two diode leakages from the signal path to the V+ and V- pins constitutes the analog signal-path leakage current. All analog leakage current flows to the supply terminals, not to the other switch terminal. This explains how both sides of a given switch can show leakage currents of either the same or opposite polarity.

There is no connection between the analog signal paths and GND. The analog signal paths consist of an

N-channel and P-channel MOSFET with their sources and drains paralleled and their gates driven out of phase with V+ and V- by the logic-level translators.

V+ and GND power the internal logic and logic-level translators, and set the input logic thresholds. The logic-level translators convert the logic levels to switched V+ and V- signals to drive the gates of the analog switches. This drive signal is the only connection between the logic supplies and the analog supplies. All pins have ESD protection to V+ and to V-.

Increasing V- has no effect on the logic-level thresholds, but it does increase the drive to the P-channel switches, reducing their on-resistance. V- also sets the negative limit of the analog signal voltage.

The logic-level thresholds are CMOS and TTL compatible when V+ is +5V. As V+ is raised, the threshold increases slightly; when V+ reaches +12V, the level threshold is about 3.1V, which is above the TTL output high-level minimum of 2.8V, but still compatible with CMOS outputs.

#### Bipolar-Supply Operation

The MAX4545/MAX4546/MAX4547 operate with bipolar supplies between ±2.7V and ±6V. The V+ and V- supplies need not be symmetrical, but their sum cannot exceed the absolute maximum rating of 13.0V. **Do not connect the MAX4545/MAX4546/MAX4547 V+ pin to +3V and connect the logic-level input pins to TTL logic-level signals. TTL logic-level outputs can exceed the absolute maximum ratings, causing damage to the part and/or external circuits.**

#### CAUTION:

**The absolute maximum V+ to V- differential voltage is 13.0V. Typical “±6-Volt” or “12-Volt” supplies with ±10% tolerances can be as high as 13.2V. This voltage can damage the MAX4545/MAX4546/MAX4547. Even ±5% tolerance supplies may have overshoot or noise spikes that exceed 13.0V.**

#### Single-Supply Operation

The MAX4545/MAX4546/MAX4547 operate from a single supply between +2.7V and +12V when V- is connected to GND. All of the bipolar precautions must be observed. Note, however, that these parts are optimized for ±5V operation, and most AC and DC characteristics are degraded significantly when departing from ±5V. As the overall supply voltage (V+ to V-) is lowered, switching speed, on-resistance, off isolation, and distortion are degraded. (See *Typical Operating Characteristics*.)

# Quad/Dual, Low-Voltage, Bidirectional RF/Video Switches

Single-supply operation also limits signal levels and interferes with grounded signals. When  $V_- = 0V$ , AC signals are limited to  $-0.3V$ . Voltages below  $-0.3V$  can be clipped by the internal ESD-protection diodes, and the parts can be damaged if excessive current flows.

## Power Off

When power to the MAX4545/MAX4546/MAX4547 is off (i.e.,  $V_+ = 0V$  and  $V_- = 0V$ ), the Absolute Maximum Ratings still apply. This means that neither logic-level inputs on  $IN_$  nor signals on  $COM_$ ,  $NO_$ , or  $NC_$  can exceed  $\pm 0.3V$ . Voltages beyond  $\pm 0.3V$  cause the internal ESD-protection diodes to conduct, and the parts can be damaged if excessive current flows.

## Grounding

### DC Ground Considerations

Satisfactory high-frequency operation requires that careful consideration be given to grounding. **For most applications, a ground plane is strongly recommended, and all  $GND_$  pins should be connected to it with solid copper.** While the  $V_+$  and  $V_-$  power-supply pins are common to all switches in a given package, each switch has separate ground pins that are not internally connected to each other. This contributes to the overall high-frequency performance and provides added flexibility in some applications, but it can cause problems if it is overlooked. All the  $GND_$  pins have ESD diodes to  $V_+$  and  $V_-$ .

In systems that have separate digital and analog (signal) grounds, connect these switch  $GND_$  pins to analog ground. Preserving a good signal ground is much more important than preserving a digital ground. Ground current is only a few nanoamps.

The logic-level inputs,  $IN_$ , have voltage thresholds determined by  $V_+$  and  $GND_$ . ( $V_-$  does not influence the logic-level threshold.) With  $+5V$  and  $0V$  applied to  $V_+$  and  $GND_$ , the threshold is about  $1.6V$ , ensuring compatibility with TTL- and CMOS-logic drivers.

The various  $GND_$  pins can be connected to separate voltage potentials if any or all of the logic-level inputs is not a normal logic signal. (The  $GND_$  voltages cannot exceed  $(V_+ - 2V)$  or  $V_-$ .) Elevating  $GND_$  reduces off isolation. For example, using the MAX4545, if  $GND2$ – $GND6$  are connected to  $0V$  and  $GND1$  is connected to  $V_-$ , then switches 2, 3, and 4 would be TTL/CMOS compatible, but switch 1 ( $IN1$ ) could be driven with the rail-to-rail output of an op amp operating from  $V_+$  and  $V_-$ . Note, however, that  $IN_$  can be driven more negative than  $GND_$ , as far as  $V_-$ .  $GND_$  does not have to be removed from  $0V$  when  $IN_$  is driven from bipolar sources, but the voltage on  $IN_$  should never exceed  $V_-$ .

$GND_$  should be separated from  $0V$  only if the logic-level threshold has to be changed.

Any  $GND_$  pin not connected to  $0V$  should be bypassed to the ground plane with a surface-mount  $10nF$  capacitor to maintain good RF grounding. DC current in the  $IN_$  and  $GND_$  pins is less than  $1nA$ , but increases with switching frequency.

On the MAX4545 only, two extra ground pins— $GND5$  and  $GND6$ —are provided to improve isolation and crosstalk. They are not connected to the logic-level circuit. These pins should always be connected to the ground plane with solid copper.

### AC Ground and Bypassing

**A ground plane is mandatory for satisfactory high-frequency operation.** (Prototyping using hand wiring or wire-wrap boards is strongly discouraged.) Connect all  $0V$   $GND_$  pins to the ground plane with solid copper. (The  $GND_$  pins extend the high-frequency ground through the package wire-frame, into the silicon itself, thus improving isolation.) The ground plane should be solid metal underneath the device, without interruptions. There should be no traces under the device itself. For DIP packages, this applies to both sides of a two-sided board. Failure to observe this will have a minimal effect on the “on” characteristics of the switch at high frequencies, but it will degrade the off isolation and crosstalk.

All  $V_+$  and  $V_-$  pins should be bypassed to the ground plane with surface-mount  $10nF$  capacitors. For DIP packages, they should be mounted as close as possible to the pins on the same side of the board as the device. Do not use feedthroughs or vias for bypass capacitors. For surface-mount packages, the pins are so close to each other that the bypass capacitors should be mounted on the opposite side of the board from the device. In this case, use short feedthroughs or vias, directly under the  $V_+$  and  $V_-$  pins. Any  $GND_$  pin not connected to  $0V$  should be similarly bypassed. If  $V_-$  is  $0V$ , connect it directly to the ground plane with solid copper. Keep all leads short.

The MAX4547 has two  $V_+$  and  $V_-$  pins. Make DC connections to only one of each to minimize crosstalk. Do not route DC current into one of the  $V_+$  or  $V_-$  pins and out the other  $V_+$  or  $V_-$  pin to other devices. The second set of  $V_+$  and  $V_-$  pins is for AC bypassing only.

For dual-supply operation, the MAX4547 should have four  $10nF$  bypass capacitors connected to each  $V_+$  and  $V_-$  pin, as close to the package as possible. For single-supply operation, the MAX4547 should have two  $10nF$  bypass capacitors connected (one to each  $V_+$  pin), as close to the package as possible.

# Quad/Dual, Low-Voltage, Bidirectional RF/Video Switches

MAX4545/MAX4546/MAX4547

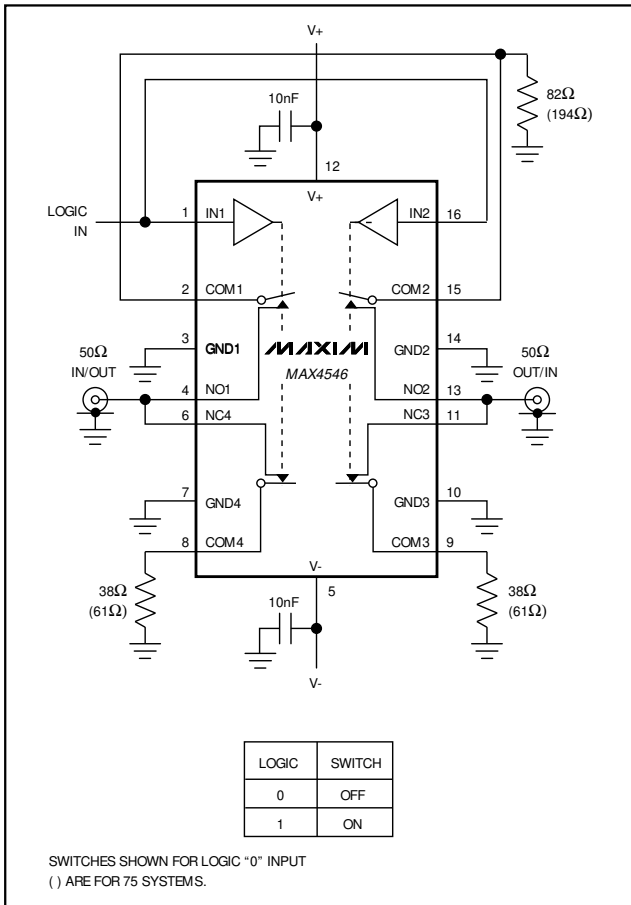


Figure 2. Impedance Matching On/Off Switch

On the MAX4545, GND5 and GND6 should always be connected to the ground plane with solid copper to improve isolation and crosstalk.

### Signal Routing

Keep all signal leads as short as possible. Separate all signal leads from each other and other traces with the ground plane on both sides of the board. Where possible, use coaxial cable instead of printed circuit board traces.

### Board Layout

IC sockets degrade high-frequency performance and should not be used if signal bandwidth exceeds 5MHz. Surface-mount parts, having shorter internal lead frames, provide the best high-frequency performance. Keep all bypass capacitors close to the device, and separate all signal leads with ground planes. Such grounds tend to be wedge-shaped as they get closer to the device. Use vias to connect the ground planes on each side of the board, and place the vias in the apex of the wedge-shaped grounds that separate signal leads. Logic-level signal lead placement is not critical.

### Impedance Matching

The typical on-resistances of the switches in the MAX4545/MAX4546/MAX4547 are 14Ω, but the off-state impedances are approximately equal to a 6pF capacitor. In coaxial systems, therefore, it is impossible to match any impedance for both the on and off state. If impedance matching is critical, the MAX4546 is best suited, since its two sections can be configured as a single on/off switch, as shown in Figure 2. This circuit “wastes” switches and has higher losses, but has better off isolation and maintains good impedance matching in both the on and off states. The resistance values shown in Figure 3 are optimized with ±5V supplies for both 50Ω and 75Ω systems at room temperature.

### Multiplexer

With its excellent off isolation, the MAX4545 is ideal for use in high-frequency video multiplexers. Figure 3 shows such an application for switching any one of four video inputs to a single output. The same circuit may be used as a demultiplexer by simply reversing the signal direction.

Stray capacitance of traces and the output capacitance of switches placed in parallel reduces bandwidth, so the outputs of no more than four individual switches should be placed in parallel if high bandwidth is to be maintained. If more than four mux channels are needed, the 4-channel circuit should be duplicated and cascaded.

# Quad/Dual, Low-Voltage, Bidirectional RF/Video Switches

MAX4545/MAX4546/MAX4547

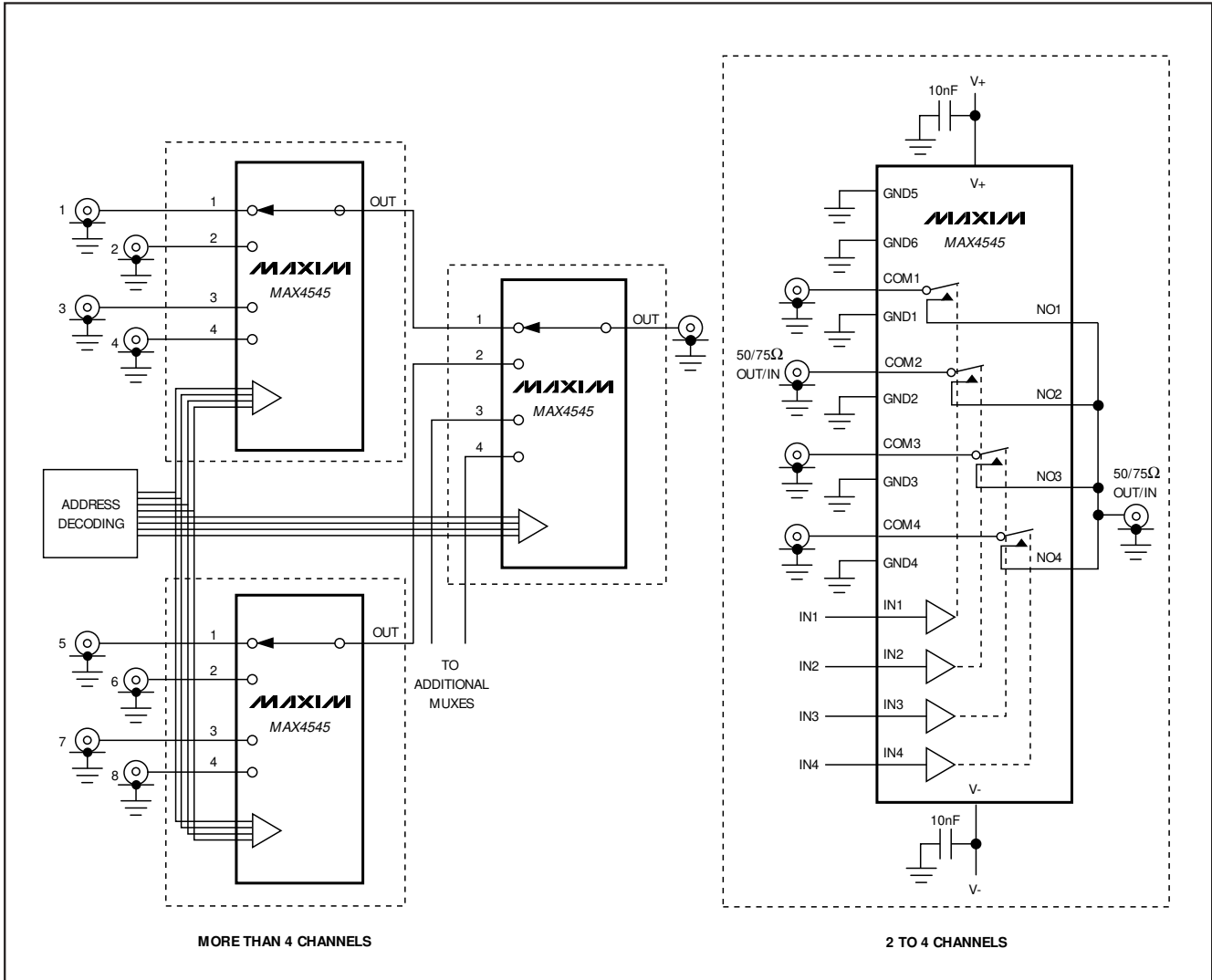


Figure 3. 4-Channel Multiplexer

# Quad/Dual, Low-Voltage, Bidirectional RF/Video Switches

## Test Circuits/Timing Diagrams

MAX4545/MAX4546/MAX4547

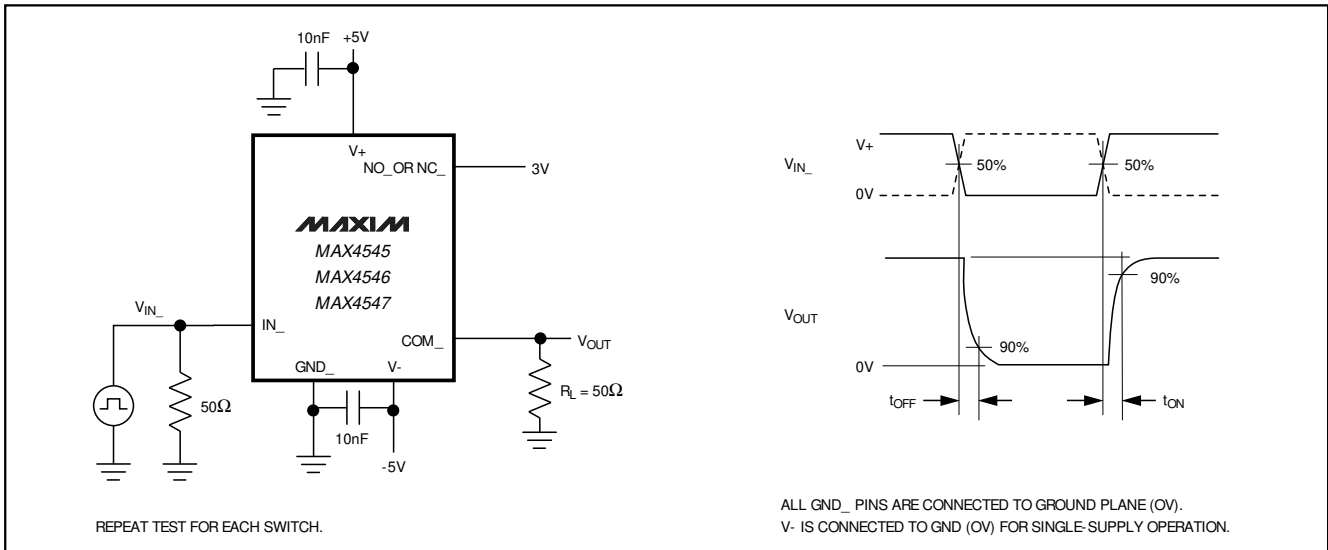


Figure 4. Switching Time

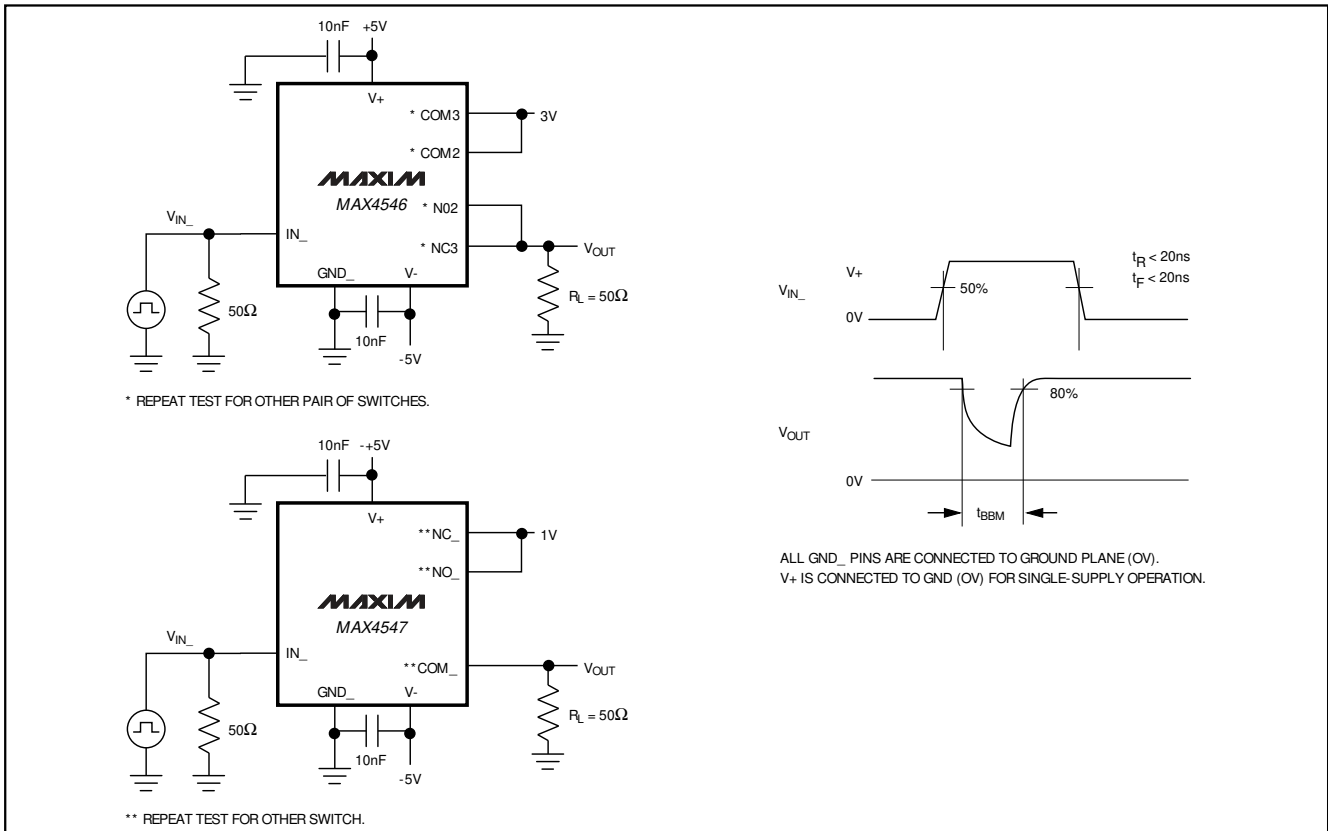


Figure 5. Break-Before-Make Interval (MAX4546/MAX4547 only)

# Quad/Dual, Low-Voltage, Bidirectional RF/Video Switches

## Test Circuits/Timing Diagrams (continued)

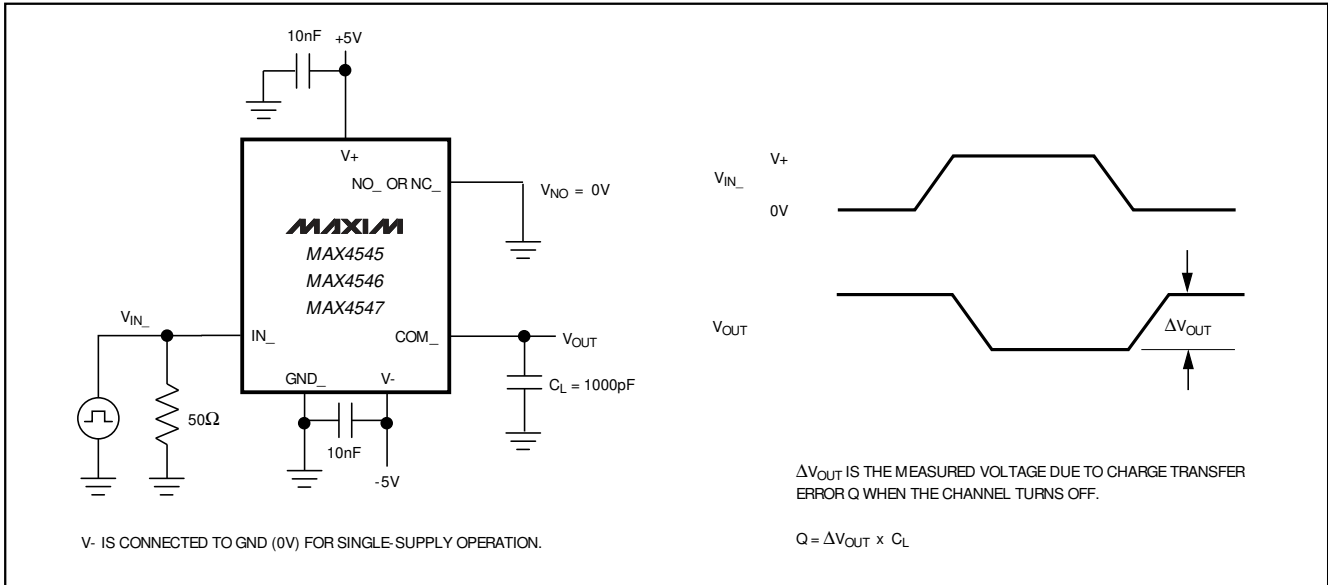


Figure 6. Charge Injection

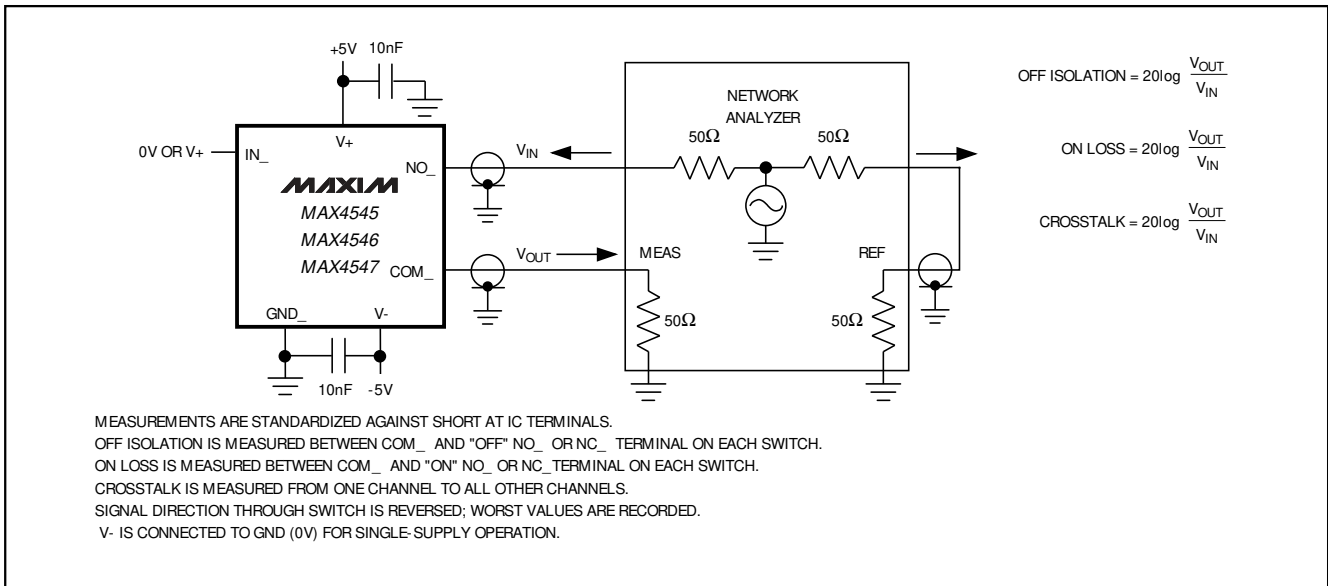
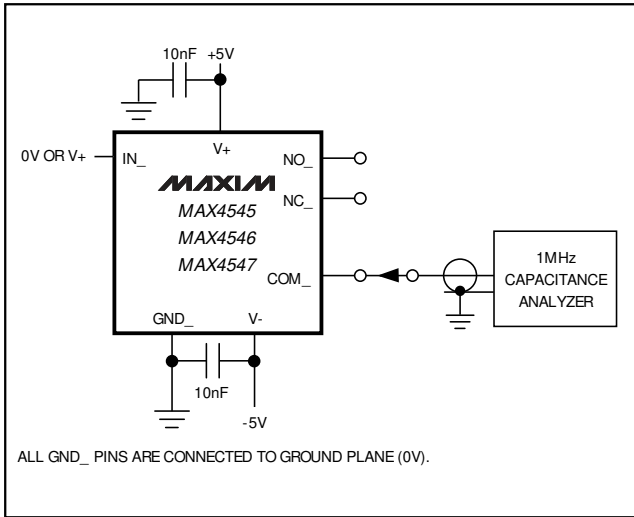


Figure 7. On Loss, Off Isolation, and Crosstalk

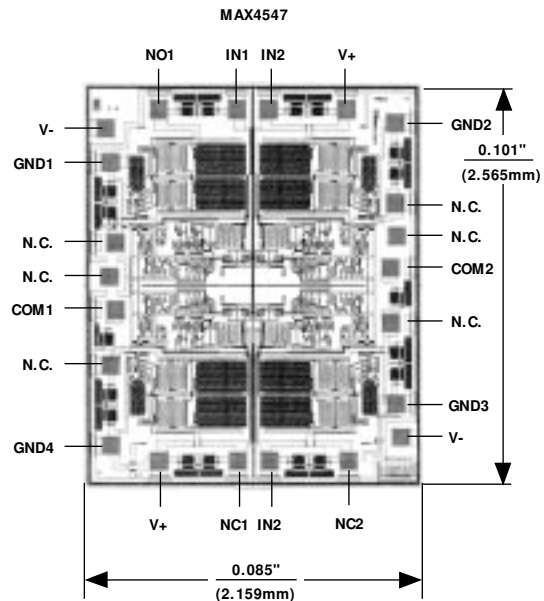
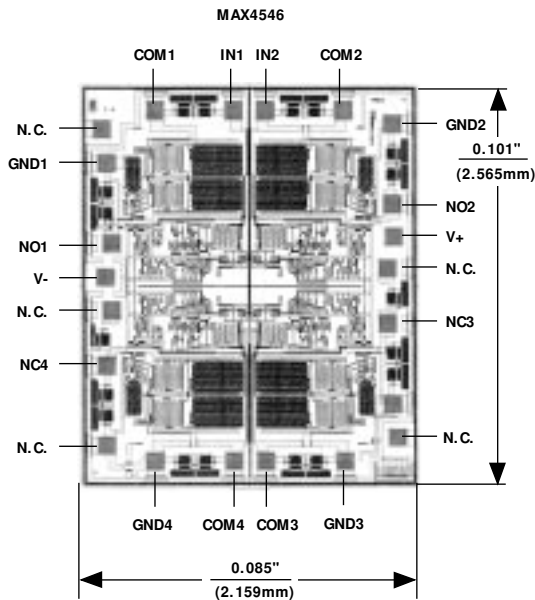
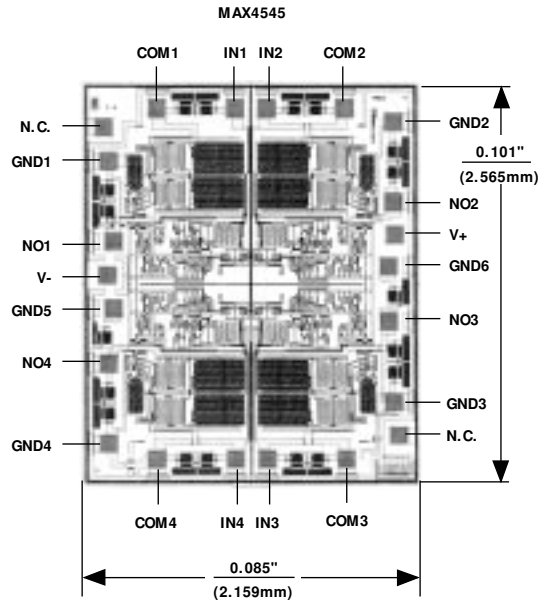
# Quad/Dual, Low-Voltage, Bidirectional RF/Video Switches

MAX4545/MAX4546/MAX4547

## Test Circuits/Timing Diagrams (continued)



## Chip Topographies



N.C. = NO INTERNAL CONNECTION

TRANSISTOR COUNT: 253  
SUBSTRATE INTERNALLY CONNECTED TO V-

# Quad/Dual, Low-Voltage, Bidirectional RF/Video Switches

## Ordering Information (continued)

PART	TEMP. RANGE	PIN-PACKAGE
MAX4545CAP	0°C to +70°C	20 SSOP
MAX4545C/D	0°C to +70°C	Dice*
MAX4545EPP	-40°C to +85°C	20 Plastic DIP
MAX4545EWP	-40°C to +85°C	20 Wide SO
MAX4545EAP	-40°C to +85°C	20 SSOP
<b>MAX4546CPE</b>	0°C to +70°C	16 Plastic DIP
MAX4546CSE	0°C to +70°C	16 Narrow SO
MAX4546CEE	0°C to +70°C	16 QSOP
MAX4546C/D	0°C to +70°C	Dice*
MAX4546EPE	-40°C to +85°C	16 Plastic DIP
MAX4546ESE	-40°C to +85°C	16 Narrow SO

PART	TEMP. RANGE	PIN-PACKAGE
MAX4546EEE	-40°C to +85°C	16 QSOP
<b>MAX4547CPE</b>	0°C to +70°C	16 Plastic DIP
MAX4547CSE	0°C to +70°C	16 Narrow SO
MAX4547CEE	0°C to +70°C	16 QSOP
MAX4547C/D	0°C to +70°C	Dice*
MAX4547EPE	-40°C to +85°C	16 Plastic DIP
MAX4547ESE	-40°C to +85°C	16 Narrow SO
MAX4547EEE	-40°C to +85°C	16 QSOP

\*Contact factory for dice specifications.

## Package Information

DIM	INCHES		MILLIMETERS	
	MIN	MAX	MIN	MAX
A	.061	.068	1.55	1.73
A1	.004	.0098	0.127	0.25
A2	.055	.061	1.40	1.55
B	.008	.012	0.20	0.31
C	.0075	.0098	0.19	0.25
D	SEE VARIATIONS			
E	.150	.157	3.81	3.99
e	.025 BSC		0.635 BSC	
H	.230	.244	5.84	6.20
h	.010	.016	0.25	0.41
L	.016	.035	0.41	0.89
N	SEE VARIATIONS			
S	SEE VARIATIONS			
?	0°	8°	0°	8°

VARIATIONS:

DIM	INCHES		MILLIMETERS		N
	MIN.	MAX.	MIN.	MAX.	
D	.189	.196	4.80	4.98	16   AA
S	.0020	.0070	0.05	0.18	
D	.337	.344	8.56	8.74	20   AB
S	.0500	.0550	1.27	1.40	
D	.337	.344	8.56	8.74	24   AC
S	.0250	.0300	0.64	0.76	
D	.386	.393	9.80	9.98	28   AD
S	.0250	.0300	0.64	0.76	

NOTES:

- D & E DO NOT INCLUDE MOLD FLASH OR PROTRUSIONS
- MOLD FLASH OR PROTRUSIONS NOT TO EXCEED .006"
- CONTROLLING DIMENSIONS: INCHES

PROPRIETARY INFORMATION  
TITLE:  
PACKAGE OUTLINE, QSOP, .150 INCH, .025" LEAD PITCH  
APPROVAL: \_\_\_\_\_ DOCUMENT CONTROL NO: 21-0055 REV: A 1/1

Maxim cannot assume responsibility for use of any circuitry other than circuitry entirely embodied in a Maxim product. No circuit patent licenses are implied. Maxim reserves the right to change the circuitry and specifications without notice at any time.

16 Maxim Integrated Products, 120 San Gabriel Drive, Sunnyvale, CA 94086 (408) 737-7600