



FocusLCDs.com
LCDs MADE SIMPLE®

Ph. 480-503-4295 | NOPP@FocusLCD.com

TFT | CHARACTER | UWVD | FSC | SEGMENT | CUSTOM | REPLACEMENT

Character Display Module

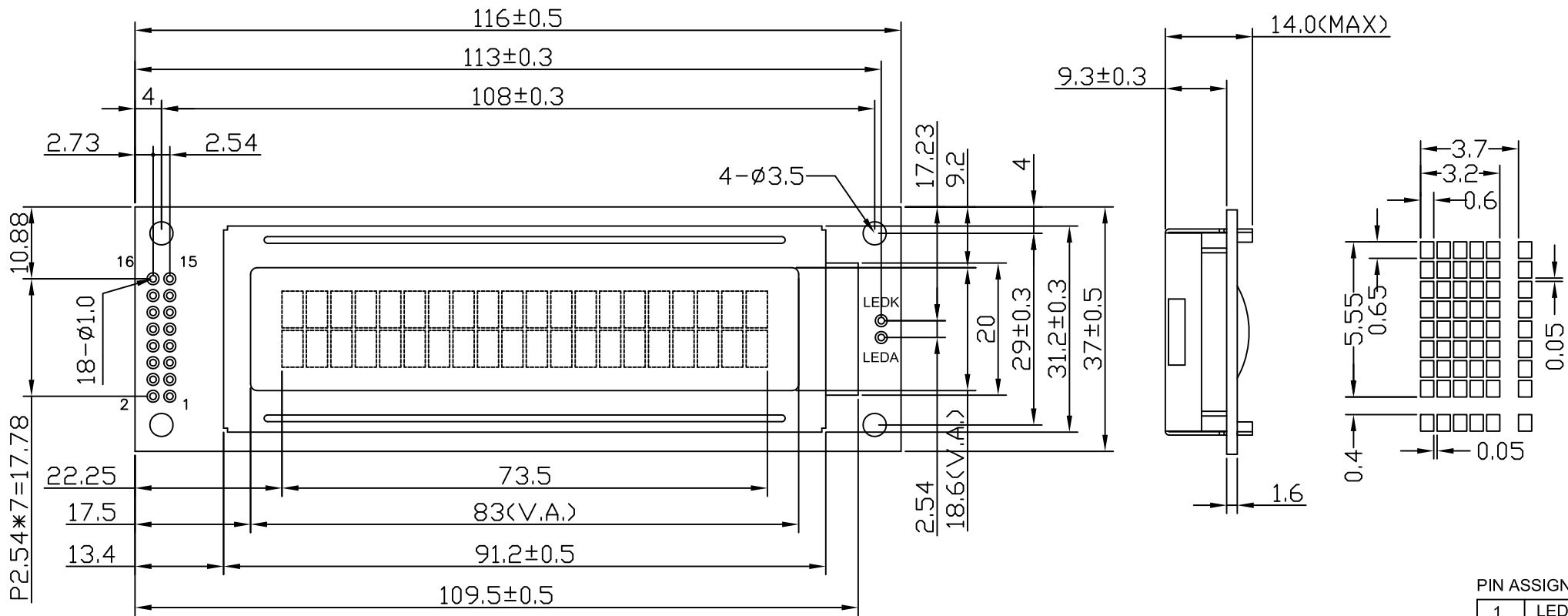
Part Number

C202B-UR-LW65

Overview

Character LCD: 20x2 (116x37), UWVD, Transmissive, Red LED Backlight, Wide Temp (-20°- 70° operating/-30°- 80° storage), Bottom View, 5V LED, 5V LCD, RoHS Compliant. Controller: RW1063

| | | |
|-----|--------------|------------|
| REV | DESCRIPTION: | DATE |
| 1.0 | First | 2020-01-26 |




PIN ASSIGNMENT

| | |
|------|---------|
| 1 | LEDA |
| 2 | LEDK |
| 3 | VSS |
| 4 | VDD |
| 5 | V0 |
| 6 | RS |
| 8 | R/W |
| 9 | E |
| 9~16 | DB0~DB7 |

Notes:

- 1). Driver Method: 1/16duty, 1/5bias, VDD5.0V VLCD5.3V
- 2). Display Type: UWVD/Negative/Transmissive/6:00 Visual Angle
- 3). Operating Temp: -20°C~70°C/Storage Temp: -30°C~80°C
- 4). Backlight Type: Edge/Red/Vled5.0V/15mA
- 5). Driver: RW1063/4bit or 8bit MPU
- 6). RoHS Compliant

| | | | |
|------------------------------|------|--|----------|
| Model Name: C202B-UR-LW65 | |  FOCUS LCDs LCDs MADE SIMPLE® | |
| GENERAL TOL: ± 0.3 | | | |
| APPROVALS | DATE | DRAWN NO. | SCALE: |
| DWN: | | | |
| CHK: | | SIZE: A4 | UNIT: mm |
| APP: | | | Page: |