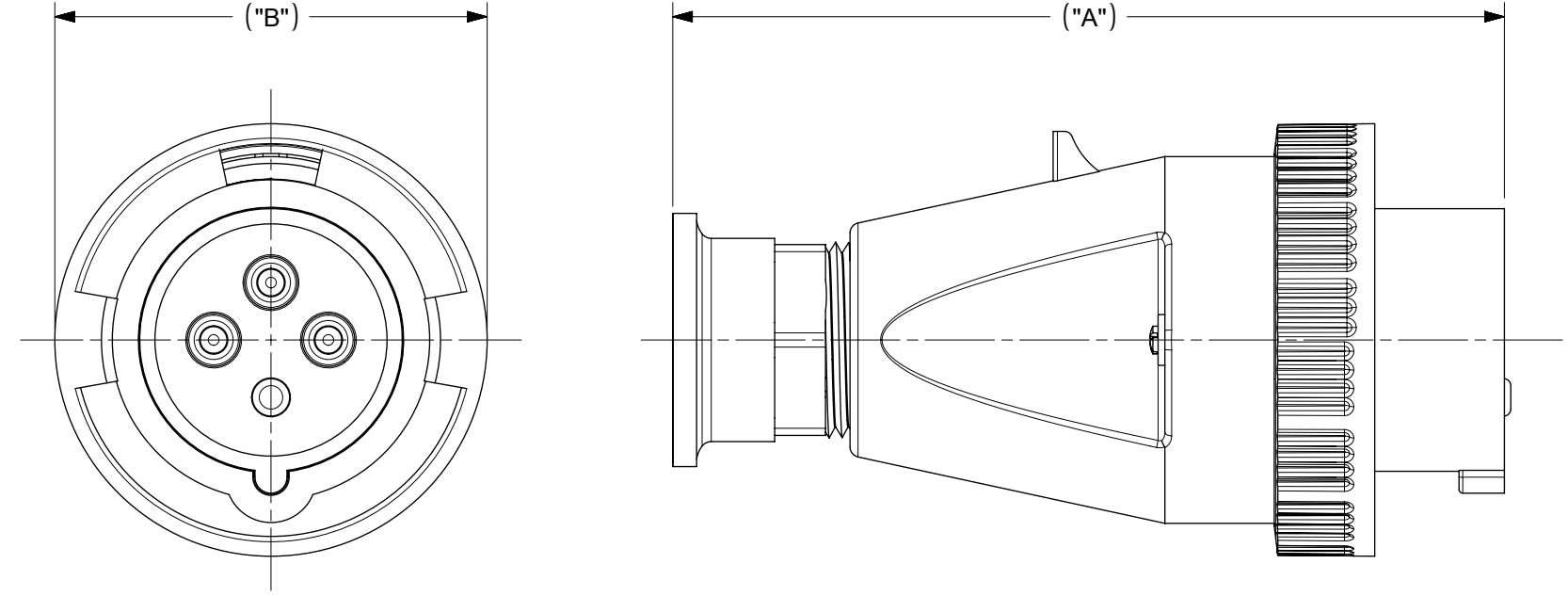
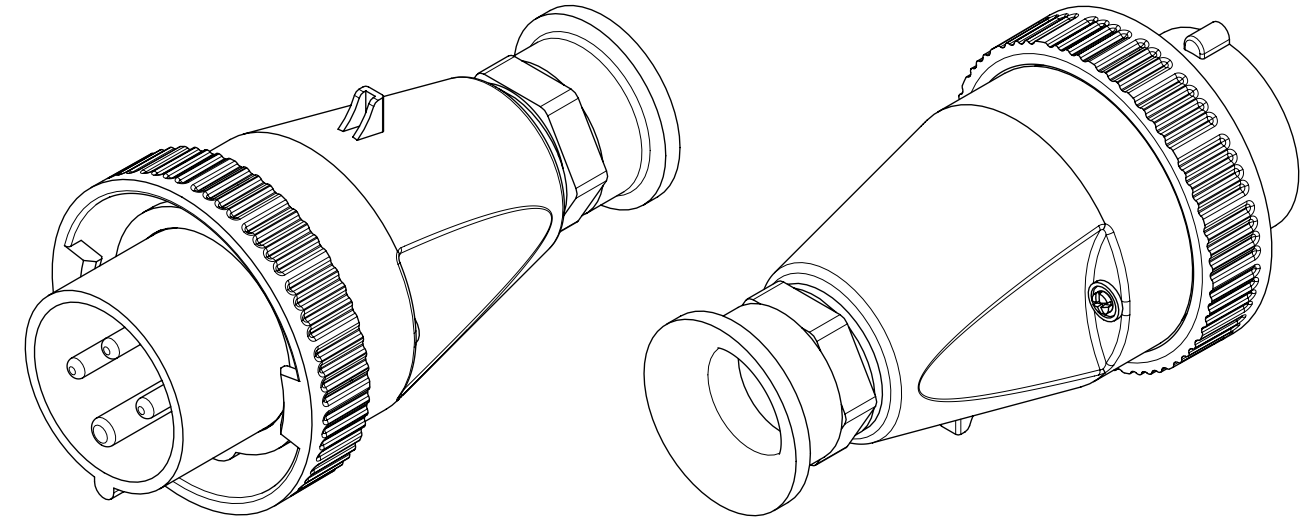


AMPS	TYPE	DIMENSIONS:		CORD GRIP RANGE:
		("A")	("B")	
20	3 WIRE	4.96 [126.0]	2.83 [72.0]	.275 [7.0] - .530 [13.5]
20	4 WIRE	5.20 [132.0]	3.19 [81.0]	.395 [10.0] - .825 [21.0]
30	4 WIRE	6.14 [156.0]	3.78 [96.0]	.650 [16.5] - 1.10 [28.0]
60	3,4 & 5 WIRE	9.57 [243.0]	4.33 [110.0]	.650 [16.5] - 1.50 [38.0]
100	3,4 & 5 WIRE	12.40 [315.0]	5.12 [130.0]	.950 [24.0] - 1.90 [48.0]



NOTES:
 1. THE BELOW WATERTIGHT PIN AND SLEEVE PLUG ARE RATED : IP67.

POLE/WIRE	AMPS	VOLTAGE	MATERIAL No.	ENGINEERING No.	COLOR
2-Pole/3-Wire	20	125	1301500050	320P4W	Yellow
		250	1301500053	320P6W	Blue
125/250		1301500136	420P12W	Orange	
3ø250		1301500142	420P9W	Blue	
3ø480		1301500140	420P7W	Red	
3ø600		1301500138	420P5W	Black	
3-Pole/4-Wire	30	3ø250	1301500173	430P9W	Blue
		3ø480	1301500171	430P7W	Red
		3ø600	1301500169	430P5W	Black
3-Pole/4-Wire	60	125/250	1301500199	460P12W	Orange
		3ø250	1301500205	460P9W	Blue
		3ø480	1301500203	460P7W	Red
3-Pole/4-Wire	100	3ø600	1301500201	460P5W	Black
		125/250	1301500112	4100P12W	Orange
		3ø250	1301500115	4100P9W	Blue
3-Pole/4-Wire	100	3ø480	1301500114	4100P7W	Red
		3ø600	1301500113	4100P5W	Black

FUNCTIONAL SYMBOLS	THIS DRAWING CONTAINS INFORMATION THAT IS PROPRIETARY TO MOLEX ELECTRONIC TECHNOLOGIES, LLC AND SHOULD NOT BE USED WITHOUT WRITTEN PERMISSION			
	DIMENSION UNITS	SCALE	CURRENT REV DESC: NEW SALES DRAWING CREATED	
$\nabla = 0$	INCH/MM	NTS		
$\nabla = 0$	GENERAL TOLERANCES (UNLESS SPECIFIED)			
$\nabla = 0$		MM	INCH	
DIVISIONAL SYMBOLS	4 PLACES	±	±	EC NO: 66118
	3 PLACES	±	±	DRWN: DSOPPIN 2021/04/12
	2 PLACES	±	±	CHK'D: VOU 2021/05/04
	1 PLACE	±	±	APPR: HKNEELAND 2021/05/05
	0 PLACES	±	±	INITIAL REVISION:
	ANGULAR TOL	±	°	DRWN: DRWN BY 0099/99/99
	DRAFT WHERE APPLICABLE MUST REMAIN WITHIN DIMENSIONS		THIRD ANGLE PROJECTION	DRAWING B-SIZE
			SERIES 130150	MATERIAL NUMBER SEE TABLE
				CUSTOMER GENERAL MARKET
				SHEET NUMBER 1 OF 1