

4

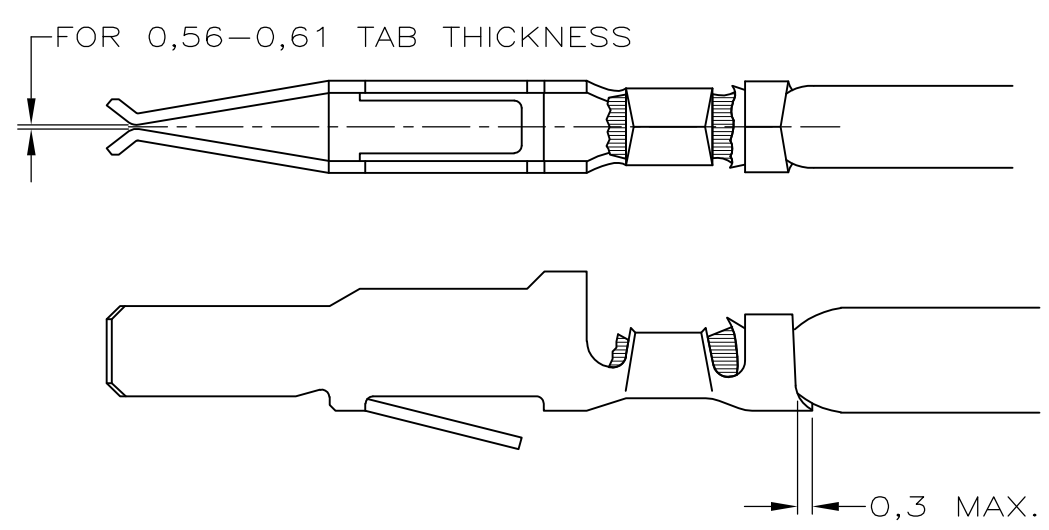
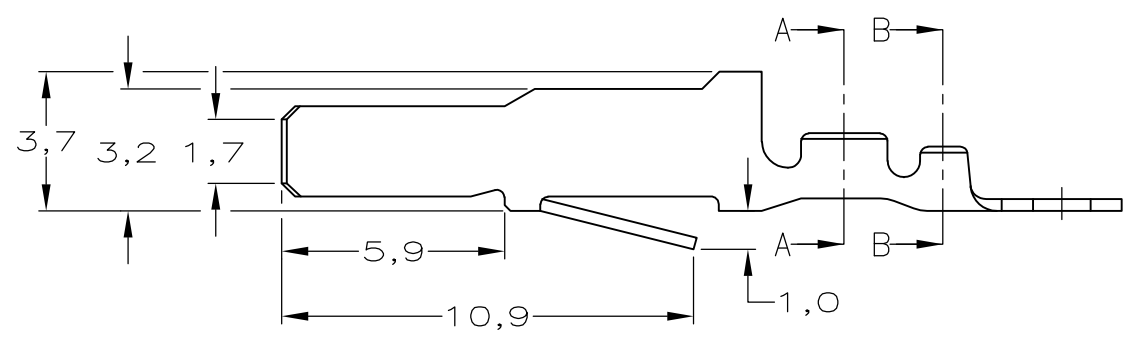
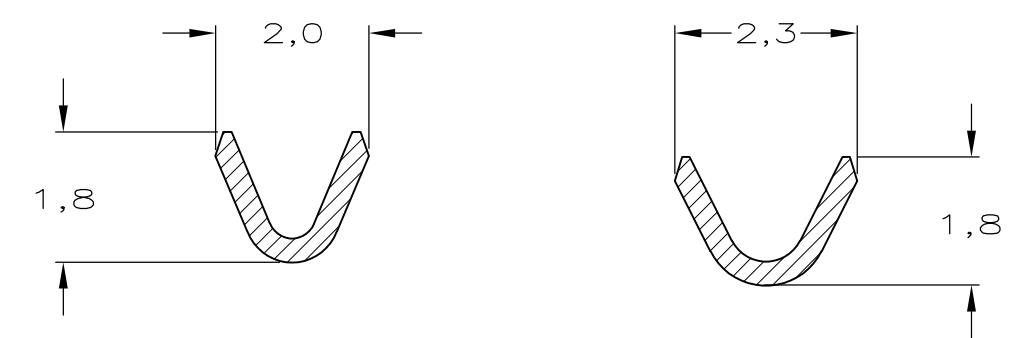
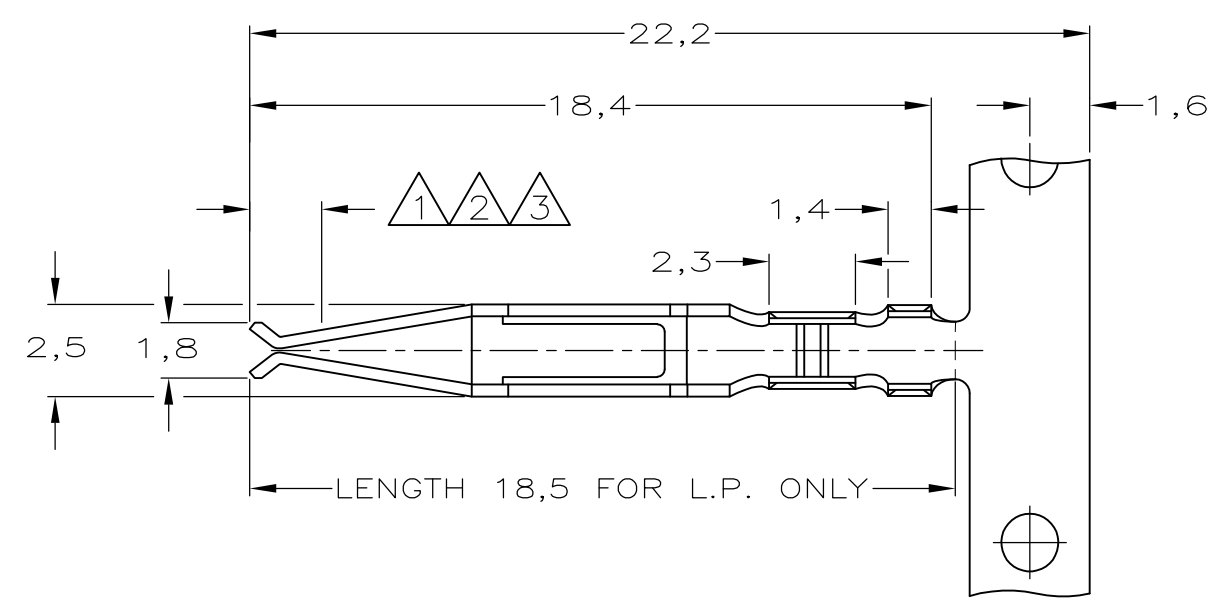
3

2

1

THIS DRAWING IS UNPUBLISHED. RELEASED FOR PUBLICATION  
 © COPYRIGHT - By - ALL RIGHTS RESERVED.

LOC	DIST	REVISIONS					
		P	LTR	DESCRIPTION	DATE	DWN	APVD
			C	EH-1280-95	25-10-95	J.G.	R.v.L
			C1	ECR-10-026542	05JAN11	KK	HMR



NOTES:

- ① 1,25 μm SELECTIVE Au OVER 1,25 μm Ni. REMAINDER 1,25 μm Ni.
- ② 0,75 μm SELECTIVE Au OVER 1,25 μm Ni. REMAINDER 1,25 μm Ni.
- ③ 0,4 μm SELECTIVE Au OVER 1,25 μm Ni. REMAINDER 1,25 μm Ni.
- ④ WIRE RANGE 0,05-0,14 mm<sup>2</sup>, INSULATION RANGE 0,3-0,7 mm.
- ⑤ OBSOLETE

⑤ 166631-3	SEE NOTE ③	PHOSPHORBRONZE	⑤ 166459-4
⑤ 166631-2	SEE NOTE ②	PHOSPHORBRONZE	166459-3
⑤ 166631-1	SEE NOTE ①	PHOSPHORBRONZE	⑤ 166459-2
LOOSE PIECE	FINISH	MATERIAL	PARTNUMBER

THIS DRAWING IS A CONTROLLED DOCUMENT.		DWN J.Gibbels 25-10-95	<b>STE</b> TE Connectivity	
		CHK R.v.Lokven 02-11-95		
DIMENSIONS: mm		APVD -	NAME CRIMP-ON / SNAP-IN TAB RECEPTACLE STRIP	
TOLERANCES UNLESS OTHERWISE SPECIFIED:		PRODUCT SPEC -	SIZE A3	
0 PLC ± -		APPLICATION SPEC -	CAGE CODE 00779	DRAWING NO C-166459
1 PLC ± -		WEIGHT -	RESTRICTED TO -	
2 PLC ± -		CUSTOMER DRAWING		
3 PLC ± -		SCALE -		
4 PLC ± -		SHEET 1 OF 1		
4 PLC ANGLES ± -		REV C1		
FINISH -				