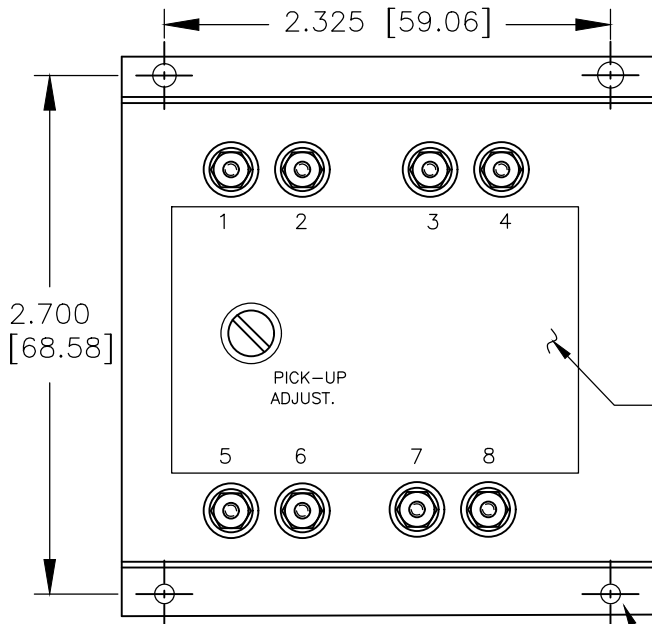


1351-2X CURRENT DIFFERENTIAL RELAY

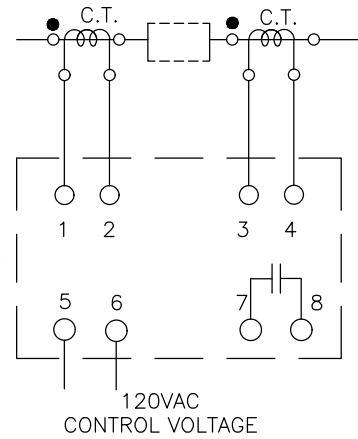
REVISIONS

REV.	ECO	DESCRIPTION	DATE	APPROVED
B	ECO-	-	22AUG2020	TN



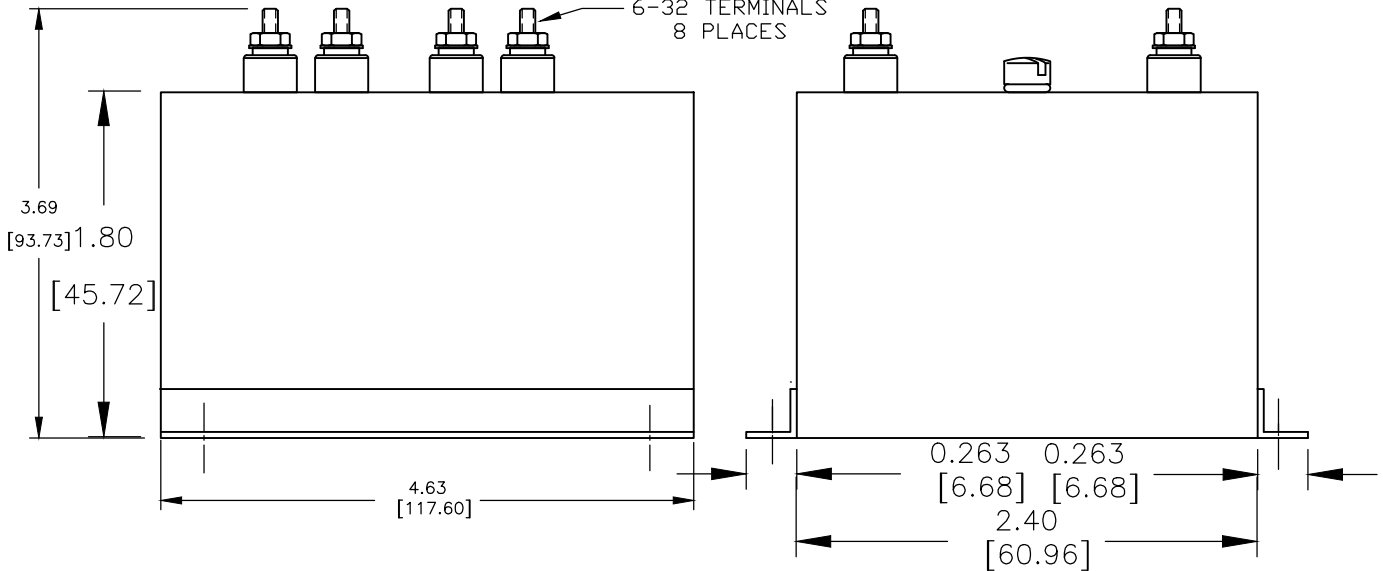
NAMEPLATE AND CONNECTION DIAGRAM

CONNECTIONS



Ø .172 [4.37]  
4 MTG. HOLES

6-32 TERMINALS  
8 PLACES



TITLE

CURRENT DIFFERENTIAL RELAY

TE P.N.

1-1618062-1

DWG NO.

1351-2X

DS DATA SHEET

CAGE CODE  
18741

SCALE  
NONE

SHEET  
1 OF 2


REV  
B

SPECIFICATION

1. INPUT CURRENT : 0 TO 5AMP AC, 50-500HZ.
2. CONTROL VOLTAGE : 120 VOLTS AC , 50-500HZ.
3. OPERATION : THE OUTPUT RELAY WILL REMAIN OPEN WHEN THE TWO CURRENTS ARE EQUAL. THE OUTPUT CONTACTS WILL CLOSE WHEN THE CURRENT DIFFERENTIAL EXCEEDS THE PRESET VALUE.
4. CURRENT DIFFERENTIAL ADJUSTMENT : THE DIFFERENTIAL TRIP POINT IS SCREWDRIVER ADJUSTABLE TO ANY VALUE BETWEEN 0.1 AMP AND 0.5 AMP.
5. TIME DELAY : 2 SECONDS APPROX. ON APPLICATION OF CONTROL VOLTAGE.
6. OUTPUT CONTACTS : SPNO
7. CONTACT RATING : 5 AMP RESISTIVE AT 120 VAC OR 28 VDC.
8. CONSTRUCTION : SOLID STATE SENSOR WITH RELAY OUTPUT ENCLOSED IN A SEALED STEEL CAN.

NOTES:

1. REMOVE SCREW FOR ACCESS TO THE PICK-UP ADJUST.
2. CLOCKWISE ROTATION OF THE ADJUSTMENT POTENTIOMETER WILL RAISE THE DIFFERENTIAL PICK-UP VALUE.

 TE CONNECTIVITY CARPINTERIA, CA 93013		TITLE CURRENT DIFFERENTIAL RELAY			
		TE P.N. 1-1618062-1		DWG NO. 1351-2X	
DS	DATA SHEET	CAGE CODE 18741	SCALE NONE	SHEET 2 OF 2	REV B