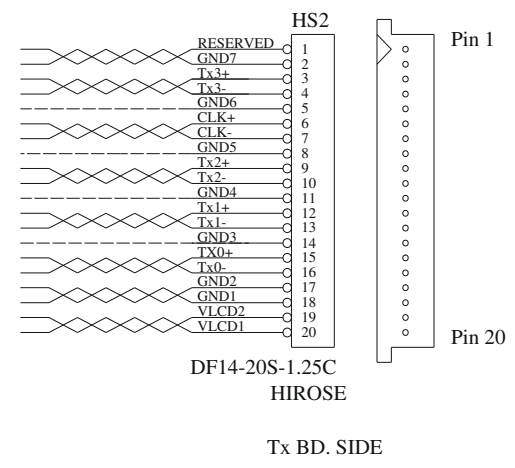
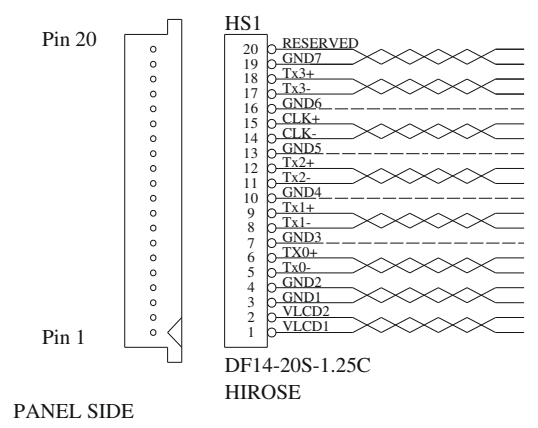
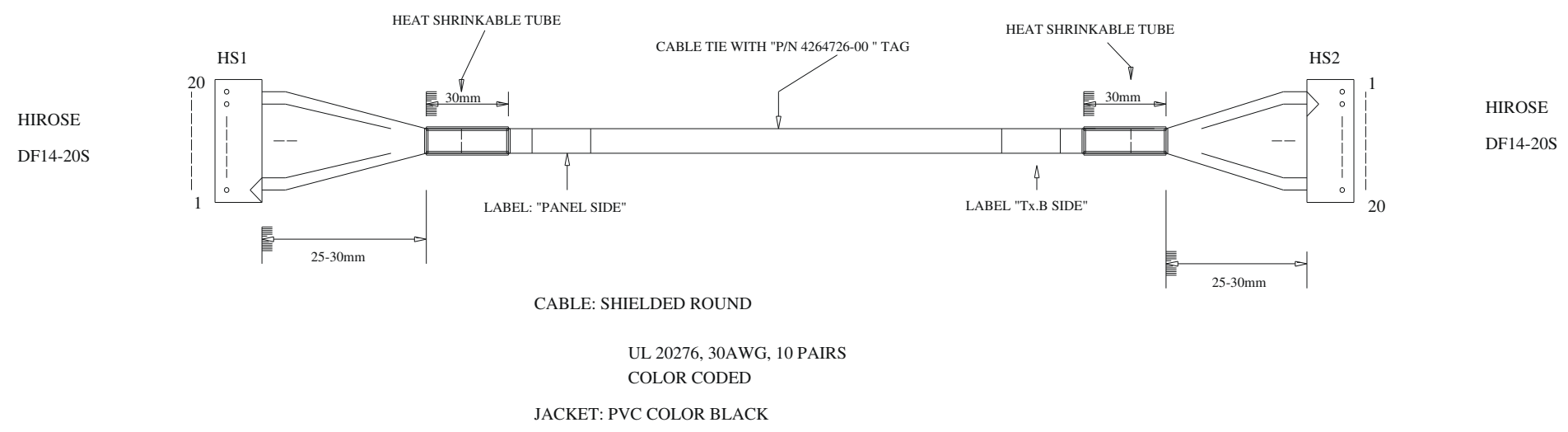
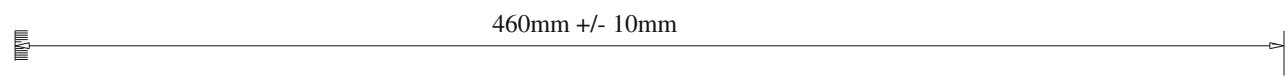


TOLERANCE:
+10mm
-10mm



PANEL SIDE

Tx BD. SIDE



REMARK: LVDS BOARD USED P/N:4162140-00

P/N: 4264726-00
LVDS CABLE: FOR SAMSUNG LTM150XH-L04, 460mm

DIGITAL VIEW LTD. COPYRIGHT 2001, ALL RIGHTS RESERVED CONFIDENTIAL DRAWN BY: DICK CHEUNG		
Title	LVDS CABLE: SAMSUNG LTM150XH-L04, 460mm	
Size	Document Number	REV
B	(G:_DV\DV_CABLE\C6472600.SCH)	00
Date:	February 16, 2001	Sheet 1 of 1