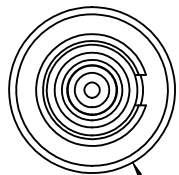


MATERIALS AND FINISHES

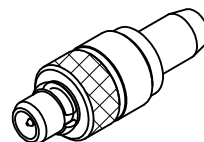
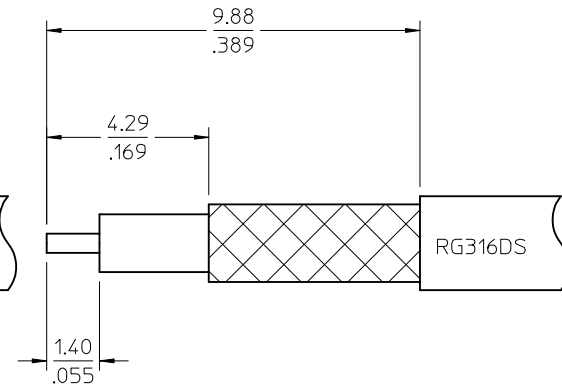
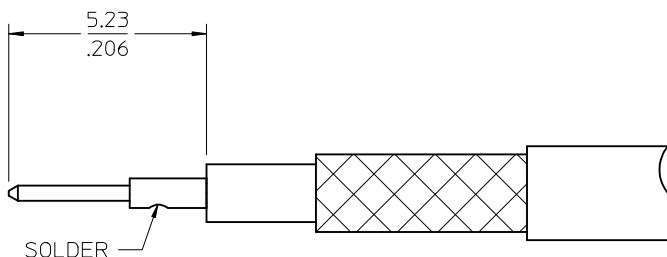
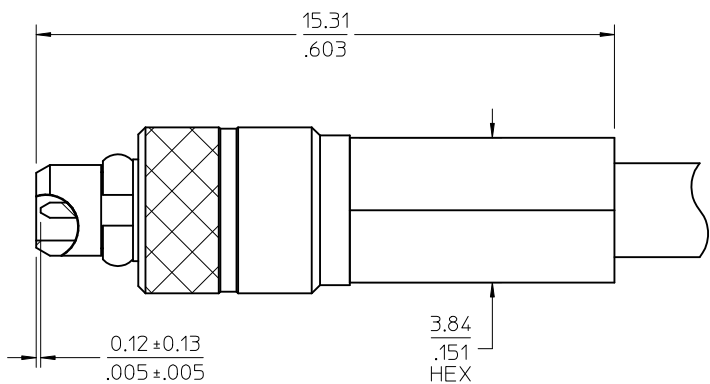
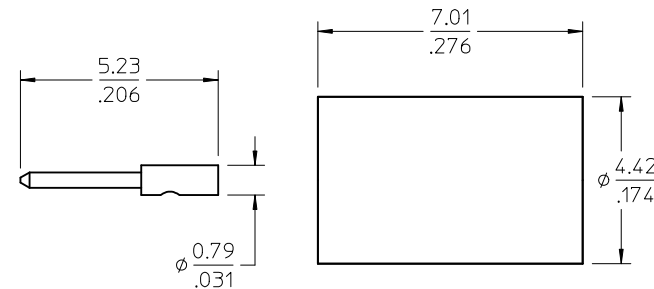
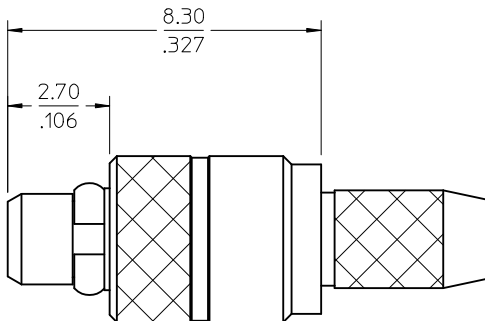
BODY, CONTACT, CRIMP TUBE: BRASS
PLATED GOLD

RING: BERYLLIUM COPPER
PLATED GOLD

INSULATOR: TEFLON



ϕ 4.39
.173



| | | |
|------------|-------------------|---|
| 73415-2132 | COMMERCIAL REQS | 1 PIECE 73415-2131 IN SINGLE BAG WITH LABEL |
| 73415-2131 | COMMERCIAL REQS | STANDARD |
| 73415-2130 | PER MILITARY REQS | STANDARD |
| PART NO. | FINISH | PACKAGING |

| | |
|---------------|-----------------------|
| PS-89675-1920 | PRODUCT SPECIFICATION |
| CECC-22-340 | INTERFACE |
| SPECIFICATION | DESCRIPTION |

| | | |
|--|-------------------------------|--|
| CHG: REDREW IN SD. ADDED -2312 FOR SINGLE BAG OPTION. ADDED CABLE ASSY INSTRUCTIONS. EC NO: URF2011-0576 DRWN: AROBERTSON 2011/04/04 CHKD: SSS 2011/04/04 APPR: JWIENER 2011/04/15 | QUALITY SYMBOLS ▽=0 ▽=0 | GENERAL TOLERANCES (UNLESS SPECIFIED) |
| | A2 | DIMENSION STYLE MM/IN |

| | | | |
|--|--------------------------|---|---------------------------------|
| 4 PLACES ± --- ± --- 3 PLACES ± --- ± --- 2 PLACES ± --- ± --- 1 PLACE ± --- ± --- | DIMENSION STYLE MM/IN | SCALE DESIGN UNITS METRIC | TITLE THIRD ANGLE PROJECTION |
| DRAWN BY AROBERTSON | DATE 2011/04/04 | MMCX PLUG STRAIGHT RD316 50 OHM MMCX-PC | |
| CHECKED BY SSS | DATE 2011/04/04 | MOLEX INCORPORATED | |
| APPROVED BY JWIENER | DATE 2011/04/15 | MATERIAL NO. SEE TABLE | DOCUMENT NO. SD-73415-213 |
| DRAFT WHERE APPLICABLE MUST REMAIN WITHIN DIMENSIONS | | SIZE C | SHEET NO. 1 OF 1 |
| THIS DRAWING CONTAINS INFORMATION THAT IS PROPRIETARY TO MOLEX INCORPORATED AND SHOULD NOT BE USED WITHOUT WRITTEN PERMISSION | | | |