

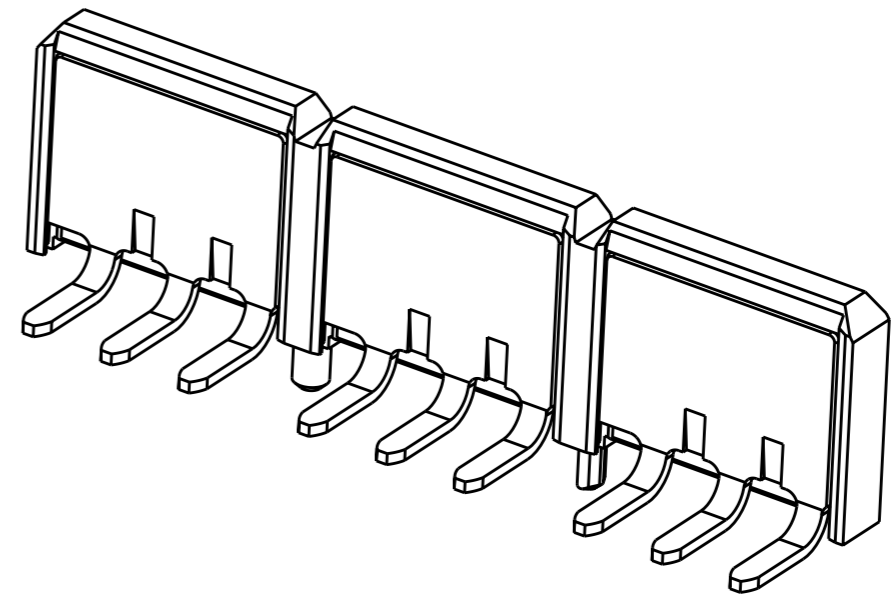
THIS DRAWING IS UNPUBLISHED. RELEASED FOR PUBLICATION 20
 © COPYRIGHT 20 BY TYCO ELECTRONICS CORPORATION. ALL RIGHTS RESERVED.

LOC	DIST	REVISIONS			
P	LTR	DESCRIPTION	DATE	DWN	APVD
GP	00	A	RELEASED PER ECO-09-017897	03AUG2009	RG RL

- PART NUMBER CHANGES AND OR DESIGN CHANGES AFFECTING ITEM INTERCHANGEABILITY REQUIRE PRIOR TYCO ELECTRONICS APPROVAL AND AUTHORIZATION BY REVISION TO THIS DRAWING.
- ITEMS PROVIDED TO THIS SPECIFICATION TO BE BAGGED AND TAG IDENTIFIED PER THE FOLLOWING IDENTIFIER:
 YEAR WEEK

TYCO ELECTRONICS P/N DATE CODE (e.g. 0425)
 XXXXXXXX-X XXXX

- 3 MATERIALS:
 INSULATOR: THERMOPLASTIC, HIGH TEMPERATURE, GLASS REINFORCED
 COLOR: BLACK, UL94V-0 FLAMMABILITY
 CONTACTS: COPPER ALLOY
- 4 FINISH:
 CONTACT: SELECTIVELY GOLD PLATE 0.76µm MIN. THK. OVER NICKEL 1.27µm MIN THK.
 SOLDER TAILS: TIN PLATE 3.05µm MIN THK. OVER NICKEL 1.27µm MIN THK.
- 5. A REFERENCE DIMENSION (.XXX) IS WITHOUT TOLERANCE AND USED FOR INFORMATION PURPOSES ONLY.
- 6. SEE DRAWING C-6651712 FOR MATING SOCKET CONNECTOR.
- 7 DATUMS AND BASIC DIMENSIONS ESTABLISHED BY CUSTOMER.
- 8 PART IS SYMMETRICAL AND IS NOT INTENDED TO BE ORIENTED WHEN APPLIED TO PC BOARD.



AS SHOWN	2085196-1
DESCRIPTION	PART NO.

<small>THIS DRAWING IS A CONTROLLED DOCUMENT FOR TYCO ELECTRONICS CORPORATION IT IS SUBJECT TO CHANGE AND THE CONTROLLING ENGINEERING ORGANIZATION SHOULD BE CONTACTED FOR THE LATEST REVISION.</small>		DWN 13MARCH2009 R. GRZYBOWSKI CHK 13MARCH2009 R. LANDON APVD 13MARCH2009 M. PERCHERKE	Tyco Electronics Tyco Electronics Harrisburg, PA 17105-3608
DIMENSIONS: mm 	TOLERANCES UNLESS OTHERWISE SPECIFIED: 0 PLC ±- 1 PLC ±0.5 2 PLC ±0.25 3 PLC ±- 4 PLC ±- ANGLES ±2	NAME MC-P3S0 MINI CROWN EDGE BLADE CONNECTOR, SURFACE MOUNT SHORTENED, SPECIAL	RESTRICTED TO IBM
MATERIAL	FINISH	PRODUCT SPEC - APPLICATION SPEC - WEIGHT -	SIZE A3 CAGE CODE 00779 DRAWING NO C-2085196 RESTRICTED CUSTOMER
		SCALE 5:1 SHEET 1 OF 3	REV A

4

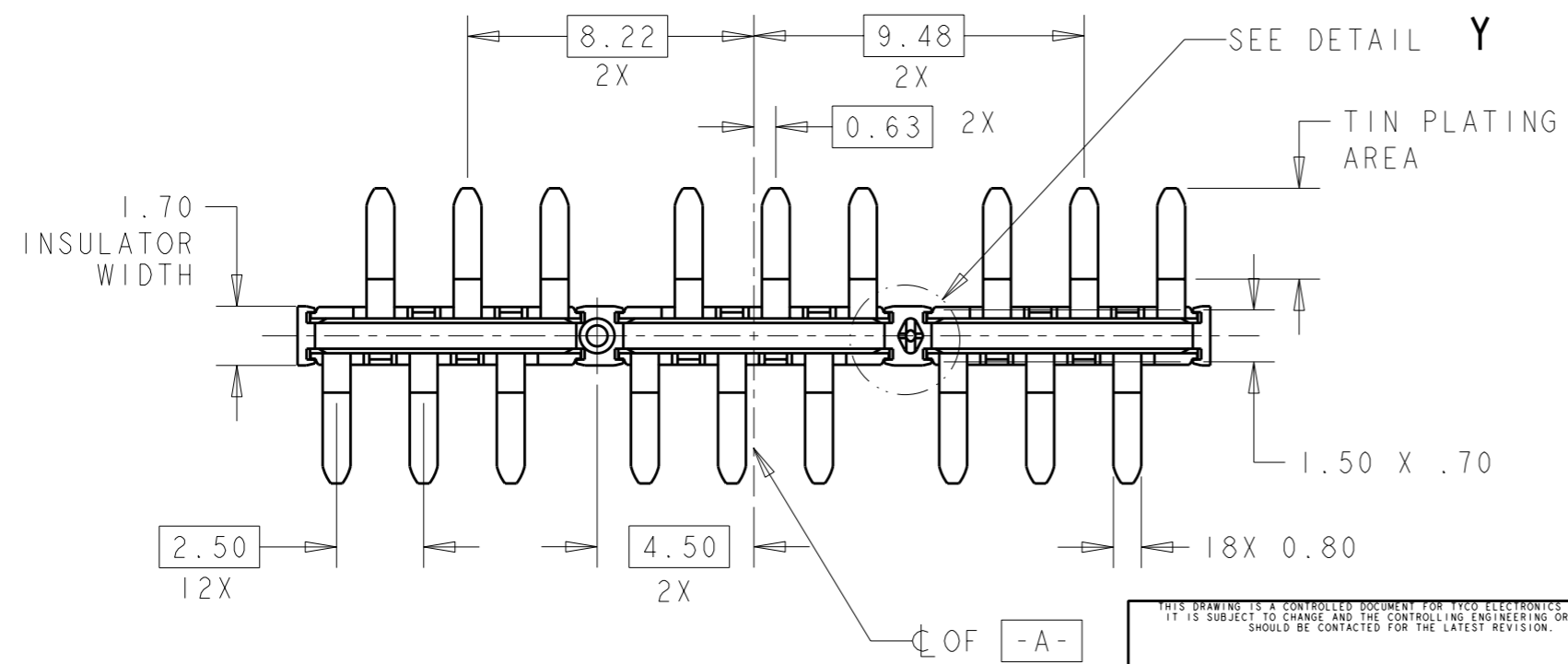
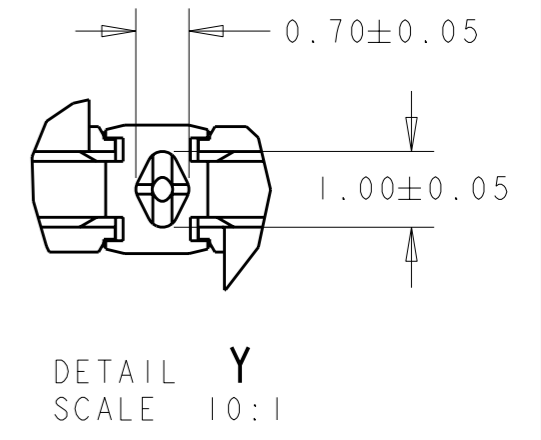
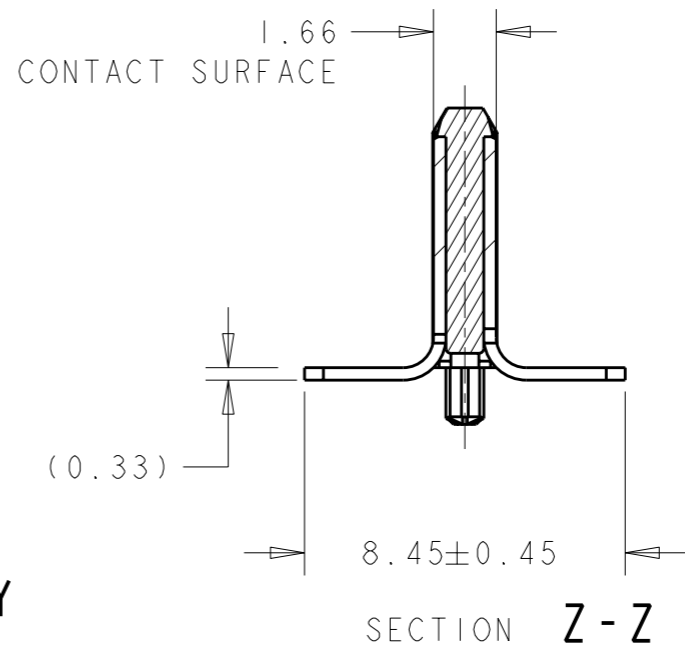
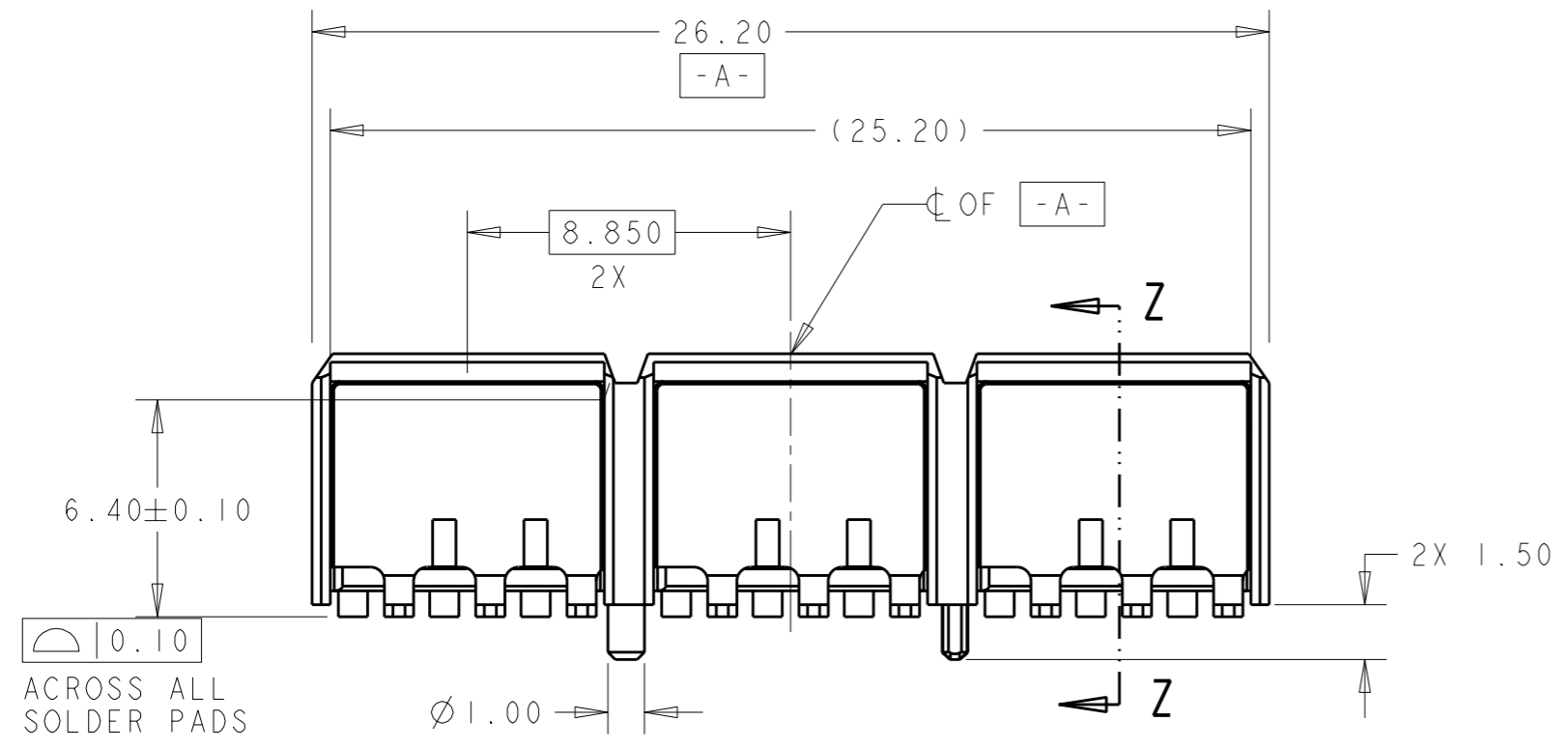
3

2

1

THIS DRAWING IS UNPUBLISHED. RELEASED FOR PUBLICATION 20
 © COPYRIGHT 20 BY TYCO ELECTRONICS CORPORATION. ALL RIGHTS RESERVED.

LOC	DIST	REVISIONS			
P	LTR	DESCRIPTION	DATE	DWN	APVD
GP	00	-	SEE SHEET 1	-	-



THIS DRAWING IS A CONTROLLED DOCUMENT FOR TYCO ELECTRONICS CORPORATION
 IT IS SUBJECT TO CHANGE AND THE CONTROLLING ENGINEERING ORGANIZATION
 SHOULD BE CONTACTED FOR THE LATEST REVISION.

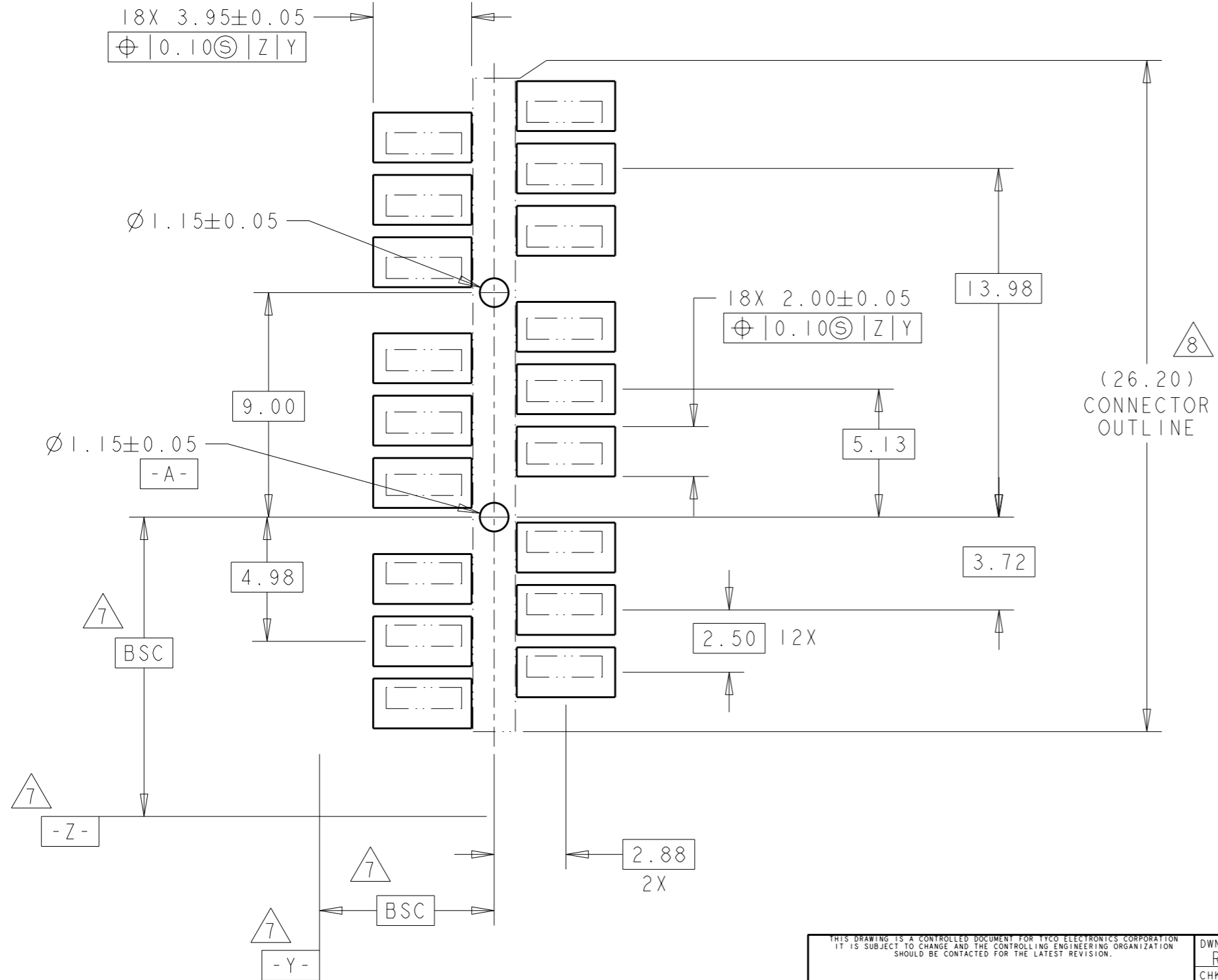
DIMENSIONS:	TOLERANCES UNLESS OTHERWISE SPECIFIED:
mm	0 PLC ±
	1 PLC ±0.5
	2 PLC ±0.25
	3 PLC ±
	4 PLC ±
	ANGLES ±2
MATERIAL -	FINISH -

DWN	13MARCH2009
R. GRZYBOWSKI	
CHK	13MARCH2009
R. LANDON	
APVD	13MARCH2009
M. PERCHERKE	
PRODUCT SPEC	-
APPLICATION SPEC	-
WEIGHT	-
CUSTOMER DRAWING	

		Tyco Electronics Harrisburg, PA 17105-3608	
NAME MC-P3S0 MINI CROWN EDGE BLADE CONNECTOR, SURFACE MOUNT SHORTENED, SPECIAL			
SIZE	CAGE CODE	DRAWING NO	RESTRICTED TO
A3	00779	C-2085196	-
SCALE 5:1		SHEET 2 OF 3	REV A

THIS DRAWING IS UNPUBLISHED. RELEASED FOR PUBLICATION 20
 © COPYRIGHT 20 BY TYCO ELECTRONICS CORPORATION. ALL RIGHTS RESERVED.

LOC	DIST	REVISIONS				
P	LTR	DESCRIPTION	DATE	DWN	APVD	
GP	00	-	SEE SHEET 1	-	-	



RECOMMENDED SOLDER LAND GUIDELINE
 AS VIEWED FROM CONNECTOR SIDE

<small>THIS DRAWING IS A CONTROLLED DOCUMENT FOR TYCO ELECTRONICS CORPORATION IT IS SUBJECT TO CHANGE AND THE CONTROLLING ENGINEERING ORGANIZATION SHOULD BE CONTACTED FOR THE LATEST REVISION.</small>		DWN 13MARCH2009 R. GRZYBOWSKI CHK 13MARCH2009 R. LANDON APVD 13MARCH2009 M. PERCHERKE		Tyco Electronics Harrisburg, PA 17105-3608	
DIMENSIONS: mm		TOLERANCES UNLESS OTHERWISE SPECIFIED: 0 PLC ±- 1 PLC ±0.5 2 PLC ±0.25 3 PLC ±- 4 PLC ±- ANGLES ±2		NAME MC-P3S0 MINI CROWN EDGE BLADE CONNECTOR, SURFACE MOUNT SHORTENED, SPECIAL	
MATERIAL -		FINISH -		PRODUCT SPEC - APPLICATION SPEC - WEIGHT -	
		CUSTOMER DRAWING		SIZE A3 CAGE CODE 00779 DRAWING NO C-2085196	RESTRICTED TO -
		SCALE 5:1		SHEET 3 OF 3 REV A	