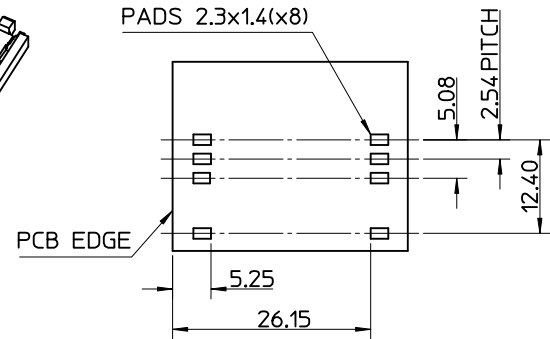
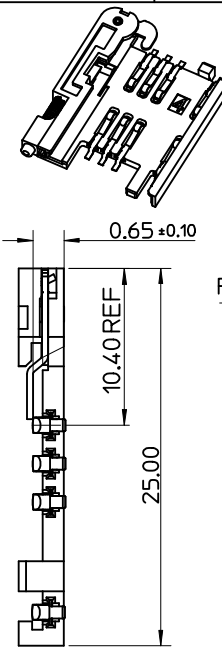
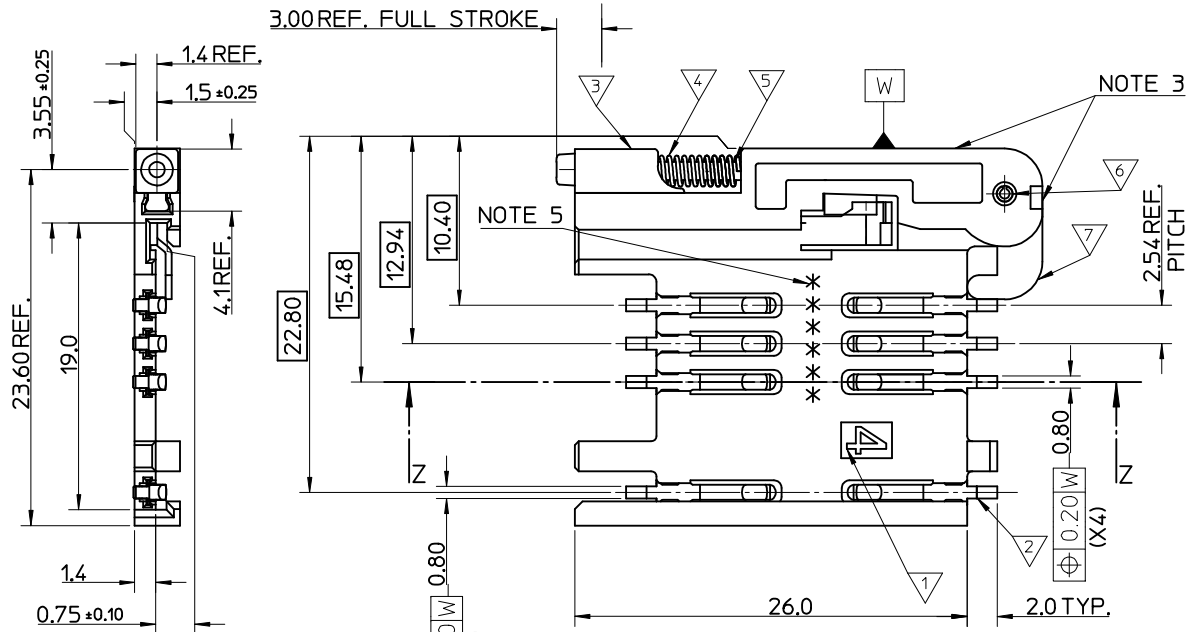


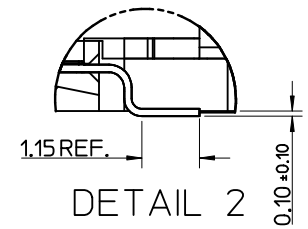
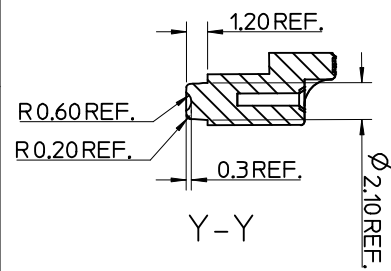
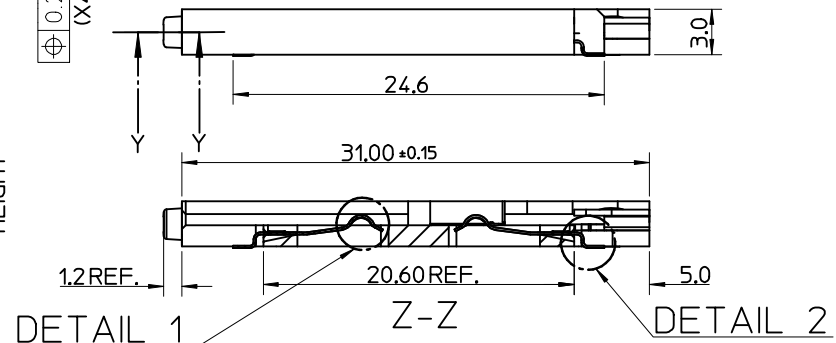
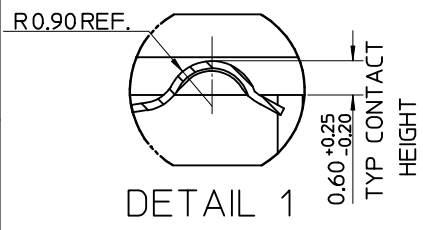
MATERIAL NUMBER	DESCRIPTION
912283001	REELED ONTO CARDBOARD REEL
912283019	REELED ONTO PLASTIC REEL



RECOMMENDED PCB LAYOUT
(COMPONENT SIDE)

- NOTES:
- SEE PRODUCT SPECIFICATION PS-99020-0071.
 - PACKAGING: TAPE & REEL, FOR DETAIL SEE SDA-91228-9001, SHEET 1
 - PUSH ROD/LEVER MUST NOT PROTRUDE BEYOND HOUSING EDGE IN THIS AREA.
 - TAILS ON EACH SIDE OF CONNECTOR TO LIE WITHIN 0.12 mm OF EACH OTHER
 - DATECODE: (YEAR, WEEK, WEEK, DAY, HOUR, HOUR)

ITEM	COMPONENT	QTY	MATERIAL
▽	HOUSING	1	LIQUID CRYSTAL POLYMER (LCP) 30% GLASS FILL, JL94 V-O, COLOUR: BLACK
▽	TERMINAL	8	0.15 PHOSPHOR BRONZE, 0.14µm MIN Au OVER Pd/Ni IN CONTACT AREA 2.54µm MIN Sn ON SMT TAILS
▽	PUSH BUTTON	1	GF POLYAMIDE 6T/66, YELLOW
▽	COIL SPRING	1	0.25 REF THK STAINLESS STEEL
▽	PUSH ROD	1	0.4 REF THK STAINLESS STEEL
▽	C-PIN	1	STEEL
▽	LEVER	1	0.4 REF THK STAINLESS STEEL



OBSOLETE P/N
EC NO: IPG2017-0662
DRW: KOBRIEN01 2017/01/10
CHKD:
APPR: STGRIFFIN 2017/03/24

QUALITY SYMBOLS
▽ = 0
◻ = 0

GENERAL TOLERANCES (UNLESS SPECIFIED)

	mm	INCH
4 PLACES	± ---	± ---
3 PLACES	± ---	± ---
2 PLACES	± 0.05	± ---
1 PLACE	± 0.1	± ---

ANGULAR ± 2 °

DRAFT WHERE APPLICABLE MUST REMAIN WITHIN DIMENSIONS

DIMENSION STYLE
MM ONLY

SCALE
5:1

DESIGN UNITS
METRIC

THIRD ANGLE PROJECTION

DRAWN BY: RFORREY
DATE: 2006/11/27

CHECKED BY: FDUGGAN
DATE: 2006/11/27

APPROVED BY: EFOLAN
DATE: 2006/11/27

MATERIAL NO.
SEE TABLE

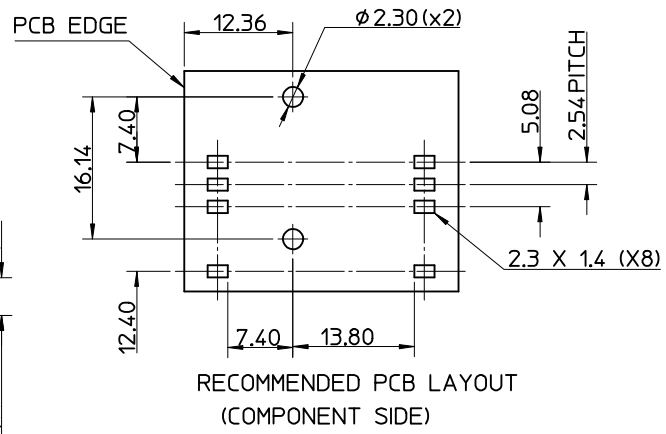
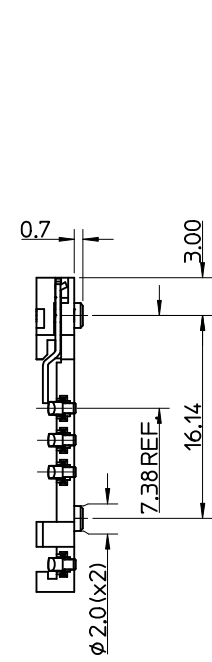
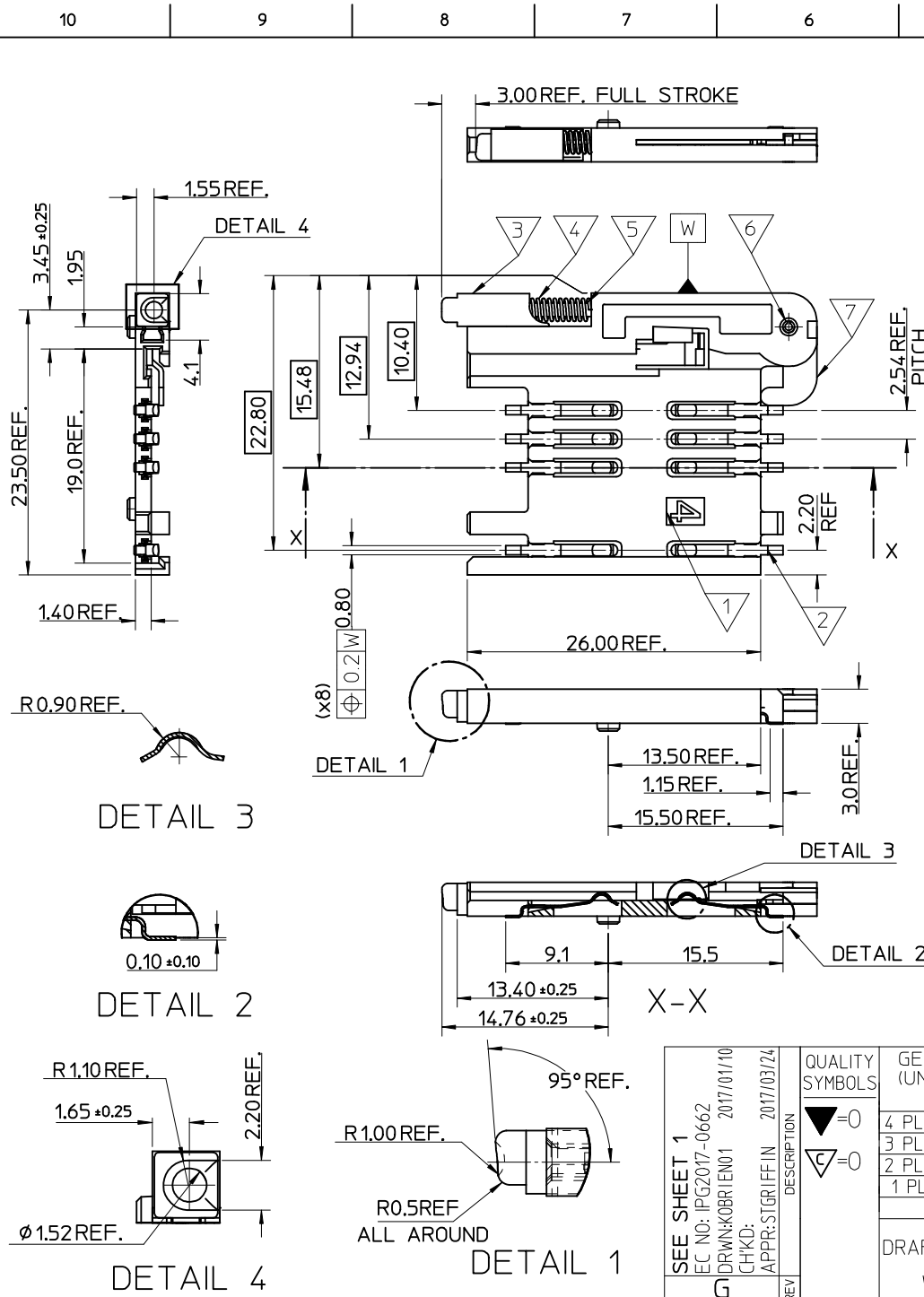
TITLE
SIM CONNECTOR ASSY

MOLEX INCORPORATED

DOCUMENT NO. SD-91228-001

SHEET NO. 1 OF 5

THIS DRAWING CONTAINS INFORMATION THAT IS PROPRIETARY TO MOLEX INCORPORATED AND SHOULD NOT BE USED WITHOUT WRITTEN PERMISSION



- NOTES:
1. SEE PRODUCT SPECIFICATION PS-99020-0071.
 2. PACKAGING: TAPE & REEL, FOR DETAIL SEE SDA-91228-9001, SHEET 1
 3. FOR ALL UNSPECIFIED DIMENSIONS AND NOTES SEE SHEET 1.

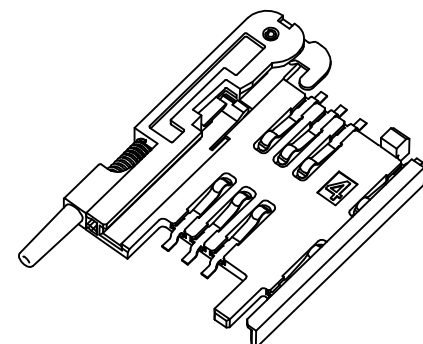
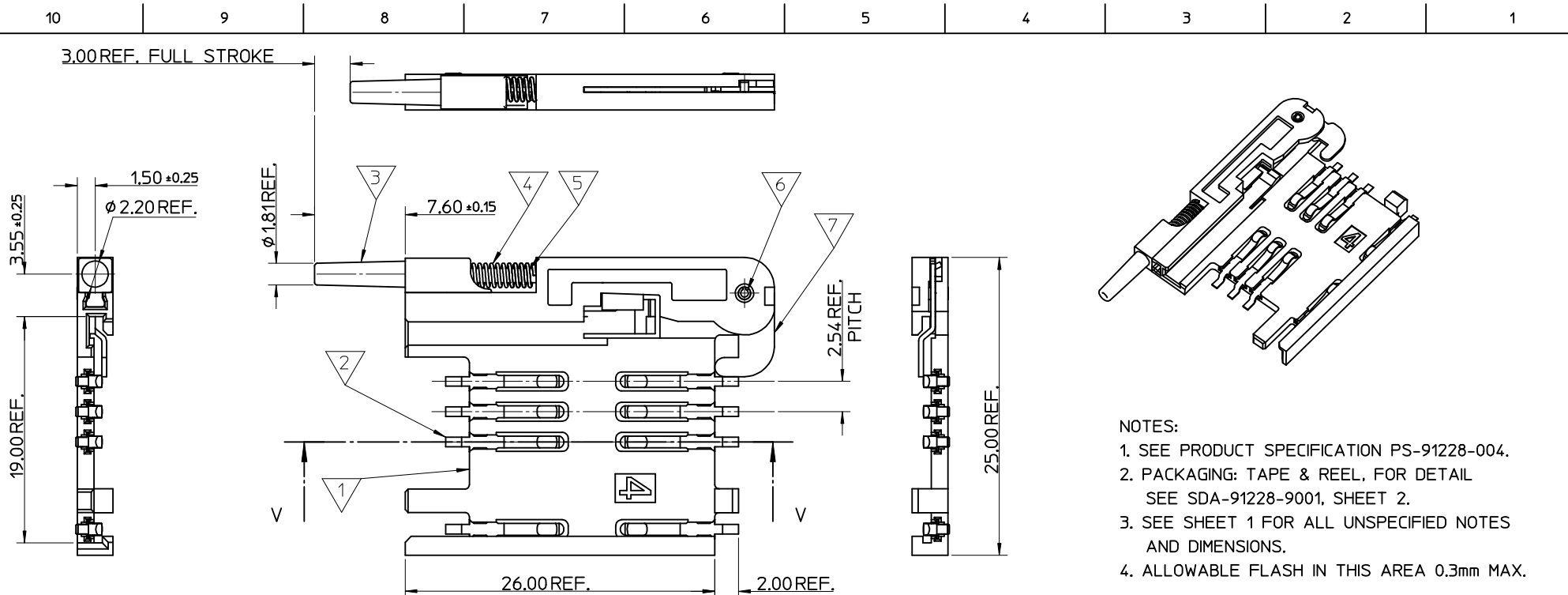
ITEM	COMPONENT	QTY	MATERIAL
▽	HOUSING		LIQUID CRYSTAL POLYMER (LCP) 30% GLASS FILL, UL94 V-0, COLOUR: BLACK
▽	TERMINAL		0.15 PHOSPHOR BRONZE. 0.14mm MIN Au OVER Pd/Ni IN CONTACT AREA 2.54mm MIN Sn ON SMT TAILS
▽	PUSH BUTTON		GF POLYAMIDE 6T/66. BLACK.
▽	COIL SPRING		0.25 REF THK STAINLESS STEEL
▽	PUSH ROD		0.4 REF THK STAINLESS STEEL
▽	C-PIN		STEEL
▽	LEVER		0.4 REF THK STAINLESS STEEL

SEE SHEET 1	QUALITY SYMBOLS
EC NO: IPG2017-0662	▽=0
DRWN: KOBRI/EN01 2017/01/10	▽=0
CHKD:	
APPR: STGR/FFIN 2017/03/24	
REV	DESCRIPTION

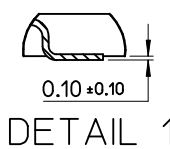
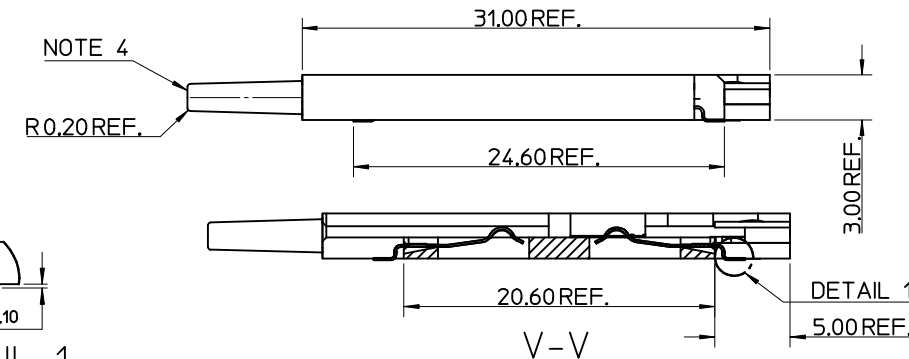
GENERAL TOLERANCES (UNLESS SPECIFIED)	
4 PLACES	± 0.15
3 PLACES	± 0.20
2 PLACES	± 0.25
1 PLACE	± 0.30
ANGULAR ± 2°	
DRAFT WHERE APPLICABLE MUST REMAIN WITHIN DIMENSIONS	

DIMENSION STYLE		SCALE	DESIGN UNITS	THIRD ANGLE PROJECTION
MM ONLY		5:1	METRIC	
DRAWN BY	DATE	TITLE		
RFORREY	2006/11/27	SIM CONNECTOR ASSY		
CHECKED BY	DATE			
FUGGAN	2006/11/27			
APPROVED BY	DATE			
EFOLAN	2006/11/27			
MATERIAL NO.	DOCUMENT NO.			
912283002	SD-91228-001			
SIZE	THIS DRAWING CONTAINS INFORMATION THAT IS PROPRIETARY TO MOLEX INCORPORATED AND SHOULD NOT BE USED WITHOUT WRITTEN PERMISSION			
A3				

MATERIAL NO.		DOCUMENT NO.		SHEET NO.
912283002		SD-91228-001		2 OF 5

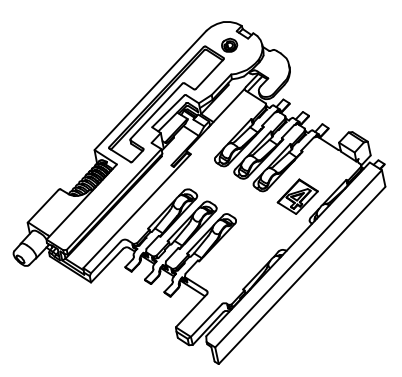
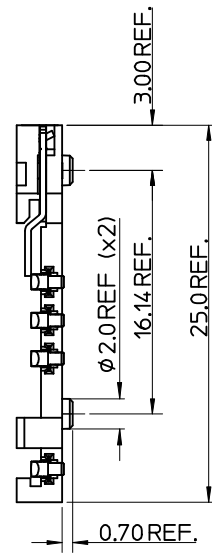
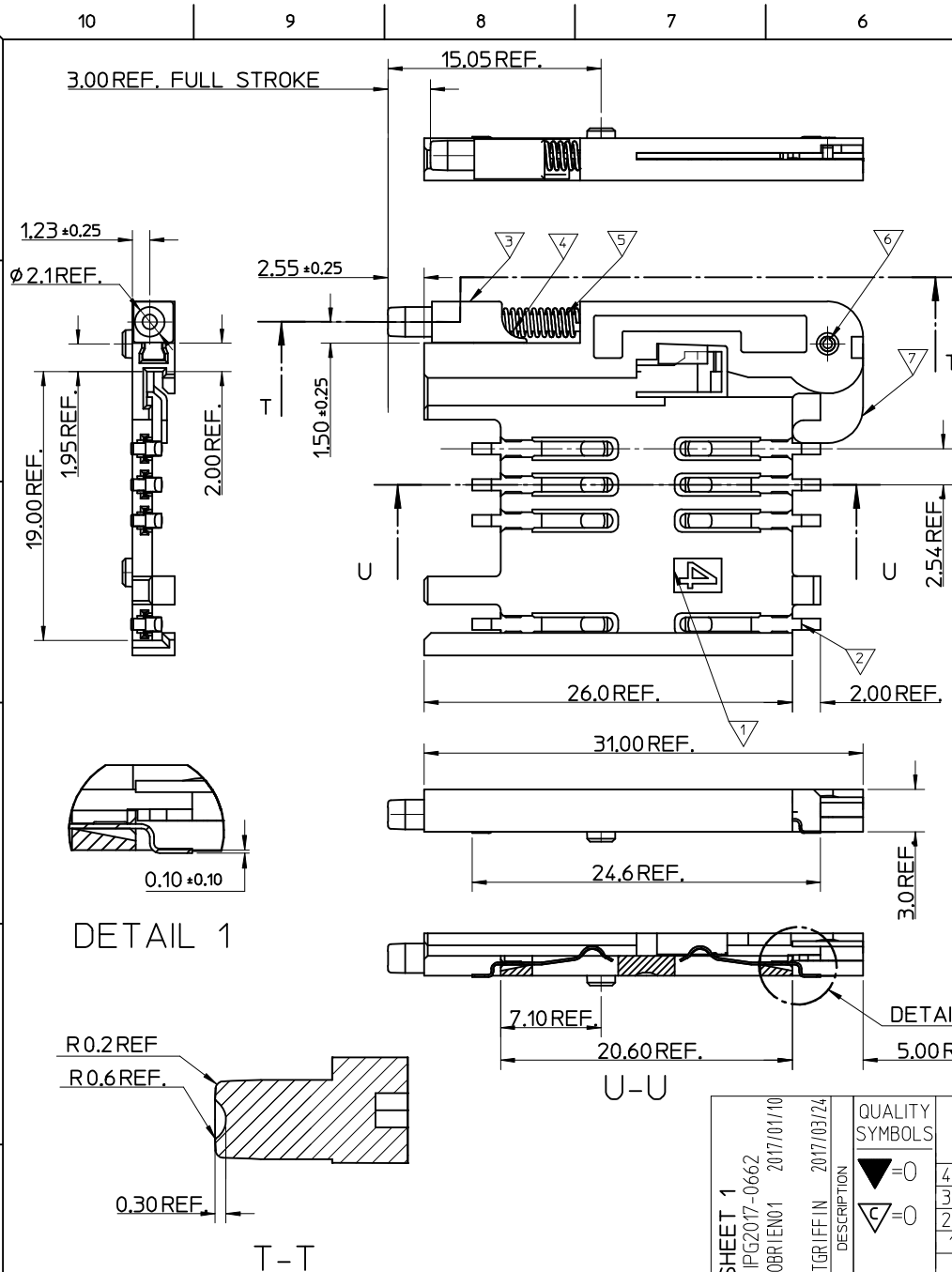


- NOTES:
- SEE PRODUCT SPECIFICATION PS-91228-004.
 - PACKAGING: TAPE & REEL, FOR DETAIL SEE SDA-91228-9001, SHEET 2.
 - SEE SHEET 1 FOR ALL UNSPECIFIED NOTES AND DIMENSIONS.
 - ALLOWABLE FLASH IN THIS AREA 0.3mm MAX.



ITEM	COMPONENT	QTY	MATERIAL
1	HOUSING	1	LIQUID CRYSTAL POLYMER (LCP) 30% GLASS FILL, UL94 V-0, COLOUR: BLACK
2	TERMINAL	8	0.15 PHOSPHOR BRONZE. 0.14mm MIN Au OVER Pd/Ni IN CONTACT AREA 2.54mm MIN Sn ON SMT TAILS
3	PUSH BUTTON	1	GF POLYAMIDE 6T/66, NATURAL
4	COIL SPRING	1	0.25 REF THK STAINLESS STEEL
5	PUSH ROD	1	0.4 REF THK STAINLESS STEEL
6	C-PIN	1	STEEL
7	LEVER	1	0.4 REF THK STAINLESS STEEL

SEE SHEET 1 EC NO: IPGZ07-0662 DRW: KOBRIEN01 2017/01/10 CHKD: APPR: STGRIFFIN 2017/03/24	QUALITY SYMBOLS	GENERAL TOLERANCES (UNLESS SPECIFIED)	DIMENSION STYLE	SCALE	DESIGN UNITS	THIRD ANGLE PROJECTION	
	$\nabla = 0$ $\nabla C = 0$	mm INCH 4 PLACES ± --- ± --- 3 PLACES ± --- ± --- 2 PLACES ± 0.05 ± --- 1 PLACE ± 0.1 ± --- ANGULAR ± 2°	MM ONLY	5:1	METRIC		
		DRAFT WHERE APPLICABLE MUST REMAIN WITHIN DIMENSIONS	DRAWN BY: RFORREY CHECKED BY: FDUGGAN APPROVED BY: EFOLAN MATERIAL NO. 912283005	DATE: 2006/11/27 DATE: 2006/11/27 DATE: 2006/11/27	TITLE: SIM CONNECTOR ASSY MOLEX INCORPORATED DOCUMENT NO. SD-91228-001 SHEET NO. 3 OF 5		
			SIZE: A3 THIS DRAWING CONTAINS INFORMATION THAT IS PROPRIETARY TO MOLEX INCORPORATED AND SHOULD NOT BE USED WITHOUT WRITTEN PERMISSION				



- NOTES:
1. SEE PRODUCT SPECIFICATION PS-99020-0071.
 2. PACKAGING: TAPE & REEL, FOR DETAIL SEE SDA-91228-9001, SHEET 2.
 3. SEE SHEETS 1 & 2 FOR ALL UNSPECIFIED NOTES AND DIMENSIONS.

ITEM	COMPONENT	QTY	MATERIAL
▽	HOUSING	1	LIQUID CRYSTAL POLYMER (LCP) 30% GLASS FILL, UL94 V-0, COLOUR: BLACK
▽	TERMINAL	8	0.15 PHOSPHOR BRONZE. 0.14mm MIN Au OVER Pd/Ni IN CONTACT AREA 2.54mm MIN Sn ON SMT TAILS
▽	PUSH BUTTON	1	GF POLYAMIDE 6T/66, BLACK.
▽	COIL SPRING	1	0.25 REF THK STAINLESS STEEL
▽	PUSH ROD	1	0.4 REF THK STAINLESS STEEL
▽	C-PIN	1	STEEL
▽	LEVER	1	0.4 REF THK STAINLESS STEEL

DETAIL 1

DETAIL 1

T-T

SEE SHEET 1
EC NO: PG2017-0662
DRWN: KOBRI/EM01 2017/01/10
CHKD:
APPR: STGR/FFIN 2017/03/24

QUALITY SYMBOLS
▽=0
▽=0

GENERAL TOLERANCES (UNLESS SPECIFIED)

	mm	INCH
4 PLACES	± ---	± ---
3 PLACES	± ---	± ---
2 PLACES	± 0.05	± ---
1 PLACE	± 0.1	± ---
ANGULAR ± 2 °		

DRAFT WHERE APPLICABLE
MUST REMAIN
WITHIN DIMENSIONS

DIMENSION STYLE
MM ONLY

DRAWN BY: RFORREY
DATE: 2006/11/27

CHECKED BY: FDUGGAN
DATE: 2006/11/27

APPROVED BY: EFOLAN
DATE: 2006/11/27

MATERIAL NO.
912283006

SCALE
5:1

DESIGN UNITS
METRIC

THIRD ANGLE PROJECTION

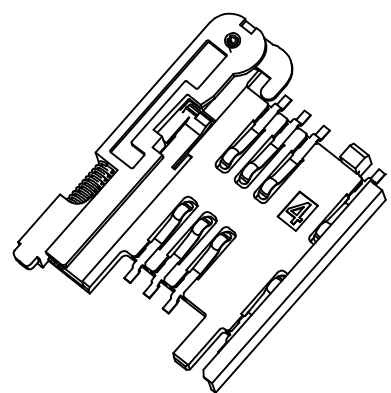
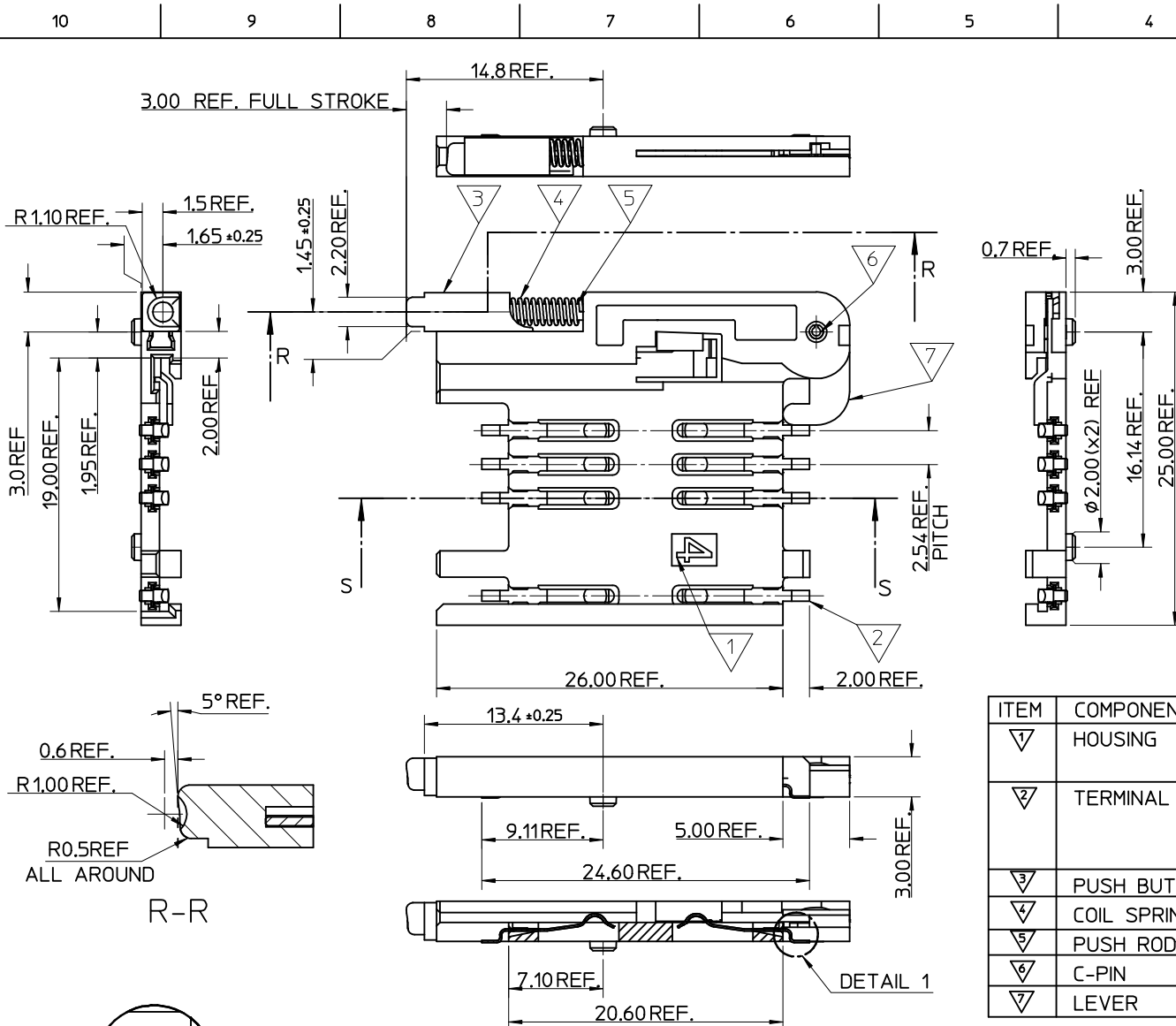
TITLE
SIM CONNECTOR ASSY

molex MOLEX INCORPORATED

DOCUMENT NO.
SD-91228-001

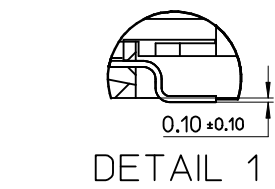
SHEET NO.
4 OF 5

THIS DRAWING CONTAINS INFORMATION THAT IS PROPRIETARY TO MOLEX INCORPORATED AND SHOULD NOT BE USED WITHOUT WRITTEN PERMISSION



- NOTES:
1. SEE PRODUCT SPECIFICATION PS-99020-0071.
 2. PACKAGING: TAPE & REEL, FOR DETAIL SEE SDA-91228-9001, SHEET 1.
 3. SEE SHEET 1 FOR ALL UNSPECIFIED NOTES AND DIMENSIONS.

ITEM	COMPONENT	QTY	MATERIAL
▽	HOUSING	1	LIQUID CRYSTAL POLYMER (LCP) 30% GLASS FILL, UL94 V-0, COLOUR: BLACK
▽	TERMINAL	8	0.15 PHOSPHOR BRONZE. 0.1μm MIN Au OVER Pd/Ni IN CONTACT AREA 2.5μm MIN Sn ON SMT TAILS
▽	PUSH BUTTON	1	GF POLYAMIDE 6T/66, BLUE
▽	COIL SPRING	1	0.25 REF THK STAINLESS STEEL
▽	PUSH ROD	1	0.4 REF THK STAINLESS STEEL
▽	C-PIN	1	STEEL
▽	LEVER	1	0.4 REF THK STAINLESS STEEL



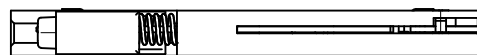
SEE SHEET 1	DESCRIPTION
EC NO: P92017-0662	DATE: 2017/01/10
DRW: KOBRIEN01	CHKD:
APPR: STORIFFIN	DATE: 2017/03/24
REV	

QUALITY SYMBOLS	GENERAL TOLERANCES (UNLESS SPECIFIED)
▽ = 0	mm
▽ = 0	INCH
	4 PLACES ± --- ± ---
	3 PLACES ± --- ± ---
	2 PLACES ± 0.05 ± ---
	1 PLACE ± 0.1 ± ---
	ANGULAR ± 2 °
	DRAFT WHERE APPLICABLE MUST REMAIN WITHIN DIMENSIONS

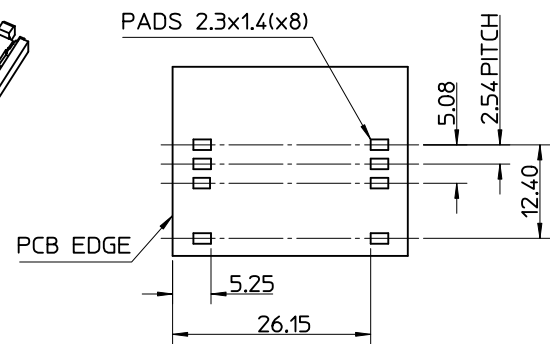
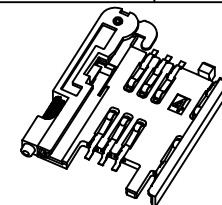
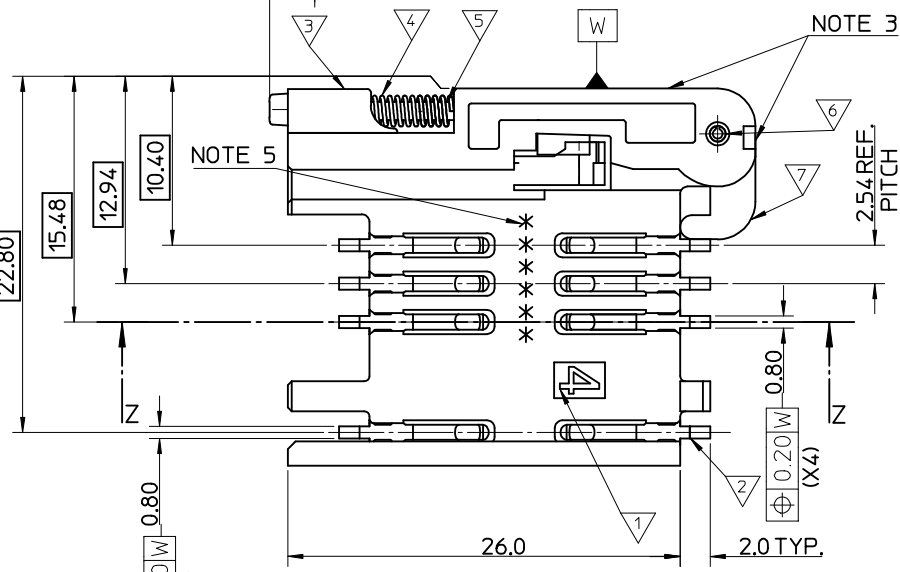
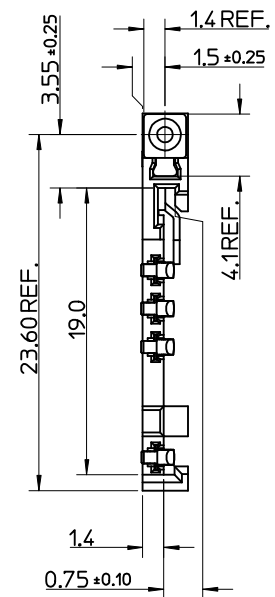
DIMENSION STYLE		SCALE	DESIGN UNITS	THIRD ANGLE PROJECTION
MM ONLY		5:1	METRIC	
DRAWN BY	DATE	TITLE		
RFORREY	2006/11/27	SIM CONNECTOR ASSY		
CHECKED BY	DATE			
FDUGGAN	2006/11/27			
APPROVED BY	DATE			
EFOLAN	2006/11/27			
MATERIAL NO.		DOCUMENT NO.		SHEET NO.
912283007		SD-91228-001		5 OF 5

MOLEX INCORPORATED	
THIS DRAWING CONTAINS INFORMATION THAT IS PROPRIETARY TO MOLEX INCORPORATED AND SHOULD NOT BE USED WITHOUT WRITTEN PERMISSION	

MATERIAL NUMBER	DESCRIPTION
912283001	REELED ONTO CARDBOARD REEL
912283019	REELED ONTO PLASTIC REEL



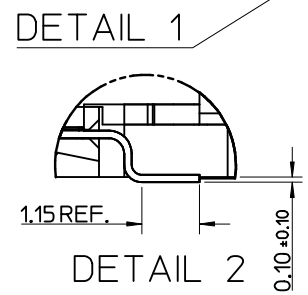
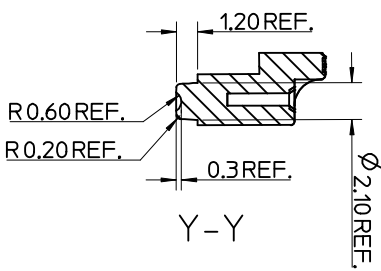
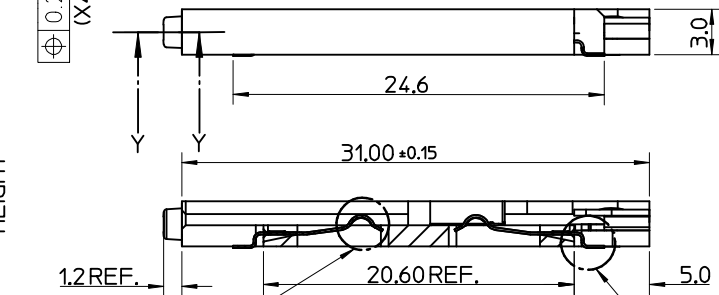
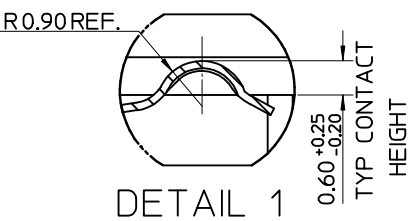
3.00 REF. FULL STROKE



RECOMMENDED PCB LAYOUT (COMPONENT SIDE)

- NOTES:
- SEE PRODUCT SPECIFICATION PS-99020-0071.
 - PACKAGING: TAPE & REEL, FOR DETAIL SEE SDA-91228-9001, SHEET 1
 - PUSH ROD/LEVER MUST NOT PROTRUDE BEYOND HOUSING EDGE IN THIS AREA.
 - TAILS ON EACH SIDE OF CONNECTOR TO LIE WITHIN 0.12 mm OF EACH OTHER
 - DATECODE: (YEAR, WEEK, WEEK, DAY, HOUR, HOUR)

ITEM	COMPONENT	QTY	MATERIAL
▽	HOUSING	1	LIQUID CRYSTAL POLYMER (LCP) 30% GLASS FILL, JL94 V-O, COLOUR: BLACK
▽	TERMINAL	8	0.15 PHOSPHOR BRONZE, 0.14μm MIN Au OVER Pd/Ni IN CONTACT AREA 2.54μm MIN Sn ON SMT TAILS
▽	PUSH BUTTON	1	GF POLYAMIDE 6T/66, YELLOW
▽	COIL SPRING	1	0.25 REF THK STAINLESS STEEL
▽	PUSH ROD	1	0.4 REF THK STAINLESS STEEL
▽	C-PIN	1	STEEL
▽	LEVER	1	0.4 REF THK STAINLESS STEEL



OBSOLETE P/N
EC NO: IPG2017-0662
DRW: KOBRIEN01 2017/01/10
CHKD:
APPR: STGRIFFIN 2017/03/24

QUALITY SYMBOLS
▽=0
∇=0

GENERAL TOLERANCES (UNLESS SPECIFIED)

	mm	INCH
4 PLACES	± ---	± ---
3 PLACES	± ---	± ---
2 PLACES	± 0.05	± ---
1 PLACE	± 0.1	± ---
ANGULAR ± 2 °		

DRAFT WHERE APPLICABLE MUST REMAIN WITHIN DIMENSIONS

DIMENSION STYLE
MM ONLY

DRAWN BY: RFORREY
DATE: 2006/11/27

CHECKED BY: FDUGGAN
DATE: 2006/11/27

APPROVED BY: EFOLAN
DATE: 2006/11/27

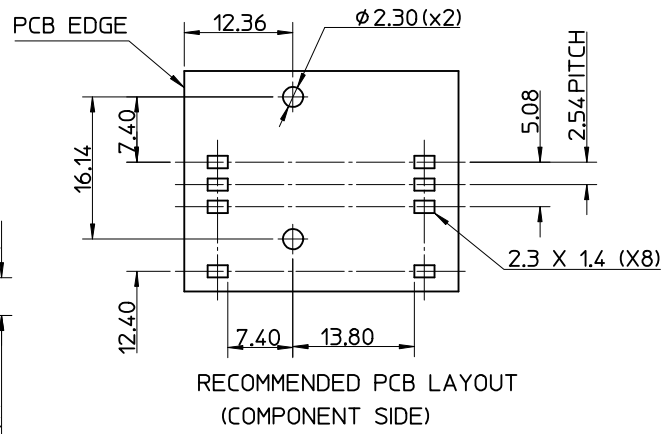
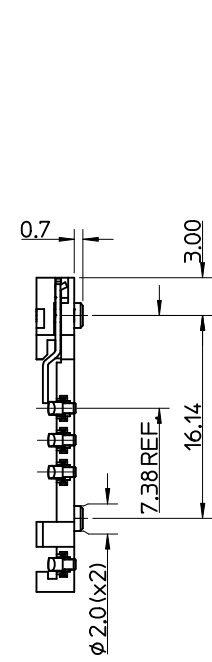
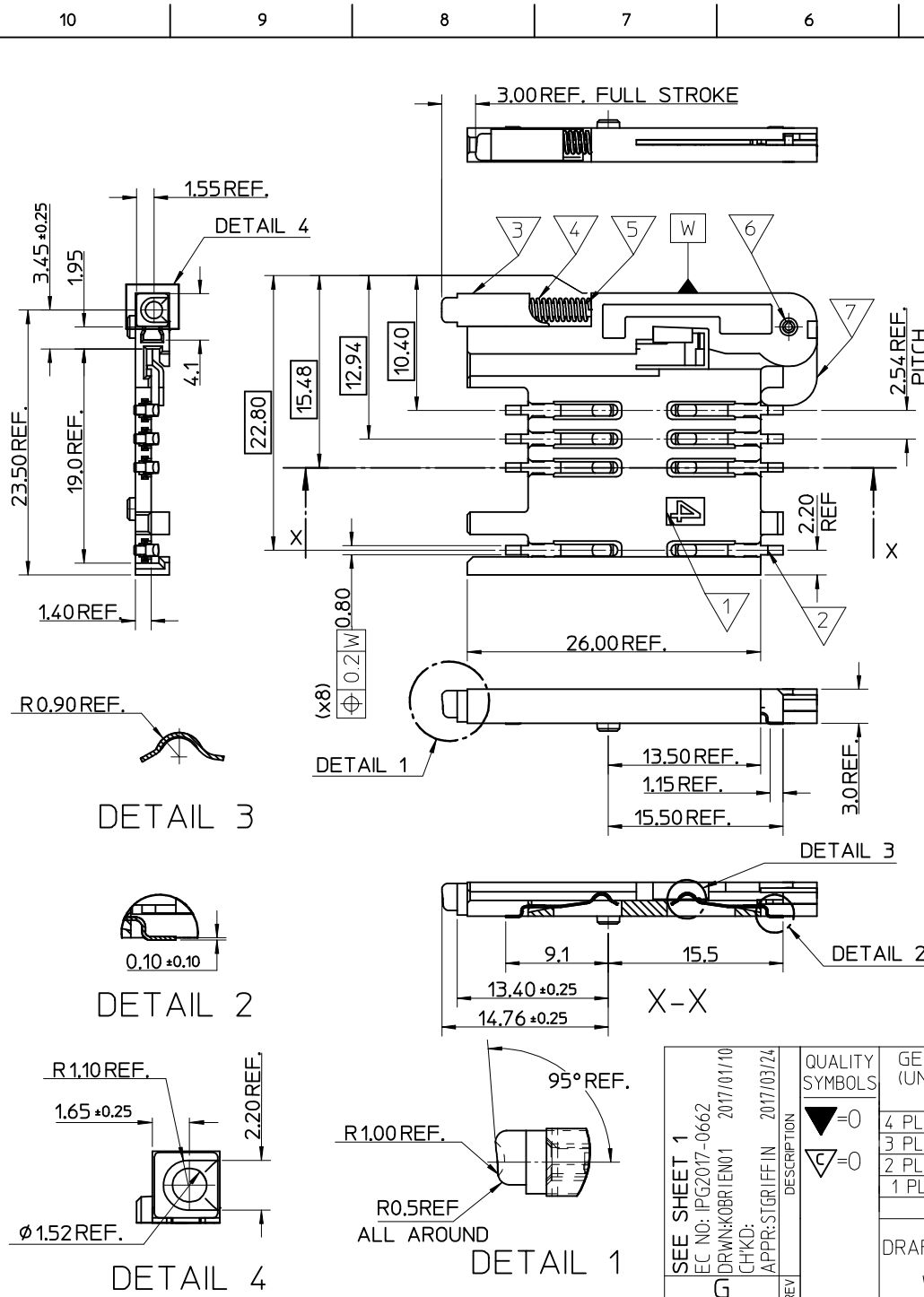
MATERIAL NO. SEE TABLE

SCALE: 5:1
DESIGN UNITS: METRIC
THIRD ANGLE PROJECTION

TITLE: SIM CONNECTOR ASSY

MOLEX INCORPORATED
DOCUMENT NO. SD-91228-001
SHEET NO. 1 OF 5

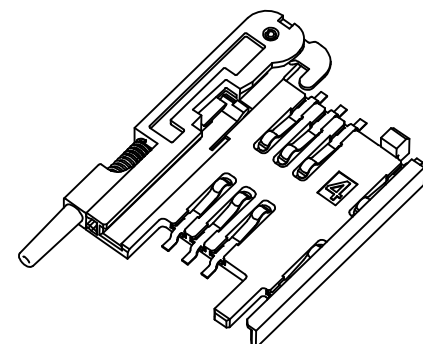
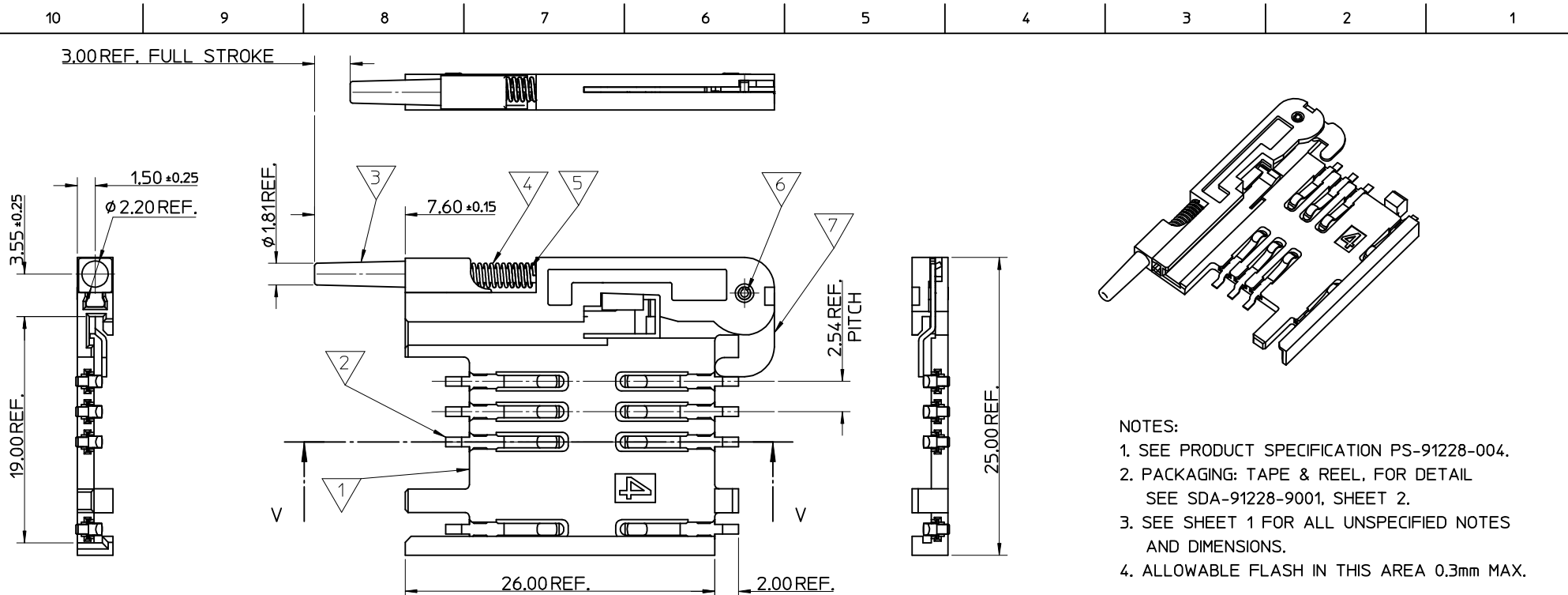
THIS DRAWING CONTAINS INFORMATION THAT IS PROPRIETARY TO MOLEX INCORPORATED AND SHOULD NOT BE USED WITHOUT WRITTEN PERMISSION



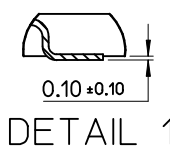
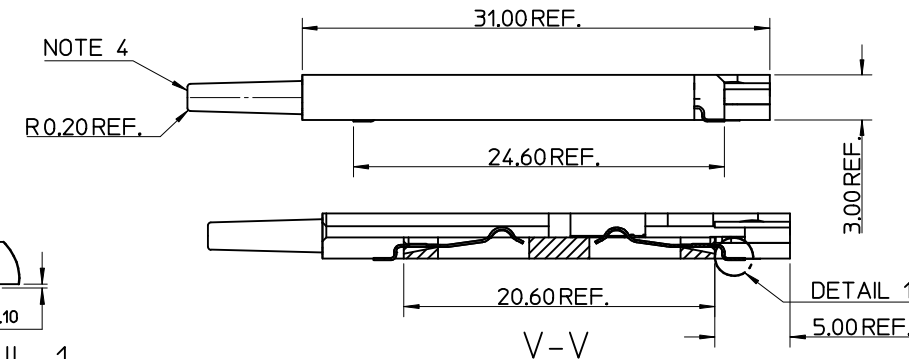
- NOTES:
1. SEE PRODUCT SPECIFICATION PS-99020-0071.
 2. PACKAGING: TAPE & REEL, FOR DETAIL SEE SDA-91228-9001, SHEET 1
 3. FOR ALL UNSPECIFIED DIMENSIONS AND NOTES SEE SHEET 1.

ITEM	COMPONENT	QTY	MATERIAL
▽	HOUSING		LIQUID CRYSTAL POLYMER (LCP) 30% GLASS FILL, UL94 V-0, COLOUR: BLACK
▽	TERMINAL		0.15 PHOSPHOR BRONZE. 0.14mm MIN Au OVER Pd/Ni IN CONTACT AREA 2.54mm MIN Sn ON SMT TAILS
▽	PUSH BUTTON		GF POLYAMIDE 6T/66. BLACK.
▽	COIL SPRING		0.25 REF THK STAINLESS STEEL
▽	PUSH ROD		0.4 REF THK STAINLESS STEEL
▽	C-PIN		STEEL
▽	LEVER		0.4 REF THK STAINLESS STEEL

SEE SHEET 1 EC NO: PG2017-0662 DRWN: KOBRI/EN01 2017/01/10 CHKD: APPR: STGR/FFIN 2017/03/24 REV	QUALITY SYMBOLS ▽=0 ▽=0	GENERAL TOLERANCES (UNLESS SPECIFIED) <table border="1"> <thead> <tr> <th></th> <th>mm</th> <th>INCH</th> </tr> </thead> <tbody> <tr> <td>4 PLACES</td> <td>± ---</td> <td>± ---</td> </tr> <tr> <td>3 PLACES</td> <td>± ---</td> <td>± ---</td> </tr> <tr> <td>2 PLACES</td> <td>± 0.05</td> <td>± ---</td> </tr> <tr> <td>1 PLACE</td> <td>± 0.1</td> <td>± ---</td> </tr> </tbody> </table>		mm	INCH	4 PLACES	± ---	± ---	3 PLACES	± ---	± ---	2 PLACES	± 0.05	± ---	1 PLACE	± 0.1	± ---	DIMENSION STYLE MM ONLY DRAWN BY: RFORREY DATE: 2006/11/27 CHECKED BY: DATE: APPROVED BY: FDUGGAN DATE: 2006/11/27 MATERIAL NO.	SCALE 5:1 DESIGN UNITS METRIC THIRD ANGLE PROJECTION	TITLE SIM CONNECTOR ASSY
		mm	INCH																	
	4 PLACES	± ---	± ---																	
	3 PLACES	± ---	± ---																	
2 PLACES	± 0.05	± ---																		
1 PLACE	± 0.1	± ---																		
DRAFT WHERE APPLICABLE MUST REMAIN WITHIN DIMENSIONS		MATERIAL NO. 912283002	MOLEX INCORPORATED DOCUMENT NO. SD-91228-001	SHEET NO. 2 OF 5																
THIS DRAWING CONTAINS INFORMATION THAT IS PROPRIETARY TO MOLEX INCORPORATED AND SHOULD NOT BE USED WITHOUT WRITTEN PERMISSION																				

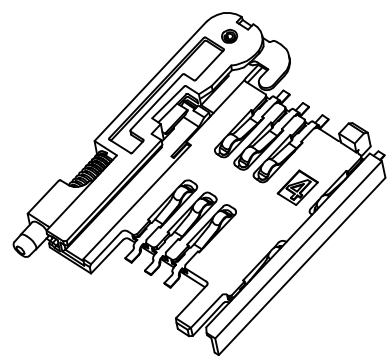
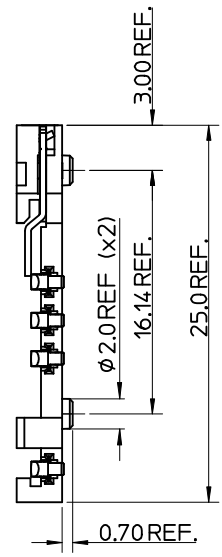
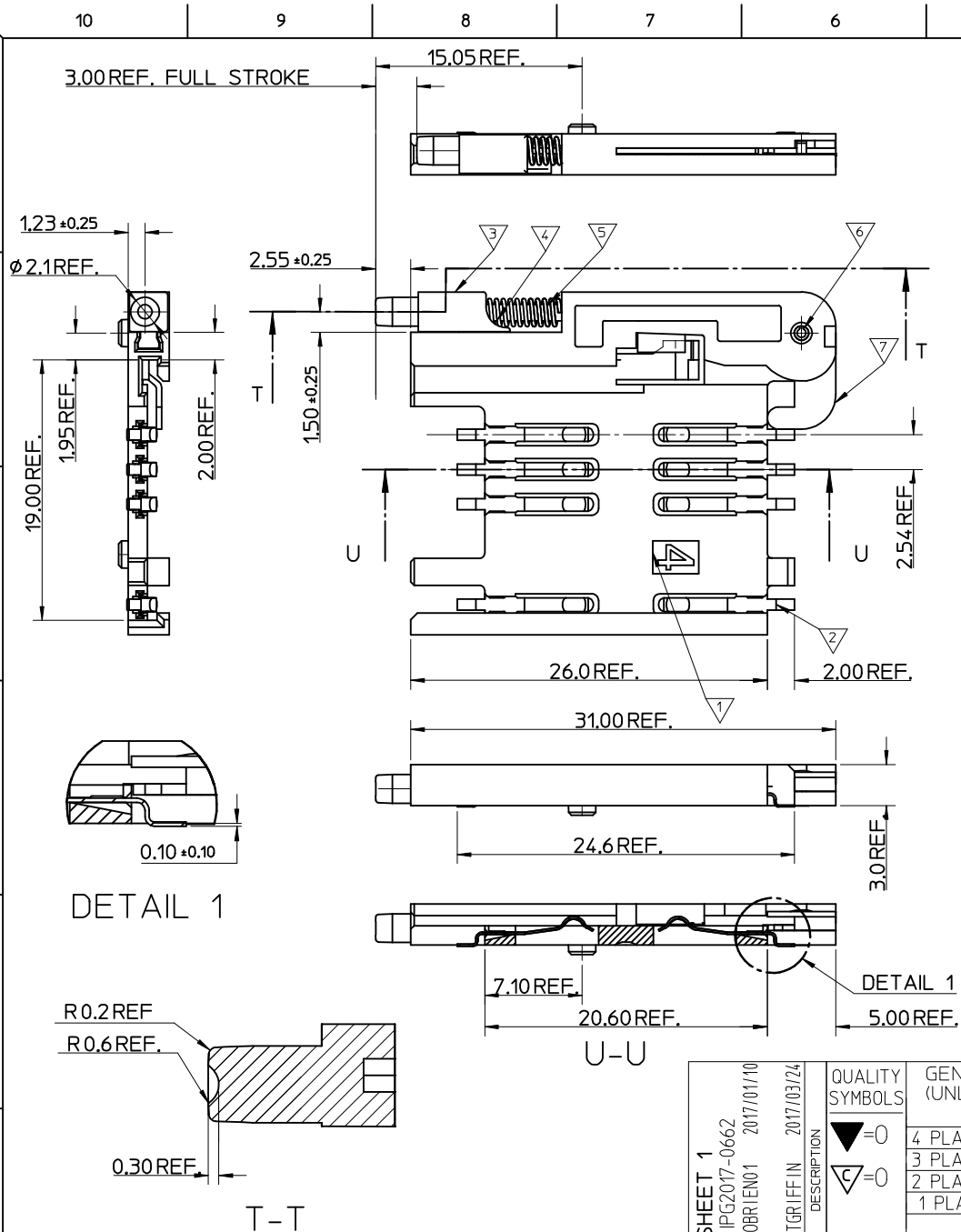


- NOTES:
1. SEE PRODUCT SPECIFICATION PS-91228-004.
 2. PACKAGING: TAPE & REEL, FOR DETAIL SEE SDA-91228-9001, SHEET 2.
 3. SEE SHEET 1 FOR ALL UNSPECIFIED NOTES AND DIMENSIONS.
 4. ALLOWABLE FLASH IN THIS AREA 0.3mm MAX.



ITEM	COMPONENT	QTY	MATERIAL
1	HOUSING	1	LIQUID CRYSTAL POLYMER (LCP) 30% GLASS FILL, UL94 V-0, COLOUR: BLACK
2	TERMINAL	8	0.15 PHOSPHOR BRONZE. 0.14mm MIN Au OVER Pd/Ni IN CONTACT AREA 2.54mm MIN Sn ON SMT TAILS
3	PUSH BUTTON	1	GF POLYAMIDE 6T/66, NATURAL
4	COIL SPRING	1	0.25 REF THK STAINLESS STEEL
5	PUSH ROD	1	0.4 REF THK STAINLESS STEEL
6	C-PIN	1	STEEL
7	LEVER	1	0.4 REF THK STAINLESS STEEL

SEE SHEET 1 EC NO: IPG2017-0662 DRW: KOBRIEN01 2017/01/10 CHKD: APPR: STGRIFFIN 2017/03/24	QUALITY SYMBOLS	GENERAL TOLERANCES (UNLESS SPECIFIED)	DIMENSION STYLE	SCALE	DESIGN UNITS	THIRD ANGLE PROJECTION	
	$\nabla = 0$ $\nabla C = 0$	mm INCH 4 PLACES ± --- ± --- 3 PLACES ± --- ± --- 2 PLACES ± 0.05 ± --- 1 PLACE ± 0.1 ± --- ANGULAR ± 2°	MM ONLY	5:1	METRIC		
		DRAFT WHERE APPLICABLE MUST REMAIN WITHIN DIMENSIONS	DRAWN BY: RFORREY CHECKED BY: FDUGGAN APPROVED BY: EFOLAN MATERIAL NO. 912283005	DATE: 2006/11/27 DATE: 2006/11/27 DATE: 2006/11/27	TITLE: SIM CONNECTOR ASSY MOLEX INCORPORATED DOCUMENT NO. SD-91228-001 SHEET NO. 3 OF 5		
			SIZE: A3 THIS DRAWING CONTAINS INFORMATION THAT IS PROPRIETARY TO MOLEX INCORPORATED AND SHOULD NOT BE USED WITHOUT WRITTEN PERMISSION				



- NOTES:
1. SEE PRODUCT SPECIFICATION PS-99020-0071.
 2. PACKAGING: TAPE & REEL, FOR DETAIL SEE SDA-91228-9001, SHEET 2.
 3. SEE SHEETS 1 & 2 FOR ALL UNSPECIFIED NOTES AND DIMENSIONS.

ITEM	COMPONENT	QTY	MATERIAL
▽	HOUSING	1	LIQUID CRYSTAL POLYMER (LCP) 30% GLASS FILL, UL94 V-0, COLOUR: BLACK
▽	TERMINAL	8	0.15 PHOSPHOR BRONZE. 0.14mm MIN Au OVER Pd/Ni IN CONTACT AREA 2.54mm MIN Sn ON SMT TAILS
▽	PUSH BUTTON	1	GF POLYAMIDE 6T/66, BLACK.
▽	COIL SPRING	1	0.25 REF THK STAINLESS STEEL
▽	PUSH ROD	1	0.4 REF THK STAINLESS STEEL
▽	C-PIN	1	STEEL
▽	LEVER	1	0.4 REF THK STAINLESS STEEL

DETAIL 1

DETAIL 1

T-T

SEE SHEET 1
EC NO: PG2017-0662
DRWN: KOBRI/EM01 2017/01/10
CHKD:
APPR: STGR/FFIN 2017/03/24

QUALITY SYMBOLS
▽=0
▽=0

GENERAL TOLERANCES (UNLESS SPECIFIED)

	mm	INCH
4 PLACES	± 0.15	± 0.006
3 PLACES	± 0.25	± 0.010
2 PLACES	± 0.50	± 0.020
1 PLACE	± 1.00	± 0.040

ANGULAR ± 2°

DRAFT WHERE APPLICABLE
MUST REMAIN WITHIN DIMENSIONS

DIMENSION STYLE
MM ONLY

SCALE
5:1

DESIGN UNITS
METRIC

THIRD ANGLE PROJECTION

DRAWN BY: RFORREY
DATE: 2006/11/27

CHECKED BY: FDUGGAN
DATE: 2006/11/27

APPROVED BY: EFOLAN
DATE: 2006/11/27

MATERIAL NO.
912283006

TITLE
SIM CONNECTOR ASSY

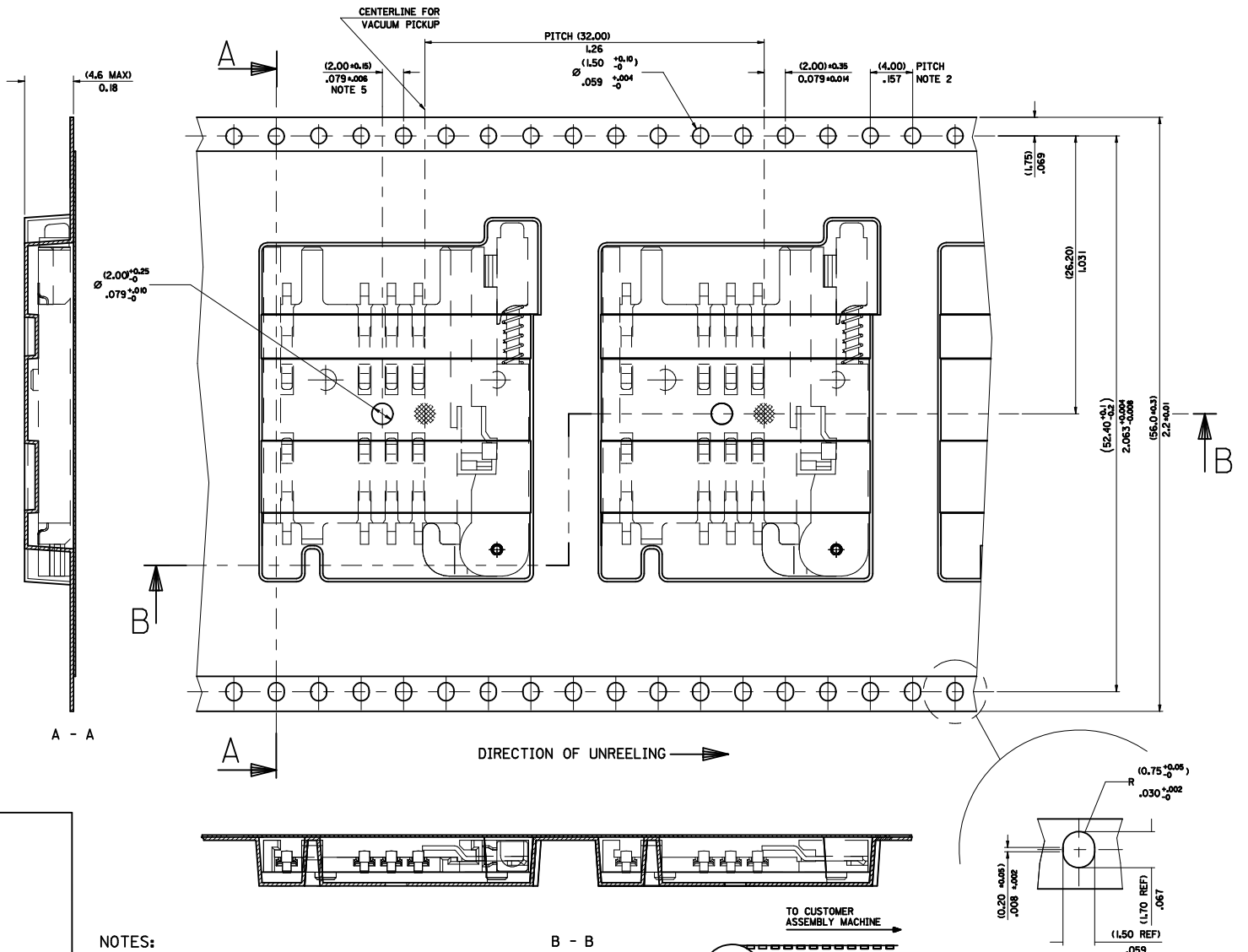
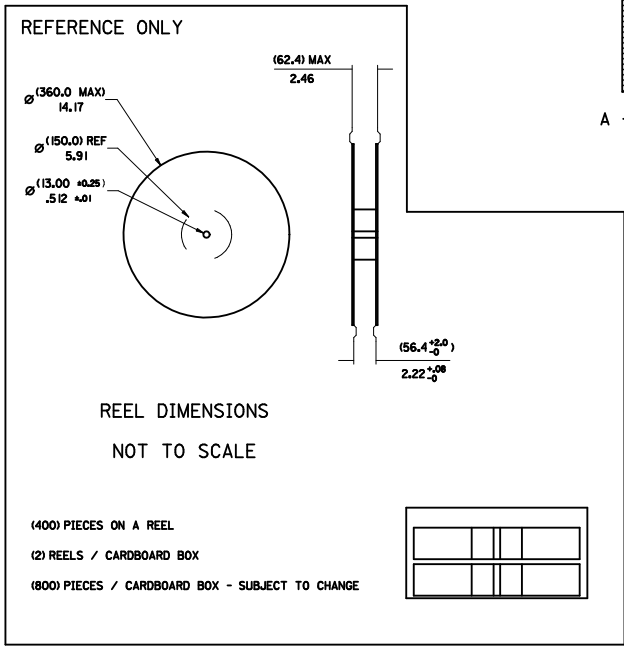
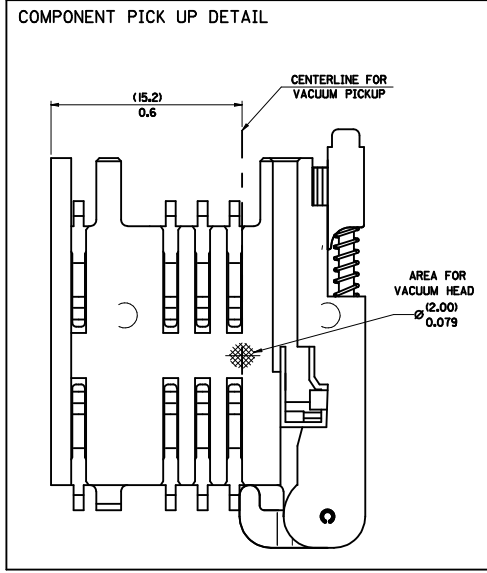
MOLEX INCORPORATED

DOCUMENT NO.
SD-91228-001

SHEET NO.
4 OF 5

THIS DRAWING CONTAINS INFORMATION THAT IS PROPRIETARY TO MOLEX INCORPORATED AND SHOULD NOT BE USED WITHOUT WRITTEN PERMISSION

PART NO	DESCRIPTION	TYPE OF REEL
91228-0001 & 91228-3001	SIM CONNECTOR WITHOUT PEGS	CARDBOARD
91228-0002 & 91228-3002	SIM CONNECTOR WITH PEGS	CARDBOARD
91228-0012 & 91228-3012	SIM CONNECTOR WITH PEGS	CARDBOARD
91228-0007 & 91228-3007	SIM CONNECTOR WITH PEGS	CARDBOARD
91228-3019	SIM CONNECTOR WITHOUT PEGS	PLASTIC



- NOTES:
- 1) MATERIAL :
CARRIER TAPE : VOLUME CONDUCTIVE POLYSTYRENE, 0.40 REF THICK, BLACK
COVER TAPE : COLD SEAL POLYESTER, 0.08 REF THICK TRANSPARENT
 - 2) PITCH TOLERANCE OVER ANY 10 PITCHES + 0.2 MM
 - 3) REEL FORCE OF THE COVER TAPE IS 0.1 N TO 1.0 N
AT A MAXIMUM REEL SPEED OF 300 MM/MIN + 10%
 - 4) PACKAGING SPEC, PK-91228-002
 - 5) REFERENCE TO IEC 286-3 EXCEPT WHERE NOTED

ADD REEL OPTION
EC NO: E2012-0058
DRAWN BY: DRWN:SDSHEA
CHKD:SMCGREY
APPROVED: ANPR:FEOLAN2011/08/31
2011/09/01
2011/10/13

QUALITY SYMBOLS	GENERAL TOLERANCES (UNLESS SPECIFIED)	
	mm	INCH
▽=0	4 PLACES ± .---	± .---
▽=0	3 PLACES ± .---	± .---
	2 PLACES ± 0.10	± .---
	1 PLACE ± 0.20	± .---
	ANGULAR ± 2 °	

DRAFT WHERE APPLICABLE MUST REMAIN WITHIN DIMENSIONS

DIMENSION STYLE		SCALE	DESIGN UNITS	THIRD ANGLE PROJECTION
MM/IN	1:1	METRIC		

MOLEX REEL

SCALE 10:1

BLISTER PACKAGING
SIM CARD PCB HOUSING

MOLEX INCORPORATED

SDA-91228-9001

SHEET NO. 1 OF 4

THIS DRAWING CONTAINS INFORMATION THAT IS PROPRIETARY TO MOLEX INCORPORATED AND SHOULD NOT BE USED WITHOUT WRITTEN PERMISSION